

| | | | | | | | | |
|------------|-------------|-------|-------|-------|--|----|------|------------|
| EN 60598-1 | 230V / 50Hz | IP 65 | IP 55 | IK 10 | | CE | RoHS | 70W / 125W |
|------------|-------------|-------|-------|-------|--|----|------|------------|

RAINBOW CLOUD

Domeniul de utilizare: Iluminatul ornamental de exterior

Descriere:

Dispensor: PC opal sau transparent satinat

Capac: PC negru

Braț aplică: Din PC - se livrează doar la cerere

Stâlp de fixare: Diametru de 60mm (adâncimea de inserție - 40mm)

Sursa: Sodiu, mercur (RAINBOW), lampă fluorescentă compactă, lampă halogen eco-clasică, incandescentă (CLOUD)

Dulie: E27

Standard: SR EN 60598-1

Application: Outdoor decorative lighting

Description:

Diffuser: Opal or satinated transparent PC

Top: Black PC

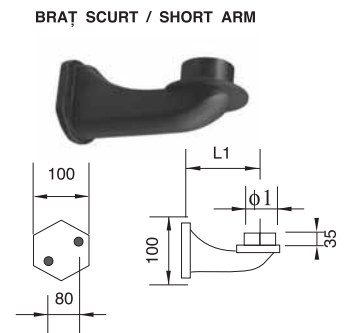
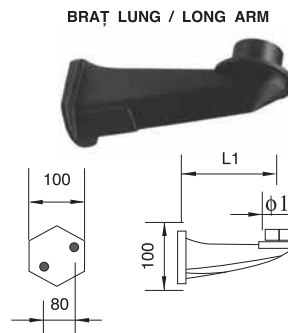
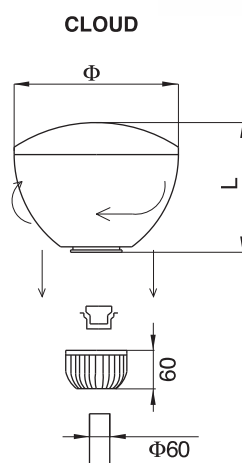
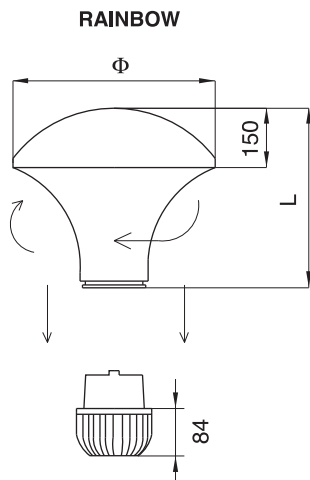
Console: Black PC - supplied only on request

Fixing pole: Diameter 60mm (insertion depth - 40mm)

Source: Sodium, mercury (RAINBOW), compact fluorescent lamp, eco-classic halogen lamp, incandescent (CLOUD)

Socket: E 27

Standard: SR EN 60598-1



| | Tip/Type | Cod produs/ Product code | Dimensiuni/ Dimensions [mm] | | Dispensor/ Diffuser | Masa/ Weight [kg] | Lampa/ Lamp |
|----------------|----------|-----------------------------|--------------------------------|-----|------------------------------------|----------------------|----------------|
| | | | φ | L | | | |
| RAINBOW | 70W | 34411005 | 500 | 401 | opal / opal | 1.75 | HSE-I |
| | 70W | 34411004 | 500 | 401 | transparent / clear | 1.75 | |
| | 125W | 33421842 | 500 | 401 | opal / opal | 1.75 | HME |
| | 125W | 33421843 | 500 | 401 | transparent / clear | 1.75 | |
| CLOUD | 23W | 77703137 | 300 | 255 | opal / opal transparent / clear | 1.13 | TC-TSE |
| | 100W | 77701089 | 300 | 255 | opal / opal transparent / clear | 1.13 | A60 / LH |

Accesorii/accessories

| Tip/Type | Cod produs/ Product code | Dimensiuni/ Dimensions [mm] | |
|---------------------------|-----------------------------|--------------------------------|-----|
| | | φ1 | L1 |
| Braț scurt / Short arm | 99900053 | 60 | 158 |
| Braț lung / long arm | 99900054 | 60 | 215 |



EN 60598-1 | **230V / 50Hz** | **IP 65** | | | **RoHS** | **50W / 70W**



Domeniul de utilizare: Iluminatul ornamental de exterior

Application: Outdoor decorative lighting

Descriere:

Description:

Dispensor: PC opal sau transparent satinat

Diffuser: Opal or satinated transparent PC

Capac: PC negru sau gri

Upper part: Black or grey PC

Braț aplică: Din PC - se livrează doar la cerere

Console: Black PC - supplied only on request

Stâlp: Diametru de 60mm (adâncimea de inserție - 40mm)

Pole: Diameter 60mm (insertion depth - 40mm)

Sursa: Sodiu (HSE-I)

Source: Sodium (HSE-I)

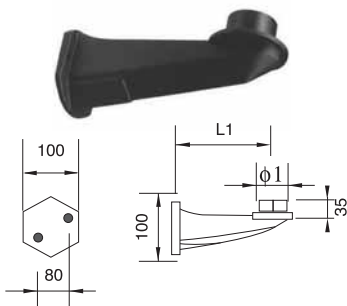
Dulie: E27

Socket: E 27

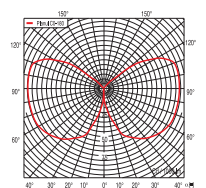
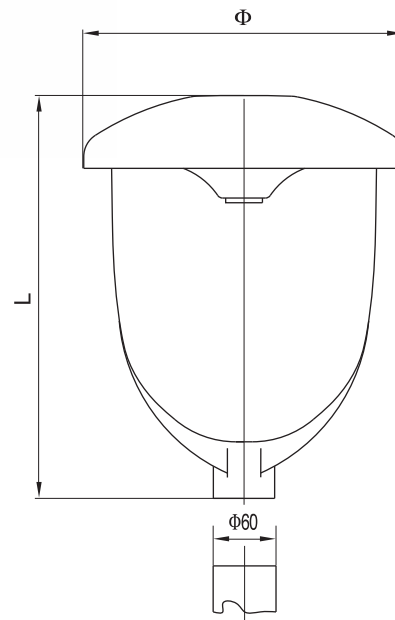
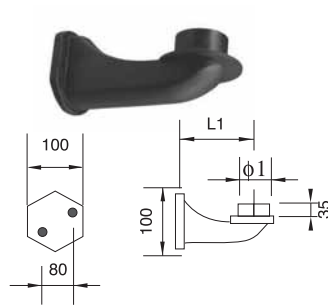
Standard: SR EN 60598-1

Standard: SR EN 60598-1

BRAȚ LUNG / LONG ARM



BRAȚ SCURT / SHORT ARM



pg.321

Accesorii/accesories

| Tip/Type | Cod produs/ Product code | Dimensiuni/ Dimensions [mm] | |
|---------------------------|-----------------------------|--------------------------------|-----|
| | | φ1 | L1 |
| Braț scurt / Short arm | 99900053 | 60 | 158 |
| Braț lung / long arm | 99900054 | 60 | 215 |

| Tip/Type | Cod produs/ Product code | Dimensiuni/ Dimensions [mm] | | Culoare/ Colour | Dispensor/ Diffuser | Lampa/ Lamp |
|----------|-----------------------------|--------------------------------|-----|-------------------------|------------------------------------|----------------|
| | | φ | L | | | |
| 70W | 77700594 | 340 | 405 | negru/black | transparent / clear | HSE-I |
| 70W | 77700014 | 340 | 405 | negru/black | opal / opal | |
| 70W | 77701703 | 340 | 405 | gri/gray | transparent / clear | |
| 70W | 77700446 | 340 | 405 | gri/gray | opal / opal | |
| 50W | 77701090 | 340 | 405 | negru/black gri/gray | transparent / clear opal / opal | |



EN 60598-1 230V / 50Hz IP 44 RoHS 60W / 70W / 75W / 100W / 150W

Domeniul de utilizare: Iluminatul ornamental de exterior

Application: Outdoor decorative lighting

Descriere:

Description:

Dispensor: PC opal (GLOBOLUX) sau PMMA fumuriu, rezistent la șocuri, cu fixare prin sistem baionet

Diffuser: Opal PC (GLOBOLUX) or PMMA smoky, shock resistant, bayonet fixing system

Flanșă de fixare: PC

Fixing flange: PC

Braț aplică: Din PC - se livrează doar la cerere

Console: Black PC - supplied only on request

Stâlp: Diametru de 60mm (adâncimea de inserție - 40mm)

Pole: Diameter 60mm (insertion depth - 40mm)

Sursa: Incandescentă, lampă halogen eco-clasică, lampă fluorescent compactă

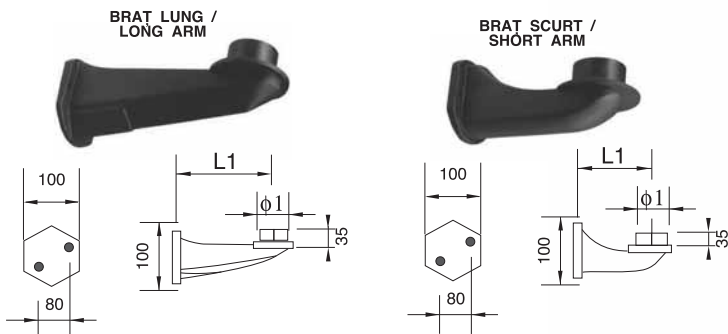
Source: Incandescent, eco-classic halogen lamp, compact fluorescent lamp

Dulie: E27

Socket: E 27

Standard: SR EN 60598-1

Standard: SR EN 60598-1



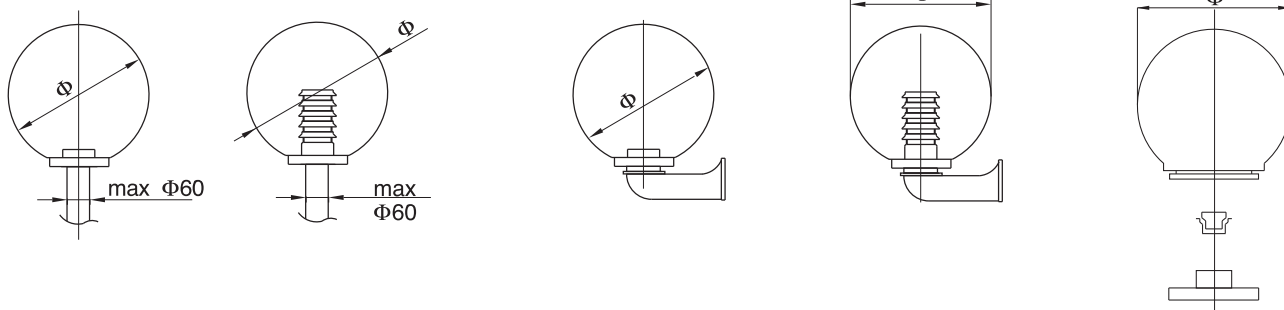
GLOBOLUX

GLOBOLUX cu reflector / with reflector

GLOBOLUX

GLOBOLUX cu reflector / with reflector

GLOBOLIGHT



GLOBOLIGHT

| Tip/Type | Cod produs/ Product code | Dimensiuni/ Dimensions [mm] | Dispensor/ Diffuser | Masa/ Weight [kg] | Lampa/ Lamp |
|----------|-----------------------------|-----------------------------------|------------------------|-------------------------|----------------|
| 75W | 77700417 | 250 | fumuriu / smoky | 0.70 | A60/LH/ |
| 100W | 77703138 | 300 | fumuriu / smoky | 1.05 | TC-TSE |

GLOBOLUX

| | | | | | |
|------|----------|-----|-----------------|------|-------------------|
| 60W | 77700459 | 200 | fumuriu / smoky | 0.60 | A60/LH/ TC-TSE |
| 60W | 77700454 | 200 | opal / opal | 0.60 | |
| 75W | 77700460 | 250 | fumuriu / smoky | 0.70 | |
| 75W | 77700455 | 250 | opal / opal | 0.70 | |
| 100W | 77700461 | 300 | fumuriu / smoky | 1.05 | |
| 100W | 77700456 | 300 | opal / opal | 1.05 | |
| 100W | 77700911 | 400 | fumuriu / smoky | 2.00 | |
| 100W | 77700457 | 400 | opal / opal | 2.00 | |
| 150W | 77700462 | 500 | fumuriu / smoky | 2.08 | |
| 150W | 77700458 | 500 | opal / opal | 2.08 | |

Accesorii/accesories

| Tip/Type | Cod produs/ Product code | Dimensiuni/ Dimensions [mm] | |
|---------------------------|-----------------------------|-----------------------------------|-----|
| | | φ1 | L1 |
| Braț scurt / Short arm | 99900053 | 60 | 158 |
| Braț lung / long arm | 99900054 | 60 | 215 |
| Reflector / Reflector | 03204476 | | |



EN 60598-1 230V / 50Hz IP 44 RoHS 75W / 100W



Domeniul de utilizare: Iluminatul ornamental de exterior

Descriere:

Flanșă de fixare: Din PC

Dispensur: Din PMMA fumuriu sau opal mat, rezistent la șocuri, cu fixare prin sistem baionet

Reflector: Pentru variantele (R) din tablă de oțel vopsit alb

Braț aplică: Din PC - se livrează doar la cerere

Stâlp: Diametru de 60mm (adâncimea de inserție - 40mm)

Sursa: Incandescentă, lampă halogen eco-clasic, lampă fluorescent compactă

Dulie: E27

Standard: SR EN 60598-1

Application: Outdoor decorative lighting

Description:

Fixing flange: PC

Diffuser: Smoky PMMA or opal PC, shock resistant, bayonet fixing system

Reflector: White painted steel sheet for (R) versions

Console: Black PC - supplied only on request

Pole: Diameter 60mm (insertion depth - 40mm)

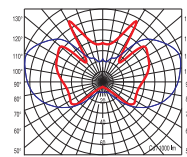
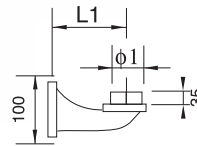
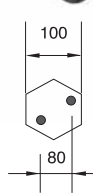
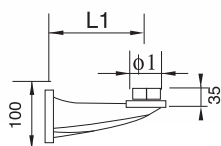
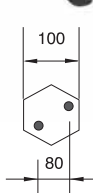
Source: Incandescent, eco-classic halogen lamp, compact fluorescent lamp

Socket: E27

Standard: SR EN 60598-1

BRAT LUNG / LONG ARM

BRAT SCURT / SHORT ARM



pg.321

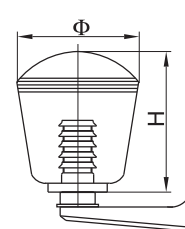
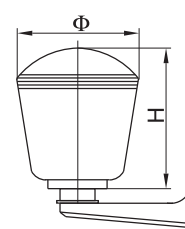
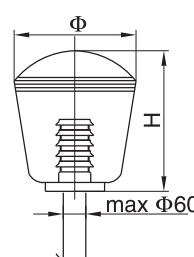
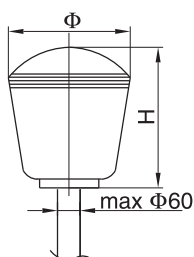
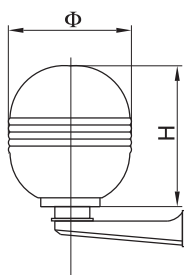
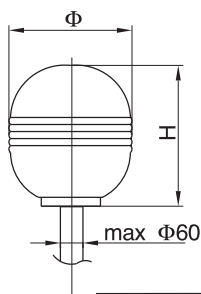
COMETA

IADI

IADI cu/with reflector

IADI

IADI cu/with reflector



COMETA

IADI

| Tip/Type | Cod produs/ Product code | Dimensiuni/ Dimensions [mm] | | Dispensur/ Diffuser | Masa/ Weight [kg] | Lampa/ Lamp |
|----------|-----------------------------|-----------------------------------|-----|------------------------|-------------------------|-------------------|
| | | φ | L | | | |
| COMETA | 75W | 77700585 | 200 | fumuriu / smoky | 0.70 | A60/LH/ TC-TSE |
| | 75W | 77700584 | 200 | opal / opal | 0.70 | |
| | 100W | 77700609 | 250 | fumuriu / smoky | 1.05 | |
| | 100W | 77700425 | 250 | opal / opal | 1.05 | |
| | 100W | 77700923 | 350 | fumuriu / smoky | 2.00 | |
| | 100W | 77700424 | 350 | opal / opal | 2.00 | |
| IADI | 75W | 77700581 | 200 | opal / opal | 0.70 | A60/LH/ TC-TSE |
| | 75W | 77700582 | 200 | fumuriu / smoky | 0.70 | |
| | 100W | 77700423 | 250 | opal / opal | 1.05 | |
| | 100W | 77700422 | 250 | fumuriu / smoky | 1.05 | |
| | 100W | 77700627 | 350 | opal / opal | 2.00 | |
| | 100W | 77700626 | 350 | fumuriu / smoky | 2.00 | |

Accesorii/accessories

| Tip/Type | Cod produs/ Product code | Dimensiuni/ Dimensions [mm] | |
|---------------------------|-----------------------------|-----------------------------------|-----|
| | | φ | L |
| Braț scurt / Short arm | 99900053 | 60 | 158 |
| Braț lung / long arm | 99900054 | 60 | 215 |
| Reflector / Reflector | 03204476 | | |



EN 60598-1 230V / 50Hz IP 44 IP 45 IK 06 650°C CE RoHS 70W / 125W

Domeniul de utilizare: Iluminatul ornamental de exterior

Application: Outdoor decorative lighting

Descriere:

Description:

Flașă de fixare: Din PC

Fixing flange: PC

Dispersor: Din PMMA fumuriu sau alb mat, rezistent la șocuri, cu fixare prin sistem baionet

Diffuser: Smoky or white PMMA diffusers, shock resistant, bayonet fixing system

Reflector: Pentru variantele (R) din tablă de oțel, vopsit alb

Reflector: White painted steel sheet for (R) versions

Aparataj de amorsare: Inclus în corp

Lamp ignition gear: Included

Stâlp de fixare: Diametru de 60mm (adâncimea de inserție - 40mm)

Fixing pole: Diameter 60mm (insertion depth - 40mm)

Sursa: Vaporii mercur, vaporii sodiu, funcție de aparatul ce echipează produsul

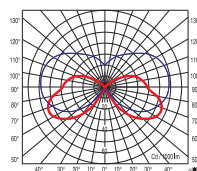
Source: Mercury or sodium vapour lamps, depending on the gear

Dulie: E27

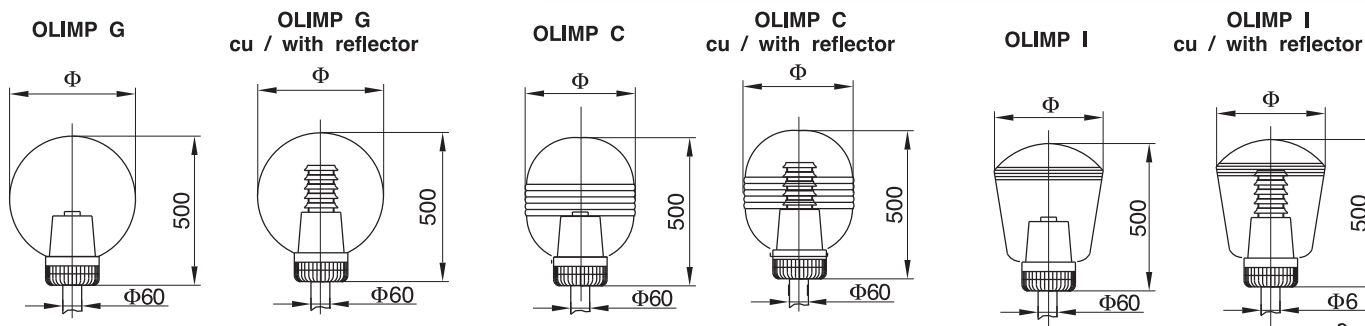
Socket: E27

Standard: SR EN 60598-1

Standard: SR EN 60598-1



pg.321



| Tip/Type | Cod produs/ Product code | Factor de putere/ Power factor | Dimensiuni/ Dimensions [mm] | Dispersor/ Diffuser | Culoare/ Colour | Masa / Weight [kg] | | Lampa/ Lamp |
|-----------|-----------------------------|-----------------------------------|--------------------------------|---------------------------|--------------------|--------------------------------------|---------------------------------|---------------------|
| | | | | | | fără reflector/ without reflector | cu reflector/ with reflector | |
| I 125W | 33421816 | min. 0.92 | 350 | tronconic (I) / tronconic | opal / opal | 3.70 | 4.10 | HME HSE-I HSE |
| I 125W | 33421810 | min. 0.92 | 350 | tronconic (I) / tronconic | fumuriu / smoky | 3.70 | 4.10 | |
| G 70W | 34411003 | min. 0.92 | 400 | sferic (G) / spherical | opal / opal | 3.70 | 4.10 | |
| G 70W | 34411001 | min. 0.92 | 400 | sferic (G) / spherical | fumuriu / smoky | 3.70 | 4.10 | |
| G 125W | 33421817 | min. 0.92 | 400 | sferic (G) / spherical | opal / opal | 3.70 | 4.10 | |
| G 125W | 33421812 | min. 0.92 | 400 | sferic (G) / spherical | fumuriu / smoky | 3.70 | 4.10 | |
| C 125W | 33421818 | min. 0.92 | 350 | cilindric (C) / cilindric | opal / opal | 3.70 | 4.10 | |
| C 125W | 33421814 | min. 0.92 | 350 | cilindric (C) / cilindric | fumuriu / smoky | 3.70 | 4.10 | |
| Reflector | 03204476 | | | | | | | |

| Piese de schimb / Spare parts | Cod / code |
|---------------------------------|------------|
| Dispersor I φ 350 opal/opal | 77700421 |
| Dispersor I φ 350 fumuriu/smoky | 77700608 |
| Dispersor G φ 400 opal/opal | 77700475 |
| Dispersor G φ 400 fumuriu/smoky | 77700445 |
| Dispersor C φ 350 opal/opal | 77700476 |
| Dispersor C φ 350 fumuriu/smoky | 77700578 |

Dispersor / Diffuser

| | | | | | | | | |
|------------|-------------|-------|-------|--|-------|--|------|------------------|
| EN 60598-1 | 230V / 50Hz | IP 43 | IK 07 | | 650°C | | RoHS | 70W / 80W / 125W |
|------------|-------------|-------|-------|--|-------|--|------|------------------|



Domeniul de utilizare: Iluminatul ornamental de exterior

Descriere:

Flanșa de fixare: Din aliaj de aluminiu turnat sub presiune

Capac superior: Din tablă de oțel vopsit negru, gri, alb, galben

Dispensur: Din PMMA, rezistent la șocuri

Stâlp de fixare: max. Φ 52mm

Sursa: Mercur (HME), sodiu (HSE)

Dulie: E27

Standard: SR EN 60598-1

Application: Outdoor decorative lighting

Description:

Fixing flange: Diecast aluminum alloy

Top: Black, grey, white, yellow painted steel sheet

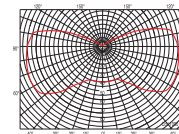
Diffuser: PMMA, shock resistant

Fixing pole: Max. Φ 52mm

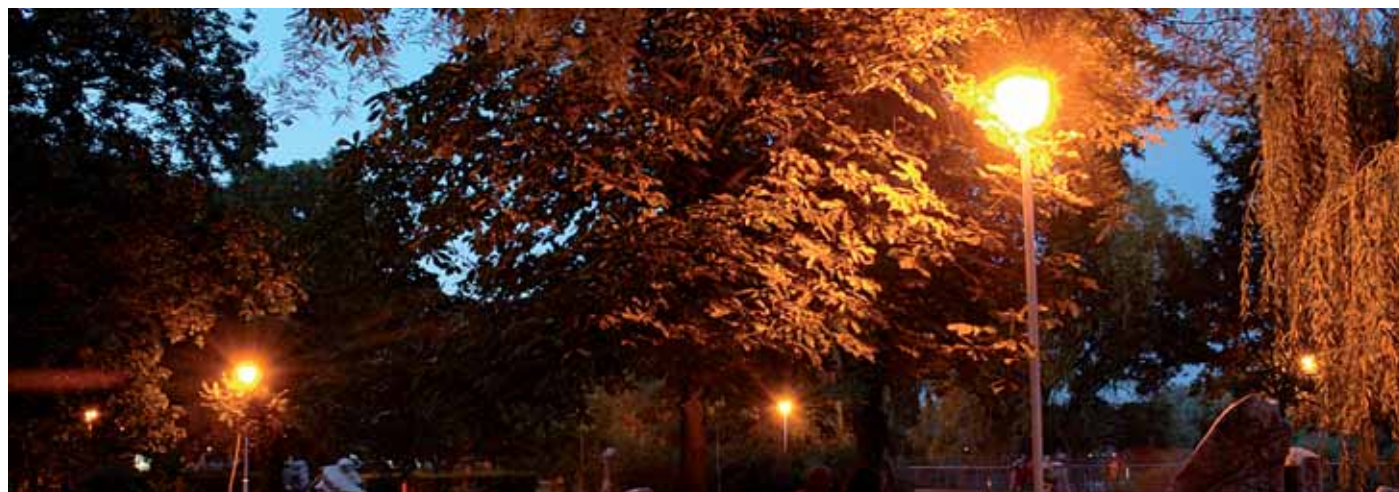
Source: Mercury (HME), sodium (HSE)

Socket: E 27

Standard: SR EN 60598-1



| | Tip/Type | Cod produs/ Product code | Dimensiuni/Dimensions [mm] | | Factor de putere / Power factor | Masa/ Weight [kg] | Lampa/ Lamp |
|------|------------------------|-----------------------------|-------------------------------|-----|------------------------------------|-------------------------|----------------|
| | | | φ | L | | | |
| PVC | 1x80W negru / black | 33421610 | 415 | 503 | min. 0.92 | 6.45 | HME |
| | 1x125W negru / black | 33431616 | 415 | 503 | min. 0.92 | 6.50 | |
| | 1x80W alb / white | 33421611 | 415 | 503 | min. 0.92 | 6.45 | |
| | 1x80W gri / grey | 33421612 | 415 | 503 | min. 0.92 | 6.45 | |
| | 1x125W alb / white | 33421619 | 415 | 503 | min. 0.92 | 6.50 | |
| PVSC | 1x125W galben / yellow | 33421625 | 415 | 503 | min. 0.92 | 6.50 | HSE |
| | 1x70W negru / black | 34421610 | 415 | 503 | min. 0.92 | 6.70 | |
| | 1x70W galben / yellow | 34421611 | 415 | 503 | min. 0.92 | 6.70 | |
| | | | | | | | HME |
| | | | | | | | HME |





EN 60598-1 230V / 50Hz IP 65 650°C RoHS 36W

Domeniul de utilizare: Iluminatul ornamental de exterior

Descriere:

Dispensor: 4 fețe din PC alb-opal cu cadru de susținere din țevi de oțel (Φ 48mm) îndoite

Aparataj: Balast electronic inclus în corp

Stâlp: Zincat termic și vopsit (gri)

La cerere produsul poate fi echipat cu LED-uri albe sau colorate, inclusiv iluminat dinamic; stâlpul este disponibil vopsit și în alte culori; stâlpul poate fi și de alte dimensiuni: 4.6m; 5.6m, 6.6m.

Sursa: Tub fluorescent (T8)

Dulie: G13

Standard: SR EN 60598-1

Application: Outdoor decorative lighting

Description:

Diffuser: 4 white-opal PC faces with banded steel frame support (Φ 48mm)

Gear: Electronic ballast included

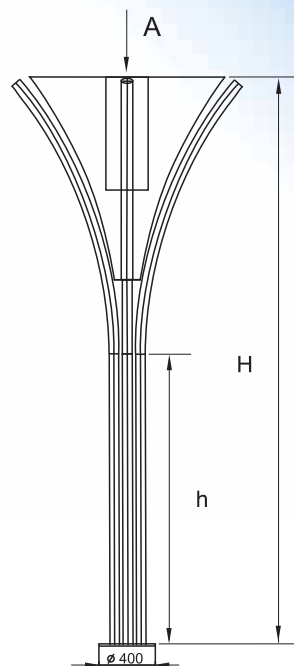
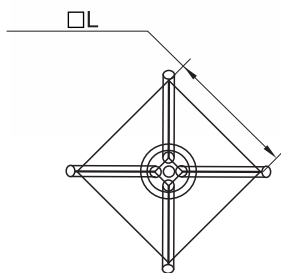
Pole: Zinc thermal coated and painted (grey)

On request the product may be fitted with white or colored LED's or dynamic lighting; the pole is available painted in other colors; the pole is available in other dimensions: 4.6m; 5.6m, 6.6m.

Source: Tubular fluorescent lamp (T8)

Socket: G13

Standard: SR EN 60598-1



Designed by DAN MUNTEANU

| Tip/Type | Cod produs/ Product code | Dimensiuni/Dimensions [mm] | | | Culoare/ Colour | Dispensor/ Diffuser | Masa/ Weight [kg] | Lampa/ Lamp |
|----------|-----------------------------|-------------------------------|------|------|--------------------|------------------------|-------------------------|----------------|
| | | H | h | L | | | | |
| 8x36W | 00740242 | 5600 | 3000 | 1270 | gri / gray | opal | 150 | T8 φ 26 |



City Business Center, Timișoara

EN 60598-1 230V / 50Hz IP 65 IK 09 960°C RoHS 75W



Domeniul de utilizare: Iluminatul ornamental de exterior

Descriere:

Dispensor: PC transparent

Capac: Din PC negru

Stâlp de fixare: Diametrul de 60mm

Sursa: Incandescent, lampă halogen eco-clasic, lampă fluorescent compactă

Dulie: E27

Standard: SR EN 60598-1

Application: Outdoor decorative lighting

Description:

Diffuser: Transparent PC

Top: black PC

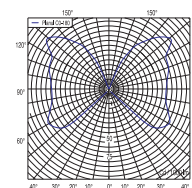
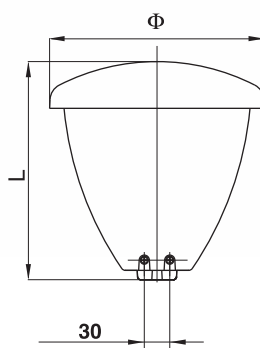
Fixing pole: 60mm diameter

Source: Incandescent, eco-classic halogen lamp, fluorescent compact lamp

Socket: E27

Standard: SR EN 60598-1

AVIS-01



pg.322

| Tip/Type | Cod produs/ Product code | Dimensiuni/Dimensions [mm] | | Culoare/ Colour | Dispensor/ Diffuser | Masa/ Weight [kg] | Lampa/ Lamp |
|----------|-----------------------------|-------------------------------|-----|--------------------|------------------------|-------------------------|-------------------|
| | | φ | L | | | | |
| 75W | 45441001 | 253 | 257 | negru/black | transparent / clear | 0.75 | A60 / LH / TC-TSE |





| | | | | | | | | | |
|------------|-------------|-------|-------|-------|--|-------|----|------|------------|
| EN 60598-1 | 230V / 50Hz | IP 66 | IK 06 | IK 08 | | 960°C | CE | RoHS | 26W ÷ 125W |
|------------|-------------|-------|-------|-------|--|-------|----|------|------------|

AVIS 02 AVIS 02M

Domeniul de utilizare: Iluminatul ornamental de exterior

Application: Outdoor decorative lighting

Descriere:

Description:

Dispensor: PC transparent; opal

Diffuser: Clear PC; opal

Reflector:

- produsul poate fi echipat fie cu reflector din tablă de aluminiu fie cu reflector antiiorbire - lamelar din tablă de oțel, vopsit alb

Reflector:

- the product may be equipped with aluminum sheet reflector or with non-glare - lamellar steel sheet reflector white painted

Corp, brațe, disc, capac: Din PC gri sau negru

Body, upper cover, arms and disc: Grey or black PC

Stâlp de fixare: Cu diametrul de 60mm

Fixing pole: 60mm diameter

Sursa: Sodiu, mercur, lampă compactă

Source: Sodium, mercury, compact fluorescent lamp

Dulie: E27, G24-d3, 2G8, E40

Socket: E27, G24-d3, 2G8, E40

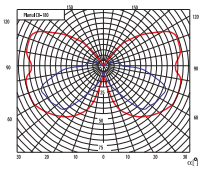
Standard: SR EN 60598-1

Standard: SR EN 60598-1



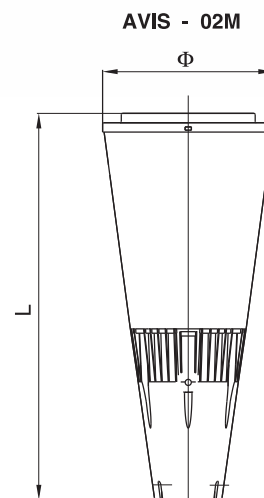
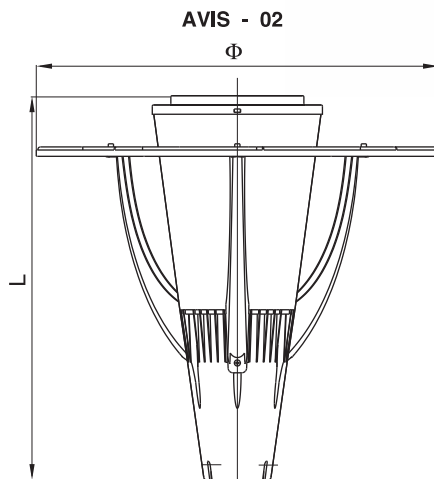
AVIS - 02

AVIS - 02M



- fara reflector/without reflector
- cu reflector/with reflector

pg.322



AVIS 02

| Tip/Type | Cod produs/ Product code | Factor de putere/ Power factor | Dimensiuni/Dimensions [mm] | | Culoare/ Colour | Reflector/ Reflector | Dispersor/ Diffuser | Masa/ Weight [kg] | Lampa/ Lamp |
|----------|-----------------------------|--------------------------------------|-------------------------------|-----|--------------------|-------------------------|------------------------|-------------------------|----------------|
| | | | φ | L | | | | | |
| 125W | 33431028 | min. 0.92 | 650 | 620 | negru/black | aluminiu | opal/opal | 5.25 | HME |
| 125W | 33431021 | min. 0.92 | 650 | 620 | gri/gray | vopsit alb | transparent/clear | 5.25 | |
| 80W | 34421501 | min. 0.92 | 650 | 620 | gri/gray | vopsit alb | transparent/clear | 5.00 | |
| 80W | 34421508 | min. 0.92 | 650 | 620 | negru/black | aluminiu | opal/opal | 5.00 | |
| 100W | 34431026 | min. 0.92 | 650 | 620 | gri/gray | vopsit alb | transparent/clear | 5.55 | HSE |
| 150W | 34441022 | min. 0.92 | 650 | 620 | gri/gray | vopsit alb | transparent/clear | 6.40 | |
| 50W | 34411032 | min. 0.92 | 650 | 620 | gri/gray | vopsit alb | transparent/clear | 5.20 | |
| 50W | 34411053 | min. 0.92 | 650 | 620 | negru/black | aluminiu | opal/opal | 5.20 | |
| 70W | 34411041 | min. 0.92 | 650 | 620 | gri/gray | vopsit alb | transparent/clear | 5.50 | |
| 70W | 34411049 | min. 0.92 | 650 | 620 | negru/black | aluminiu | opal/opal | 5.50 | |
| 100W | 34431034 | min. 0.92 | 650 | 620 | negru/black | aluminiu | opal/opal | 5.55 | |
| 150W | 34441030 | min. 0.92 | 650 | 620 | negru/black | aluminiu | opal/opal | 6.40 | HST |
| 26W | 24491003 | min. 0.92 | 650 | 620 | gri/gray | vopsit alb | transparent/clear | 4.50 | TC-D |
| 26W | 24491010 | min. 0.92 | 650 | 620 | negru/black | aluminiu | opal/opal | 4.50 | |
| 120W | 24471015 | min. 0.92 | 650 | 620 | negru/black | aluminiu | opal/opal | 4.43 | TC-TEL |
| 85W | 24471004 | min. 0.92 | 650 | 620 | gri/gray | vopsit alb | transparent/clear | 4.43 | |
| 85W | 24471014 | min. 0.92 | 650 | 620 | negru/black | aluminiu | opal/opal | 4.43 | |

vopsit alb / white painted, aluminiu / aluminum

AVIS 02M

| | | | | | | | | | |
|------|----------|-----------|-----|-----|-------------|------------|-------------------|------|--------|
| 125W | 33431025 | min. 0.92 | 275 | 620 | gri/gray | vopsit alb | transparent/clear | 3.90 | HME |
| 125W | 33431027 | min. 0.92 | 275 | 620 | negru/black | aluminiu | opal/opal | 3.90 | |
| 80W | 34421504 | min. 0.92 | 275 | 620 | gri/gray | vopsit alb | transparent/clear | 3.70 | |
| 80W | 34421507 | min. 0.92 | 257 | 620 | negru/black | aluminiu | opal/opal | 3.70 | |
| 50W | 34411035 | min. 0.92 | 257 | 620 | gri/gray | vopsit alb | transparent/clear | 3.60 | HSE |
| 50W | 34411052 | min. 0.92 | 257 | 620 | negru/black | aluminiu | opal/opal | 3.60 | |
| 70W | 34411045 | min. 0.92 | 257 | 620 | gri/gray | vopsit alb | transparent/clear | 3.90 | |
| 70W | 34411046 | min. 0.92 | 257 | 620 | negru/black | vopsit alb | transparent/clear | 3.90 | |
| 70W | 34411048 | min. 0.92 | 257 | 620 | negru/black | aluminiu | opal/opal | 3.90 | |
| 100W | 34431029 | min. 0.92 | 257 | 620 | gri/gray | vopsit alb | transparent/clear | 3.95 | |
| 100W | 34431033 | min. 0.92 | 257 | 620 | negru/black | aluminiu | opal/opal | 3.95 | |
| 150W | 34441041 | min. 0.92 | 257 | 620 | negru/black | vopsit alb | transparent/clear | 4.80 | HST |
| 150W | 34441025 | min. 0.92 | 257 | 620 | gri/gray | vopsit alb | transparent/clear | 4.80 | |
| 150W | 34441040 | min. 0.92 | 257 | 620 | negru/black | aluminiu | opal/opal | 4.80 | |
| 26W | 24491006 | min. 0.92 | 257 | 620 | gri/gray | vopsit alb | transparent/clear | 3.20 | |
| 26W | 24491009 | min. 0.92 | 257 | 620 | negru/black | aluminiu | opal/opal | 3.20 | TC-D |
| 120W | 24471013 | min. 0.92 | 257 | 620 | negru/black | aluminiu | opal/opal | 3.00 | TC-TEL |
| 120W | 24471008 | min. 0.92 | 257 | 620 | gri/gray | aluminiu | transparent/clear | 3.00 | |
| 85W | 24471009 | min. 0.92 | 257 | 620 | gri/gray | vopsit alb | transparent/clear | 3.00 | |
| 85W | 24471012 | min. 0.92 | 257 | 620 | negru/black | aluminiu | opal/opal | 3.00 | |

vopsit alb / white painted, aluminiu / aluminum

