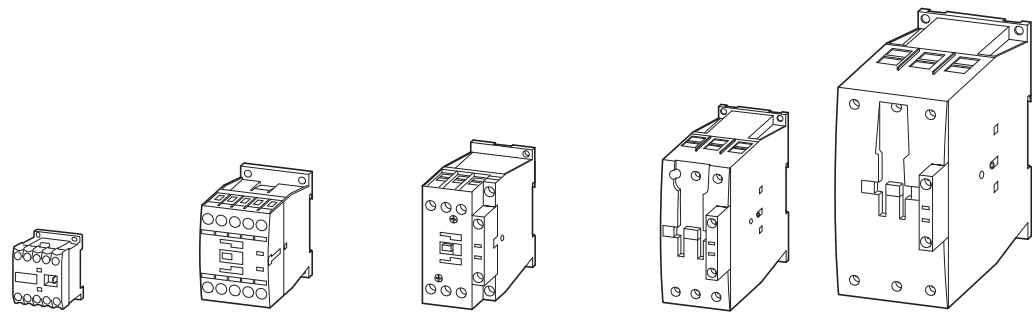


DILM, DILE(E)M, DILMP

Prezentarea generală a gamei după puteri

Contactoare tripolare



| DIL                         | EEM   | EM | EM12 | M7     | M9 | M12 | M15 | M17    | M25 | M32 | M38 | M40    | M50 | M65 | M80    | M95 | M115 | M150 | M170 |  |
|-----------------------------|-------|----|------|--------|----|-----|-----|--------|-----|-----|-----|--------|-----|-----|--------|-----|------|------|------|--|
| Aparate de bază pag         | → 5/4 |    |      | → 5/18 |    |     |     | → 5/18 |     |     |     | → 5/20 |     |     | → 5/50 |     |      |      |      |  |
| Aparate complete pag        | -     |    |      | → 5/24 |    |     |     | → 5/24 |     |     |     | → 5/26 |     |     | → 5/26 |     |      |      |      |  |
| Tensiunea nominală de lucru | kW    |    | kW   |        | kW |     | kW  |        | kW  |     | kW  |        | kW  |     | kW     |     | kW   |      | kW   |  |

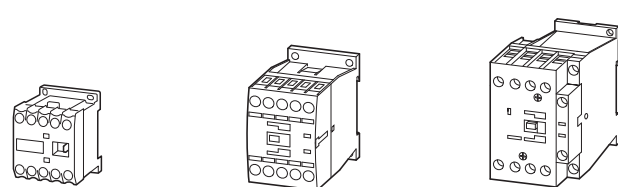
| AC-3                                                       |          |          |            |          |          |            |            |            |           |           |             |             |           |           |           |           |           |           |           |
|------------------------------------------------------------|----------|----------|------------|----------|----------|------------|------------|------------|-----------|-----------|-------------|-------------|-----------|-----------|-----------|-----------|-----------|-----------|-----------|
| Puterea nominală a motoarelor de c.a. trifazate 50 – 60 Hz |          |          |            |          |          |            |            |            |           |           |             |             |           |           |           |           |           |           |           |
| 220 V – 230 V                                              | 1.5      | 2.2      | 3          | 2.2      | 2.5      | 3.5        | 4          | 5          | 7.5       | 10        | 11          | 12.5        | 15.5      | 20        | 25        | 30        | 37        | 48        | 52        |
| <b>380 V – 400 V</b>                                       | <b>3</b> | <b>4</b> | <b>5.5</b> | <b>3</b> | <b>4</b> | <b>5.5</b> | <b>7.5</b> | <b>7.5</b> | <b>11</b> | <b>15</b> | <b>18.5</b> | <b>18.5</b> | <b>22</b> | <b>30</b> | <b>37</b> | <b>45</b> | <b>55</b> | <b>75</b> | <b>90</b> |
| 440 V                                                      | 3.3      | 4.6      | 5.5        | 4.5      | 5.5      | 7.5        | 8.4        | 10.5       | 15.5      | 20        | 21          | 25          | 32        | 41        | 51        | 60        | 75        | 95        | 105       |
| 500 V                                                      | 3        | 4        | 5.5        | 3.5      | 4.5      | 7          | 7.5        | 12         | 17.5      | 23        | 24          | 28          | 36        | 47        | 58        | 70        | 85        | 110       | 120       |
| 660 V/690 V                                                | 3        | 4        | 4          | 3.5      | 4.5      | 6.5        | 7          | 11         | 14        | 17        | 21          | 23          | 30        | 35        | 63        | 75        | 90        | 96        | 140       |
| 1000 V                                                     | -        | -        | -          | -        | -        | -          | -          | -          | -         | -         | -           | -           | -         | -         | -         | -         | -         | -         | -         |

| AC-4                                                                 |            |          |          |            |            |          |          |            |          |          |          |          |           |           |           |           |           |           |           |
|----------------------------------------------------------------------|------------|----------|----------|------------|------------|----------|----------|------------|----------|----------|----------|----------|-----------|-----------|-----------|-----------|-----------|-----------|-----------|
| Puterea nominală a motoarelor de c.a. trifazate 50 – 60 Hz           |            |          |          |            |            |          |          |            |          |          |          |          |           |           |           |           |           |           |           |
| ⚠ Durată de viață crescută pentru DILM7 – DILM150 la 200.000 manevre |            |          |          |            |            |          |          |            |          |          |          |          |           |           |           |           |           |           |           |
| 220 V – 230 V                                                        | 1.1        | 1.5      | 1.5      | 1          | 1.5        | 2        | 2        | 2.5        | 3.5      | 4        | 4        | 5        | 6         | 7         | 12        | 16        | 17        | 20        | 20        |
| <b>380 V – 400 V</b>                                                 | <b>2.2</b> | <b>3</b> | <b>3</b> | <b>2.2</b> | <b>2.5</b> | <b>3</b> | <b>3</b> | <b>4.5</b> | <b>6</b> | <b>7</b> | <b>7</b> | <b>9</b> | <b>10</b> | <b>12</b> | <b>20</b> | <b>26</b> | <b>28</b> | <b>33</b> | <b>33</b> |
| 440 V                                                                | 2.4        | 3.3      | 3.3      | 2.4        | 3          | 3.6      | 3.6      | 5.5        | 7        | 8        | 8        | 10       | 12        | 14        | 25        | 32        | 35        | 41        | 41        |
| 500 V                                                                | 2.2        | 3        | 3        | 2.5        | 2.8        | 3.5      | 3.5      | 6          | 8        | 9        | 9        | 11       | 13        | 16        | 29        | 36        | 40        | 47        | 47        |
| 660 V/690 V                                                          | 2.2        | 3        | 3        | 2.9        | 3.6        | 4.4      | 4.4      | 6.5        | 8.5      | 10       | 10       | 12       | 14        | 17        | 26        | 35        | 43        | 48        | 48        |
| 1000 V                                                               | -          | -        | -        | -          | -          | -        | -        | -          | -        | -        | -        | -        | -         | -         | -         | -         | -         | -         | -         |

| AC-1                                         |           |           |           |           |           |           |           |           |           |           |           |           |           |           |           |           |            |            |            |
|----------------------------------------------|-----------|-----------|-----------|-----------|-----------|-----------|-----------|-----------|-----------|-----------|-----------|-----------|-----------|-----------|-----------|-----------|------------|------------|------------|
| Puterea nominală la sarcina rezistivă, 40 °C |           |           |           |           |           |           |           |           |           |           |           |           |           |           |           |           |            |            |            |
| 220 V – 230 V                                | 8         | 8         | 8         | 8         | 8         | 8         | 8         | 15        | 17        | 17        | 17        | 22        | 30        | 37        | 42        | 49        | 61         | 72         | 85         |
| <b>380 V – 400 V</b>                         | <b>13</b> | <b>13</b> | <b>13</b> | <b>14</b> | <b>14</b> | <b>14</b> | <b>14</b> | <b>26</b> | <b>29</b> | <b>29</b> | <b>29</b> | <b>39</b> | <b>53</b> | <b>65</b> | <b>72</b> | <b>85</b> | <b>105</b> | <b>125</b> | <b>150</b> |
| 440 V                                        | 15        | 15        | 15        | 16        | 16        | 16        | 16        | 30        | 34        | 34        | 34        | 45        | 58        | 71        | 80        | 94        | 116        | 138        | 170        |
| 500 V                                        | 18        | 18        | 18        | 19        | 19        | 19        | 19        | 34        | 38        | 38        | 38        | 51        | 66        | 81        | 90        | 107       | 132        | 156        | 194        |
| 660 V/690 V                                  | 23        | 23        | 23        | 25        | 25        | 25        | 25        | 45        | 51        | 51        | 51        | 68        | 91        | 111       | 125       | 148       | 182        | 216        | 268        |
| 1000 V                                       | -         | -         | -         | -         | -         | -         | -         | -         | -         | -         | -         | -         | -         | -         | -         | -         | -          | -          | -          |

| Curent termic convențional               |    |    |    |    |    |    |    |    |    |    |    |    |    |    |     |     |     |     |     |
|------------------------------------------|----|----|----|----|----|----|----|----|----|----|----|----|----|----|-----|-----|-----|-----|-----|
| $I_{th} = I_e$ în mediu deschis la 40 °C |    |    |    |    |    |    |    |    |    |    |    |    |    |    |     |     |     |     |     |
| A                                        | A  | A  | A  | A  | A  | A  | A  | A  | A  | A  | A  | A  | A  | A  | A   | A   | A   | A   | A   |
| 22                                       | 22 | 22 | 22 | 22 | 22 | 22 | 22 | 40 | 45 | 45 | 45 | 60 | 80 | 98 | 110 | 130 | 160 | 190 | 225 |

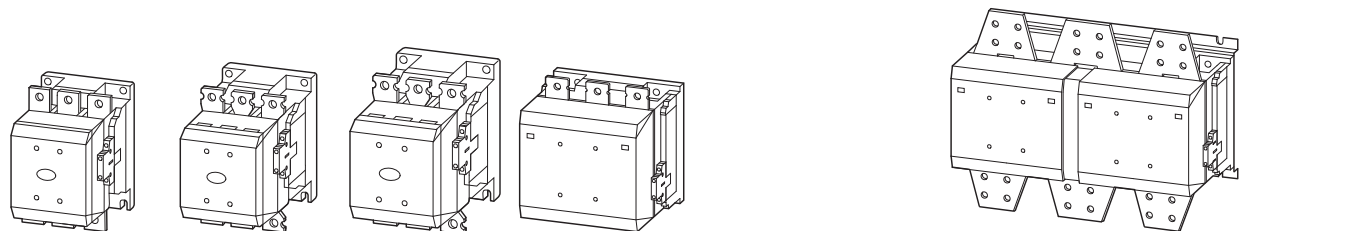
Contactoare tetrapolare



| DIL                                                                               | EM4    | MP20   | MP32   |
|-----------------------------------------------------------------------------------|--------|--------|--------|
| Tensiunea nominală de lucru                                                       | pagina | → 5/36 | → 5/36 |
| AC-1                                                                              |        |        |        |
| Curent termic convențional $I_{th} = I_e$ în mediu deschis la 40 °C până la 690 V | A      | A      | A      |
|                                                                                   | 22     | 22     | 32     |

DILM, DILH, DILMP

Contactoare tripolare



|        |       |        |       |        |      |        |      |        |      |        |       |       |       |       |       |
|--------|-------|--------|-------|--------|------|--------|------|--------|------|--------|-------|-------|-------|-------|-------|
| M185A  | M225A | M250   | M300A | M400   | M500 | M580   | M650 | M750   | M820 | M1000  | M1600 | H1400 | H2000 | H2200 | H2600 |
| -      | -     | -      | -     | -      | -    | -      | -    | -      | -    | -      | -     | -     | -     | -     | -     |
| → 5/32 |       | → 5/32 |       | → 5/32 |      | → 5/32 |      | → 5/32 |      | → 5/34 |       |       |       |       |       |

kW    kW    kW    kW    kW    kW    kW    kW    kW    kW    kW    kW    kW    kW    kW

|           |            |            |            |            |            |            |            |            |            |            |            |   |   |   |   |
|-----------|------------|------------|------------|------------|------------|------------|------------|------------|------------|------------|------------|---|---|---|---|
| 55        | 70         | 75         | 90         | 125        | 155        | 185        | 205        | 240        | 260        | 315        | 500        | - | - | - | - |
| <b>90</b> | <b>110</b> | <b>132</b> | <b>160</b> | <b>200</b> | <b>250</b> | <b>315</b> | <b>355</b> | <b>400</b> | <b>450</b> | <b>560</b> | <b>900</b> | - | - | - | - |
| 115       | 142        | 157        | 190        | 255        | 345        | 370        | 420        | 480        | 525        | 650        | 1000       | - | - | - | - |
| 132       | 160        | 180        | 215        | 290        | 360        | 420        | 470        | 550        | 600        | 730        | 1180       | - | - | - | - |
| 175       | 215        | 240        | 286        | 344        | 344        | 560        | 630        | 720        | 750        | 1000       | 1600       | - | - | - | - |
| 108       | 108        | 108        | 132        | 132        | 132        | 600        | 600        | 800        | 800        | 1000       | 1770       | - | - | - | - |

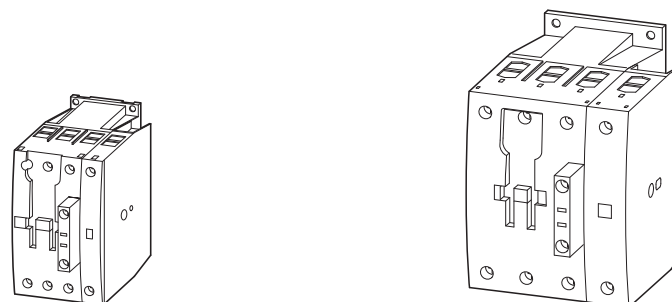
|           |           |            |            |            |            |            |            |            |            |            |            |   |   |   |   |
|-----------|-----------|------------|------------|------------|------------|------------|------------|------------|------------|------------|------------|---|---|---|---|
| 41        | 51        | 62         | 75         | 92         | 112        | 143        | 161        | 181        | 209        | 260        | 430        | - | - | - | - |
| <b>75</b> | <b>90</b> | <b>110</b> | <b>132</b> | <b>160</b> | <b>200</b> | <b>250</b> | <b>280</b> | <b>315</b> | <b>355</b> | <b>450</b> | <b>750</b> | - | - | - | - |
| 85        | 102       | 125        | 140        | 186        | 229        | 290        | 326        | 367        | 418        | 520        | 830        | - | - | - | - |
| 96        | 116       | 143        | 172        | 214        | 260        | 330        | 370        | 417        | 474        | 590        | 940        | - | - | - | - |
| 127       | 155       | 189        | 229        | 283        | 344        | 440        | 494        | 556        | 633        | 780        | 1300       | - | - | - | - |
| 108       | 108       | 108        | 132        | 132        | 132        | 509        | 509        | 678        | 678        | 1000       | 1650       | - | - | - | - |

|            |            |            |            |            |            |            |            |            |            |            |             |             |             |             |             |
|------------|------------|------------|------------|------------|------------|------------|------------|------------|------------|------------|-------------|-------------|-------------|-------------|-------------|
| 121        | 139        | 155        | 177        | 221        | 310        | 354        | 376        | 398        | 443        | 443        | 717         | 620         | 886         | 1075        | 1269        |
| <b>210</b> | <b>241</b> | <b>268</b> | <b>306</b> | <b>382</b> | <b>535</b> | <b>612</b> | <b>650</b> | <b>689</b> | <b>766</b> | <b>766</b> | <b>1247</b> | <b>1071</b> | <b>1531</b> | <b>1870</b> | <b>2207</b> |
| 243        | 279        | 310        | 354        | 443        | 620        | 709        | 753        | 797        | 886        | 886        | 1371        | 1240        | 1773        | 2058        | 2427        |
| 277        | 317        | 352        | 403        | 503        | 705        | 806        | 856        | 906        | 1007       | 1007       | 1558        | 1410        | 2015        | 2338        | 2758        |
| 365        | 419        | 465        | 532        | 664        | 930        | 1064       | 1130       | 1196       | 1330       | 1330       | 2151        | 1861        | 2660        | 3227        | 3806        |
| 554        | 635        | 705        | 806        | 1007       | 1410       | 1612       | 1712       | 1813       | 2015       | 2015       | 2420        | 2417        | 3223        | 4676        | 5516        |

A    A    A    A    A    A    A    A    A    A    A    A    A    A    A

|     |     |     |     |     |     |     |      |      |      |      |      |      |      |      |      |
|-----|-----|-----|-----|-----|-----|-----|------|------|------|------|------|------|------|------|------|
| 337 | 356 | 400 | 430 | 612 | 857 | 980 | 1041 | 1102 | 1225 | 1225 | 2200 | 1714 | 2450 | 2700 | 3185 |
|-----|-----|-----|-----|-----|-----|-----|------|------|------|------|------|------|------|------|------|

Contactoare tetrapolare



|        |        |      |        |       |       |
|--------|--------|------|--------|-------|-------|
| MP45   | MP63   | MP80 | MP125  | MP160 | MP200 |
| → 5/36 | → 5/36 |      | → 5/36 |       |       |

|    |    |    |     |     |     |
|----|----|----|-----|-----|-----|
| A  | A  | A  | A   | A   | A   |
| 45 | 63 | 80 | 125 | 160 | 200 |