

# SACC-MINMR-4CON-PG 9 - Connector



1521481

<https://www.phoenixcontact.com/ro/produse/1521481>

Vă rugăm să țineți cont de faptul că datele afișate în acest document PDF au fost generate din catalogul nostru online. Datele complete sunt disponibile în documentația pentru utilizator. În cazul descărcărilor, se aplică Termenii și condițiile generale de utilizare ale companiei noastre.



Connector, Universal, 4-position, Plug angled 7/8"-16UNF, coding: A, Screw connection, knurl material: Zinc die-cast, nickel-plated, cable gland Pg9, external cable diameter 6 mm ... 8 mm, Contact 4 leading

## Avantajele dumneavoastră

- Safe use in the field, thanks to a high degree of protection
- Screw connection: proven connection technology for a large selection of different conductors

## Date comerciale

Număr articol	1521481
Unitate de ambalare	1 Bucată
Cantitate minimă pentru comandă	1 Bucată
Cod produs	BF2FAA
Pagina de catalog	Pagina 25 (C-2-2017)
GTIN	4017918949709
Greutate pe bucată (inclusiv ambalajul)	56,63 g
Greutate pe bucată (fără ambalaj)	47,6 g
Cod tarifar vamal	85366990
Țara de origine	DE

# SACC-MINMR-4CON-PG 9 - Connector



1521481

<https://www.phoenixcontact.com/ro/produse/1521481>

## Date tehnic

### Notes

General	<b>NOTE:</b> Observe the permissible bending radii when laying conductors, since the degree of protection may be put in jeopardy if the bending forces are too high. Alleviate mechanical loads upstream of the connector, e.g. by using cable ties.
---------	--

### Mounting

Assembly instructions	The wires can be connected both with ferrules and without ferrules The connector pin assignment can be rotated 45° to the cable outlet
-----------------------	---

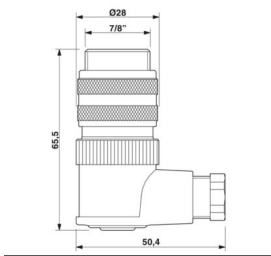
### Product properties

Product type	Circular connector (cable-side)
Sensor type	Universal
Number of positions	4
No. of cable outlets	1
Shielded	no
Coding	A
Cable outlet	angled
Pg screw connection	Pg9

### Insulation characteristics

Overvoltage category	III
Degree of pollution	3

### Dimensions

Dimensional drawing	
Length	65.5 mm

### External dimensions

Outside diameter	6 mm ... 8 mm
------------------	---------------

### Housing

Diameter housing	28 mm
------------------	-------

### Material specifications

# SACC-MINMR-4CON-PG 9 - Connector



1521481

<https://www.phoenixcontact.com/ro/produse/1521481>

Flammability rating according to UL 94	HB
Material of grip body	PBT
Contact material	CuZn
Contact surface material	Au
Contact carrier material	PUR/PA 6.6
Material for screw connection	Zinc die-cast, nickel-plated

## Connection data

### Conductor connection

Connection method	Screw connection
Connection cross section	0.34 mm <sup>2</sup> ... 1.5 mm <sup>2</sup> (without ferrule)
	0.34 mm <sup>2</sup> ... 1.5 mm <sup>2</sup> (with ferrule)
	0.34 mm <sup>2</sup> ... 1.5 mm <sup>2</sup> (solid)
Connection cross section AWG	22 ... 16 (without ferrule)
	22 ... 16 (with ferrule)
Stripping length of the individual wire	7 mm
Tightening torque	0.8 Nm (7/8" connectors)
	0.4 Nm (Screw terminal blocks)
	0.8 Nm ... 1 Nm (Pressure screw)

## Electrical properties

Rated surge voltage	4 kV
Contact resistance	≤ 5 mΩ
Insulation resistance	≥ 100 MΩ
Nominal voltage U <sub>N</sub>	300 V AC
	300 V DC
Nominal current I <sub>N</sub>	9 A

## Mechanical properties

### Mechanical data

Insertion/withdrawal cycles	≥ 100
-----------------------------	-------

## Connector

### Connection 1

Head design	Plug
Head cable outlet	angled
Head thread type	7/8"-16UNF
Coding	A

## Cable/line

Signal type/category	Universal
Stripping length of the individual wire	7 mm

# SACC-MINMR-4CON-PG 9 - Connector



1521481

<https://www.phoenixcontact.com/ro/produse/1521481>

## Environmental and real-life conditions

### Ambient conditions

Degree of protection	IP67
Ambient temperature (operation)	-25 °C ... 85 °C (Plug / socket)

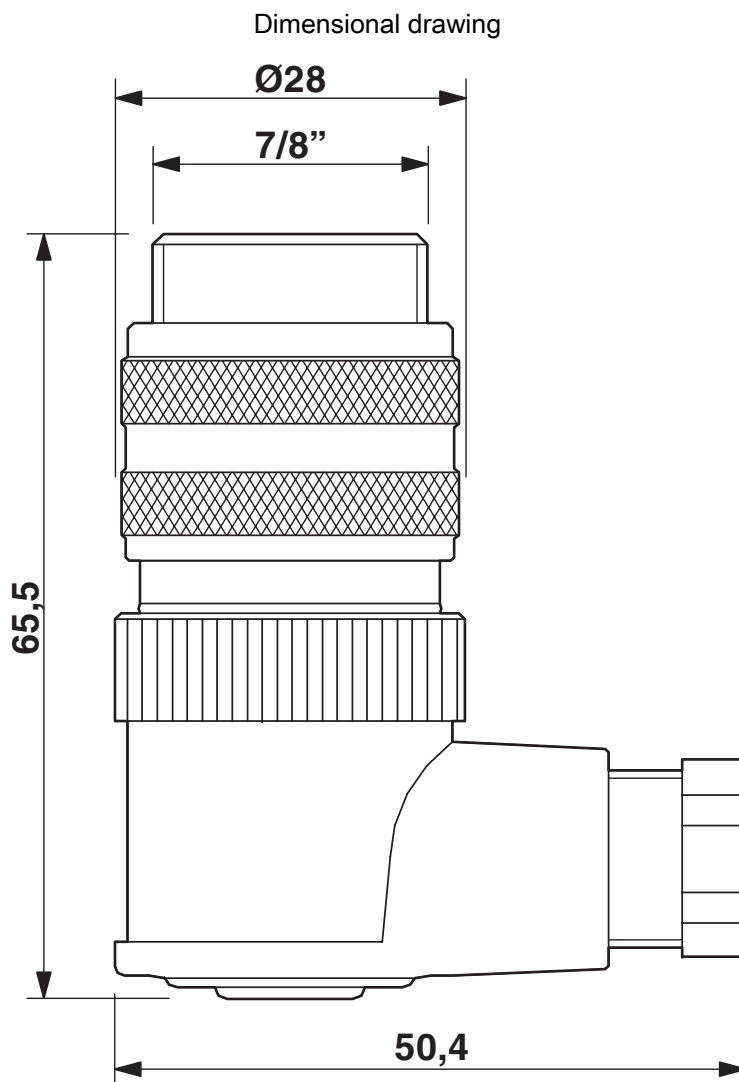
# SACC-MINMR-4CON-PG 9 - Connector

1521481

<https://www.phoenixcontact.com/ro/produse/1521481>



Desene



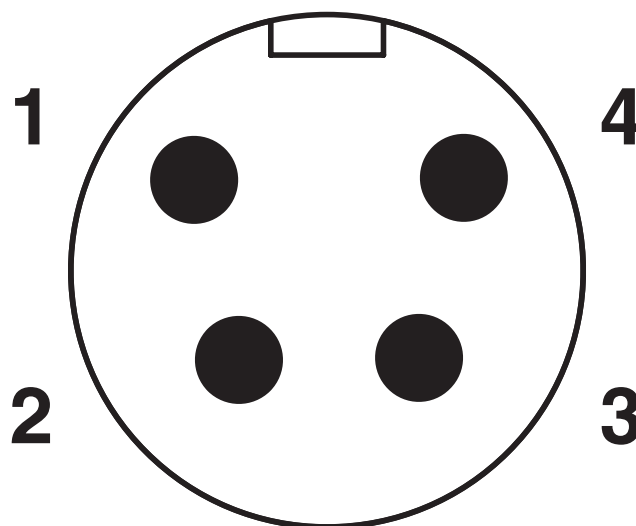
Male  $7/8''$ -16UNF, angled, Pg9

# SACC-MINMR-4CON-PG 9 - Connector

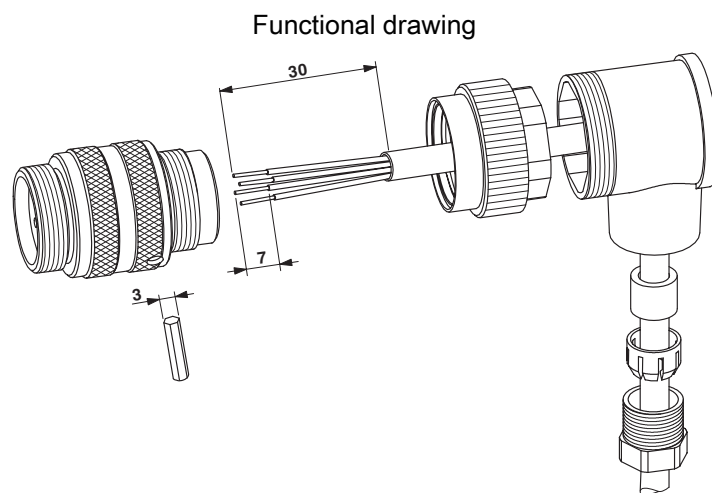
1521481

<https://www.phoenixcontact.com/ro/produse/1521481>

Schematic diagram



Pin assignment, plug, 7/8"-16UNF, 4-pos., view of male side



# SACC-MINMR-4CON-PG 9 - Connector





1521481


<https://www.phoenixcontact.com/ro/produse/1521481>

## Aprobări

To download certificates, visit the product detail page: <https://www.phoenixcontact.com/ro/produse/1521481>

 <b>cUL Recognized</b> ID de înregistrare: FILE E 221474				
	Tensiune nominală $U_N$	Curent nominal $I_N$	Secțiune transversală AWG	Secțiune transversală $\text{mm}^2$
	600 V	9 A	-	-

 <b>UL Recognized</b> ID de înregistrare: FILE E 221474				
	Tensiune nominală $U_N$	Curent nominal $I_N$	Secțiune transversală AWG	Secțiune transversală $\text{mm}^2$
	600 V	9 A	-	-

 <b>EAC</b> ID de înregistrare: RU C-DE.BL08.B.00511				
--	--	--	--	--

<b>cULus Recognized</b>				
-------------------------	--	--	--	--

# SACC-MINMR-4CON-PG 9 - Connector



1521481

<https://www.phoenixcontact.com/ro/produse/1521481>

## Clasificări

### ECLASS

ECLASS-11.0	27440102
ECLASS-12.0	27440116
ECLASS-13.0	27440116

### ETIM

ETIM 9.0	EC002635
----------	----------

### UNSPSC

UNSPSC 21.0	39121400
-------------	----------



# SACC-MINMR-4CON-PG 9 - Connector



1521481

<https://www.phoenixcontact.com/ro/produce/1521481>

## Environmental product compliance

REACH SVHC	Lead 7439-92-1
China RoHS	Environmentally Friendly Use Period = 50 years
	For information on hazardous substances, refer to the manufacturer's declaration available under "Downloads"

# SACC-MINMR-4CON-PG 9 - Connector



1521481

<https://www.phoenixcontact.com/ro/produce/1521481>

## Accesorii

### PROT-MINFS-PA-CHAIN - Sealing cap

1430912

<https://www.phoenixcontact.com/ro/produce/1430912>

7/8" sealing cap made of plastic with fixing band, for sensor cables, for 7/8" connectors



---

### TSD 08 SAC - Torque screwdriver

1212597

<https://www.phoenixcontact.com/ro/produce/1212597>

Torque screw driver with preset torque of 0.8 Nm, with 4 mm hexagon for accommodating SAC bits, two-component handle with non-slip grip



# SACC-MINMR-4CON-PG 9 - Connector

1521481

<https://www.phoenixcontact.com/ro/produce/1521481>

## TSD-M 1,2NM - Torque screwdriver

1212224

<https://www.phoenixcontact.com/ro/produce/1212224>



Torque screw driver, accuracy as per EN ISO 6789 standard, adjustable from 0.3 - 1.2 Nm

---

## TSD-M SAC-BIT ADAPTER - Adapter insert

1212600

<https://www.phoenixcontact.com/ro/produce/1212600>



Adapter bit for TSD-M...torque tools, E6.3-1/4" drive with 4 mm hexagon to accommodate SAC bits

# SACC-MINMR-4CON-PG 9 - Connector



1521481

<https://www.phoenixcontact.com/ro/produse/1521481>

## SAC BIT MIN-D25 - Tool

1212512

<https://www.phoenixcontact.com/ro/produse/1212512>

Nut for assembling 7/8" connectors with a knurl diameter of 25 mm, with 4 mm hexagonal drive



---

Phoenix Contact 2024 © - Toate drepturile rezervate

<https://www.phoenixcontact.com>

PHOENIX CONTACT România

Splaiul Unirii 165 Timpuri Noi Square TNO1, Etaj 1

Bucuresti 030133

+40 21 350 88 12 - 3

[sales.ro@phoenixcontact.com](mailto:sales.ro@phoenixcontact.com)