

# SACC-M12MS-5CON-PG 9-SH - Connector



1694266

<https://www.phoenixcontact.com/ro/produse/1694266>

Vă rugăm să țineți cont de faptul că datele afișate în acest document PDF au fost generate din catalogul nostru online. Datele complete sunt disponibile în documentația pentru utilizator. În cazul descărcărilor, se aplică Termenii și condițiile generale de utilizare ale companiei noastre.



Connector, Universal, 5-position, shielded, Plug straight M12, coding: A, Screw connection, knurl material: Brass, nickel-plated, cable gland Pg9, external cable diameter 6 mm ... 8 mm

## Avantajele dumneavoastră

- Safe use in the field, thanks to a high degree of protection
- Screw connection: proven connection technology for a large selection of different conductors
- Reliable signal transmission – 360° shielding in environments with electromagnetic interference

## Date comerciale

Număr articol	1694266
Unitate de ambalare	1 Bucată
Cantitate minimă pentru comandă	1 Bucată
Cod de achiziție	02
Cod produs	BF2CBA
Pagina de catalog	Pagina 24 (C-2-2019)
GTIN	4017918181260
Greutate pe bucată (inclusiv ambalajul)	57 g
Greutate pe bucată (fără ambalaj)	55,4 g
Cod tarifar vamal	85366990
Țara de origine	CN

# SACC-M12MS-5CON-PG 9-SH - Connector



1694266

<https://www.phoenixcontact.com/ro/produse/1694266>

## Date tehnic

### Notes

General	<b>NOTE:</b> Observe the permissible bending radii when laying conductors, since the degree of protection may be put in jeopardy if the bending forces are too high. Alleviate mechanical loads upstream of the connector, e.g. by using cable ties.
---------	--

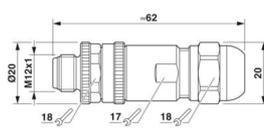
### Product properties

Product type	Circular connector (cable-side)
Sensor type	Universal
Number of positions	5
No. of cable outlets	1
Shielded	yes
Coding	A
Cable outlet	straight
Pg screw connection	Pg9

### Insulation characteristics

Overvoltage category	II
Degree of pollution	3

### Dimensions

Dimensional drawing	
Width	20 mm
Height	20 mm
Length	62 mm

### External dimensions

Outside diameter	6 mm ... 8 mm
------------------	---------------

### Housing

Diameter housing	20 mm
------------------	-------

### Material specifications

Flammability rating according to UL 94	HB
Seal material	NBR
Material of grip body	Brass, nickel-plated
Contact material	CuZn
Contact surface material	Au
Contact carrier material	PA
Material for screw connection	Brass, nickel-plated

# SACC-M12MS-5CON-PG 9-SH - Connector



1694266

<https://www.phoenixcontact.com/ro/produse/1694266>

## Connection data

### Conductor connection

Connection method	Screw connection
Connection cross section	0.25 mm <sup>2</sup> ... 0.75 mm <sup>2</sup> (without ferrule)
	0.14 mm <sup>2</sup> ... 0.5 mm <sup>2</sup> (with ferrule)
	0.25 mm <sup>2</sup> ... 0.75 mm <sup>2</sup> (solid)
Connection cross section AWG	24 ... 18 (without ferrule)
	26 ... 20 (with ferrule)
Stripping length of the individual wire	5 mm
Tightening torque	0.4 Nm (M12 knurl)
	0.2 Nm (Screw terminal blocks)
	0.8 Nm ... 1 Nm (Pressure nut with coupling sleeve)

## Electrical properties

Rated surge voltage	1.5 kV
Contact resistance	≤ 3 mΩ
Insulation resistance	≥ 100 MΩ
Nominal voltage U <sub>N</sub>	48 V AC
	60 V DC
Nominal current I <sub>N</sub>	4 A

## Mechanical properties

### Mechanical data

Insertion/withdrawal cycles	≥ 100
-----------------------------	-------

## Connector

### Connection 1

Head design	Plug
Head cable outlet	straight
Head thread type	M12
Coding	A

## Cable/line

Signal type/category	Universal
Stripping length of the individual wire	5 mm

## Environmental and real-life conditions

### Ambient conditions

Degree of protection	IP67
Ambient temperature (operation)	-40 °C ... 85 °C (Plug / socket)

## Standards and regulations

# SACC-M12MS-5CON-PG 9-SH - Connector



1694266

<https://www.phoenixcontact.com/ro/produse/1694266>

## M12

Standard designation	M12 connector
Standards/specifications	IEC 61076-2-101

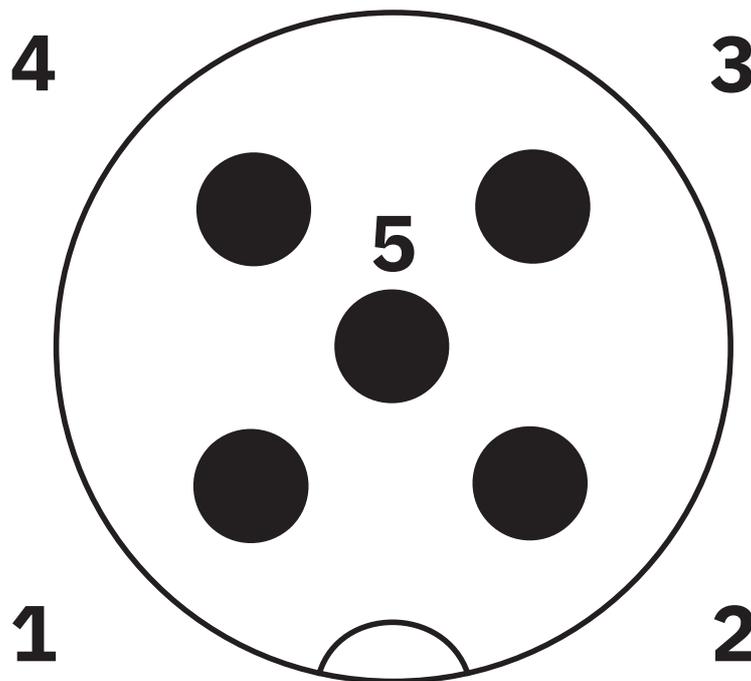
# SACC-M12MS-5CON-PG 9-SH - Connector

1694266

<https://www.phoenixcontact.com/ro/produse/1694266>

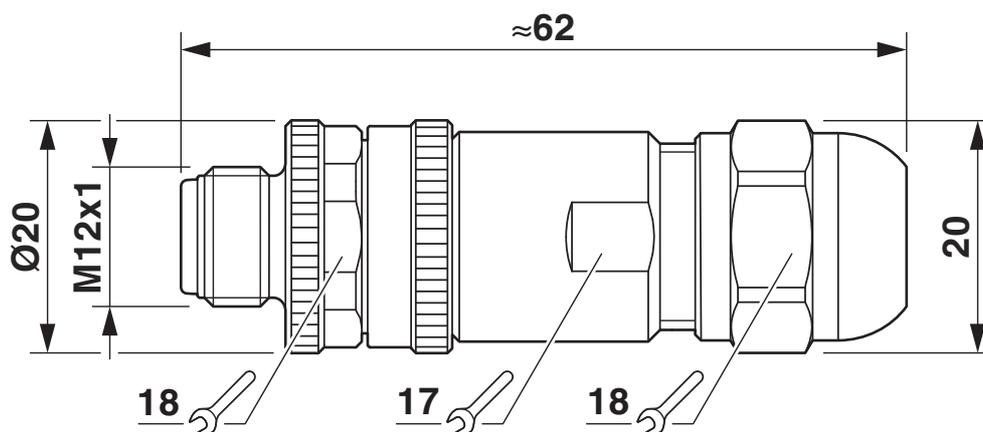
## Desene

Schematic diagram



Pin assignment M12 male connector, 5-pos., A-coded, male side

Dimensional drawing



Plug, M12 x 1, straight, shielded

# SACC-M12MS-5CON-PG 9-SH - Connector



1694266

<https://www.phoenixcontact.com/ro/produse/1694266>

## Aprobări

To download certificates, visit the product detail page: <https://www.phoenixcontact.com/ro/produse/1694266>

 <b>cUL Recognized</b> ID de înregistrare: FILE E 221474				
	Tensiune nominală $U_N$	Curent nominal $I_N$	Secțiune transversală AWG	Secțiune transversală $mm^2$
	60 V	4 A	-	-

 <b>UL Recognized</b> ID de înregistrare: FILE E 221474				
	Tensiune nominală $U_N$	Curent nominal $I_N$	Secțiune transversală AWG	Secțiune transversală $mm^2$
	60 V	4 A	-	-

<b>cULus Recognized</b>				
-------------------------	--	--	--	--

# SACC-M12MS-5CON-PG 9-SH - Connector



1694266

<https://www.phoenixcontact.com/ro/produse/1694266>

## Clasificări

### ECLASS

ECLASS-11.0	27440102
ECLASS-12.0	27440116
ECLASS-13.0	27440116

### ETIM

ETIM 9.0	EC002635
----------	----------

### UNSPSC

UNSPSC 21.0	39121400
-------------	----------

# SACC-M12MS-5CON-PG 9-SH - Connector



1694266

<https://www.phoenixcontact.com/ro/produce/1694266>

## Environmental product compliance

REACH SVHC	Lead 7439-92-1
China RoHS	Environmentally Friendly Use Period = 50 years
	For information on hazardous substances, refer to the manufacturer's declaration available under "Downloads"



# SACC-M12MS-5CON-PG 9-SH - Connector

1694266

<https://www.phoenixcontact.com/ro/produce/1694266>



## Accesorii

### PROT-M12 FS-PA-CHAIN - Sealing cap

1430873

<https://www.phoenixcontact.com/ro/produce/1430873>

M12 sealing cap made of plastic with fixing band, for sensor cables, for free M12 plugs



---

### SAC-5P-100,0-PUR/SH-0,34 - Cable reel

1501728

<https://www.phoenixcontact.com/ro/produce/1501728>

By the meter, Cable reel, shielded, PUR halogen-free, black-gray RAL 7021, 5-wire, color single wire: brown, white, blue, black, gray, cable length: 100 m



# SACC-M12MS-5CON-PG 9-SH - Connector

1694266

<https://www.phoenixcontact.com/ro/produce/1694266>

## A 0,25- 5 - Ferrule

3202465

<https://www.phoenixcontact.com/ro/produce/3202465>



Ferrule, color: silver

---

## TSD 04 SAC - Torque screwdriver

1208429

<https://www.phoenixcontact.com/ro/produce/1208429>



Torque screwdriver, with preset torque of 0.4 Nm and 4 mm hexagonal drive for M12 connectors

# SACC-M12MS-5CON-PG 9-SH - Connector

1694266

<https://www.phoenixcontact.com/ro/produce/1694266>

## SACC BIT M12-D20 - Tool

1208445

<https://www.phoenixcontact.com/ro/produce/1208445>

Nut for assembling M12 connectors for assembly with a knurl diameter of 20 mm, for 4 mm hexagonal drive



---

## TSD-M 1,2NM - Torque screwdriver

1212224

<https://www.phoenixcontact.com/ro/produce/1212224>

Torque screw driver, accuracy as per EN ISO 6789 standard, adjustable from 0.3 - 1.2 Nm



# SACC-M12MS-5CON-PG 9-SH - Connector

1694266

<https://www.phoenixcontact.com/ro/produce/1694266>

## TSD-M SAC-BIT ADAPTER - Adapter insert

1212600

<https://www.phoenixcontact.com/ro/produce/1212600>



Adapter bit for TSD-M...torque tools, E6.3-1/4" drive with 4 mm hexagon to accommodate SAC bits

---

## CRIMPFOX 6H - Crimping pliers

1212046

<https://www.phoenixcontact.com/ro/produce/1212046>



Crimping pliers, for ferrules without insulating collar according to DIN 46228 Part 1 and ferrules with insulating collar according to DIN 46228 Part 4, 0.14 mm<sup>2</sup> ... 6 mm<sup>2</sup>, unlockable pressure lock, lateral entry

# SACC-M12MS-5CON-PG 9-SH - Connector

1694266

<https://www.phoenixcontact.com/ro/produce/1694266>

## WIREFOX SAC - Stripping tool

1212623

<https://www.phoenixcontact.com/ro/produce/1212623>



Stripping pliers, for halogen-free sensor/actuator cables (SAC cables), with PUR and PVC insulation, from Ø of 4.4 to 7 mm, any stripping length

---

## VS-CABLE-STRIP-VARIO - Stripping tool

1657407

<https://www.phoenixcontact.com/ro/produce/1657407>



Stripping tool, for the multi-level stripping of shielded cables

# SACC-M12MS-5CON-PG 9-SH - Connector

1694266

<https://www.phoenixcontact.com/ro/produse/1694266>



## SZF 1-0,6X3,5 - Screwdriver

1204517

<https://www.phoenixcontact.com/ro/produse/1204517>



Actuation tool, for ST terminal blocks, also suitable for use as a bladed screwdriver, size: 0.6 x 3.5 x 100 mm, 2-component grip, with non-slip grip

---

Phoenix Contact 2024 © - Toate drepturile rezervate

<https://www.phoenixcontact.com>

PHOENIX CONTACT România

Splaiul Unirii 165 Timpuri Noi Square TNO1, Etaj 1

Bucuresti 030133

+40 21 350 88 12 - 3

[sales.ro@phoenixcontact.com](mailto:sales.ro@phoenixcontact.com)