

PSI-MOS-PROFIB/FO 850 T - FO converters



2708261

<https://www.phoenixcontact.com/ro/produse/2708261>

Vă rugăm să țineți cont de faptul că datele afișate în acest document PDF au fost generate din catalogul nostru online. Datele complete sunt disponibile în documentația pentru utilizator. În cazul descărcărilor, se aplică Termenii și condițiile generale de utilizare ale companiei noastre.



FO converter with integrated optical diagnostics, alarm contact, for PROFIBUS up to 12 Mbps, T-coupler with two FO interfaces (BFOC), 850 nm, for PCF/fiberglass cable (multimode)

Descriere produs

The **PSI-MOS-PROFIB/FO...** devices convert copper-based PROFIBUS interfaces to fiber optics. The integrated optical diagnostics allow permanent monitoring of the FO paths during installation and also during operation. The floating switch contact is activated when the signal output on the fiber optic paths drops to a critical level. The **PSI-MOS-PROFIB/FO...** T T-couplers allow the interface to be converted for two **FO cables**. They can be used to create linear structures and ring structures for increased system availability.

Avantajele dumneavoastră

- Can be combined with the PSI copper repeater in a modular way using DIN rail connectors
- Supply voltage and data signals routed through the DIN rail connectors
- Connections can be plugged in via a COMBICON screw terminal block
- Automatic data rate detection or fixed data rate setting via DIP switches
- Redundant power supply
- High-quality electrical isolation between all interfaces (PROFIBUS // fiber optic ports // power supply // DIN rail connector)
- Approved for use in zone 2
- Integrated optical diagnostics for continuous monitoring of FO paths
- Intrinsically safe fiber optic interface (Ex op is) for direct connection to devices in zone 1
- Floating switch contact for advance warning of critical FO paths
- Suitable for all data rates up to 12 Mbps
- Bit retiming for any cascading depth
- Shipbuilding approval in accordance with DNV GL

Date comerciale

Număr articol	2708261
Unitate de ambalare	1 Bucată
Cantitate minimă pentru comandă	1 Bucată
Cod produs	DNC211
Pagina de catalog	Pagina 431 (C-6-2019)
GTIN	4017918973964
Greutate pe bucată (inclusiv ambalajul)	265,2 g
Greutate pe bucată (fără ambalaj)	265,2 g
Cod tarifar vamal	85176200

PSI-MOS-PROFIB/FO 850 T - FO converters



2708261

<https://www.phoenixcontact.com/ro/produse/2708261>

Țara de origine	DE
-----------------	----

Date tehnic

Notes

Utilization restriction

EMC note	EMC: class A product, see manufacturer's declaration in the download area
----------	---

Utilization restriction

CCCex note	Use in potentially explosive areas is not permitted in China.
------------	---

Product properties

Product type	Media converter
MTTF	212 Years (SN 29500 standard, temperature 25°C, operating cycle 21%)
	150 Years (SN 29500 standard, temperature 40°C, operating cycle 34.25%)
	86 Years (SN 29500 standard, temperature 40°C, operating cycle 100%)
MTBF	149 Years (Telcordia standard, 25°C temperature, 21% operating cycle (5 days a week, 8 hours a day))
	24 Years (Telcordia standard, 40°C temperature, 34.25% operating cycle (5 days a week, 12 hours a day))

Electrical properties

Electrical isolation	VCC // RS-485
Maximum power dissipation for nominal condition	2.88 W
Test voltage data interface/power supply	1.5 kV _{rms} (50 Hz, 1 min.)

Supply

Supply voltage range	18 V DC ... 30 V DC (via pluggable COMBICON screw terminal block)
Nominal supply voltage	24 V DC (in acc. with UL)
Typical current consumption	120 mA (24 V DC)
Max. current consumption	130 mA
	≤ 2 A (For operation in a joining station, via the DIN rail connector)

Output data

Switching

Output name	Relay output
Output description	Alarm output
Number of outputs	1
Maximum switching voltage	60 V DC (Resistive Load, General Load)
	30 V AC (Resistive load)
	42 V AC (peak, resistive load)
Limiting continuous current	0.46 A

2708261

<https://www.phoenixcontact.com/ro/produse/2708261>

Connection data

Supply

Connection method	COMBICON plug-in screw terminal block
Stripping length	7.00 mm
Tightening torque	0.56 Nm ... 0.79 Nm

Interfaces

Bit distortion, input	± 35 % (permitted)
Bit distortion, output	< 6.25 %
Bit delay	< 1 bit (DIP 7 = OFF, standard operation)
	11 bit (DIP 7 = ON, redundancy operation)
Signal	PROFIBUS

Data: optical FO

No. of channels	2
Transmit capacity, minimum	-4.2 dBm (200/230 µm)
	-17.8 dBm (50/125 µm)
	-14.6 dBm (62,5/125 µm)
Transmission length incl. 3 dB system reserve	2600 m (with F-G 50/125 2.5 dB/km)
	3300 m (with F-G 62,5/125 3.0 dB/km)
	800 m (F-K 200/230 10 dB/km with quick mounting connector)
Transmission protocol	Protocol-transparent to the RS-485 interface
Connection method	B-FOC (ST®)
Wavelength	850 nm
Minimum receiver sensitivity	-30 dBm (50/125 µm)
Maximum receiver sensitivity	-3 dBm (200/230 µm)
Transmission medium	PCF fiber
	Multi-mode fiberglass

Data: PROFIBUS acc. to IEC 61158, RS-485 2-wire, half duplex, automatic control

Serial transmission speed	≤ 12 Mbps
Connection method	D-SUB-9 female connector
Transmission length	≤ 1200 m (depending on the data rate, with shielded, twisted pair data cable)
Single conductor/terminal point, rigid	0.2 mm² ... 2.5 mm²
Single-wire/terminal point, flexible	0.2 mm² ... 2.5 mm²
Max. AWG conductor cross section, flexible	14
Min. AWG conductor cross section, flexible	24
Single-wire/terminal point, rigid AWG max.	14
Single-wire/terminal point, rigid AWG min.	24
Transmission medium	Copper
File format/coding	UART (11 Bit, NRZ)
Data direction switching	Automatic control
Output nominal voltage	5 V ±0.25 (50 mA)

2708261

<https://www.phoenixcontact.com/ro/produse/2708261>

Dimensions

Width	35 mm
Height	99 mm
Depth	106 mm

Material specifications

Color (Housing)	green (RAL 6021)
Material Housing	PA 6.6-FR

Cable/line

FO cable

Fiber types	50/125 µm
	62.5/125 µm
	Fiberglass

Environmental and real-life conditions

Ambient conditions

Degree of protection	IP20
Ambient temperature (operation)	-20 °C ... 60 °C
Ambient temperature (storage/transport)	-40 °C ... 85 °C
Altitude	≤ 5000 m (For restrictions, see the manufacturer's declaration for altitude operation)
	≤ 2000 m (Hazardous locations)
Permissible humidity (operation)	30 % ... 95 % (non-condensing)

Approvals

CE

Certificate	CE-compliant
-------------	--------------

ATEX

Identification	⊕ II 3 G Ex nA nC IIC T4 Gc X
Note	Please follow the special installation instructions in the documentation!

ATEX, FO interface

Identification	⊕ II (2) G [Ex op is Gb] IIC
	⊕ II (2) D [Ex op is Db] IIIC
Certificate	PTB 06 ATEX 2042 U
Note	Please follow the special installation instructions in the documentation!

UL, USA/Canada

Identification	Class I, Zone 2, AEx nc IIC T5
	Class I, Zone 2, Ex nC nL IIC T5 X

2708261

<https://www.phoenixcontact.com/ro/produse/2708261>

	Class I, Div. 2, Groups A, B, C, D
PROFIBUS interoperability	
Note	Tested by independent PNO test laboratory (PN059-485-01)
ABB certification	
Identification	Industrial ^{IT} enabled
Note	This certification is a trademark of ABB.
Corrosive gas test	
Identification	ISA-S71.04-1985 G3 Harsh Group A
Shipbuilding	
Identification	DNV GL
DNV GL data	
Temperature	B
Humidity	A
Vibration	A
EMC	B
Enclosure	Required protection according to the Rules shall be provided upon installation on board
EMC data	
Noise immunity	EN 61000-6-2:2005
Electromagnetic compatibility	Conformance with EMC Directive 2014/30/EU
Noise emission	EN 55011
Electrostatic discharge	
Standards/regulations	EN 61000-4-2
Electrostatic discharge	
Contact discharge	± 6 kV
Discharge in air	± 8 kV
Comments	Criterion B
Electromagnetic HF field	
Standards/regulations	EN 61000-4-3
Electromagnetic HF field	
Field intensity	10 V/m
Comments	Criterion A
Fast transients (burst)	
Standards/regulations	EN 61000-4-4
Fast transients (burst)	
Input	± 2 kV
Signal	± 2 kV

PSI-MOS-PROFIB/FO 850 T - FO converters



2708261

<https://www.phoenixcontact.com/ro/produse/2708261>

Comments	Criterion B
Surge current load (surge)	
Standards/regulations	EN 61000-4-5
Surge current load (surge)	
Input	± 0.5 kV
Signal	± 1 kV
Comments	Criterion B
Conducted interference	
Standards/regulations	EN 61000-4-6
Conducted interference	
Comments	Criterion A
Voltage	10 V
Emitted interference	
Standards/regulations	EN 55011
Comments	Class A, industrial applications
Criteria	
Criterion A	Normal operating behavior within the specified limits.
Criterion B	Temporary impairment to operational behavior that is corrected by the device itself.

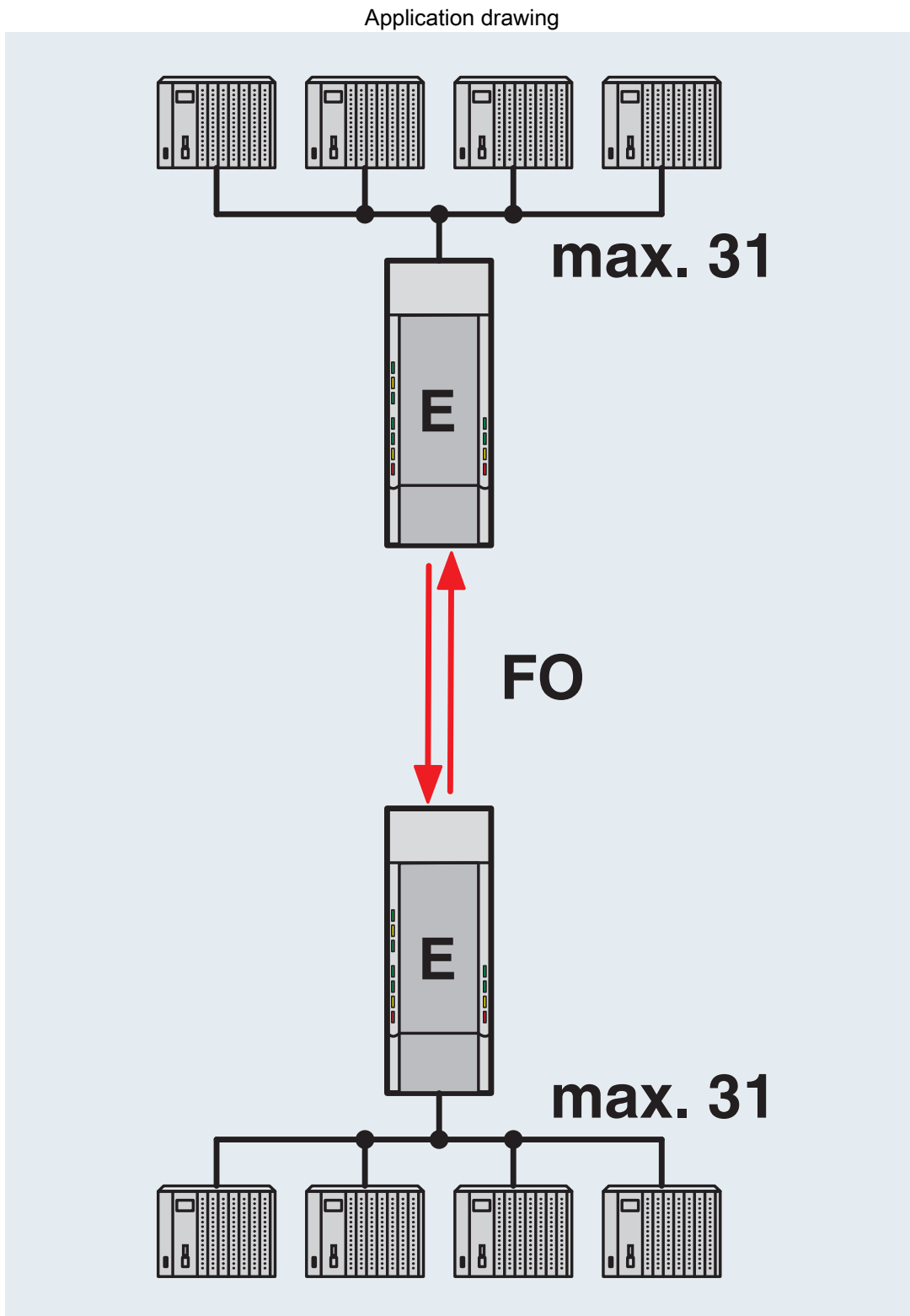
Standards and regulations

Free from substances that could impair the application of coating	in accordance with VW-AUDI-Seat central standard P-VW 3.10.7 57 65 0
Air clearances and creepage distances	
Standards/regulations	DIN EN 60664-1
	VDE 0110-1
	DIN EN 50178
	EN 60950

Mounting

Mounting type	DIN rail mounting
---------------	-------------------

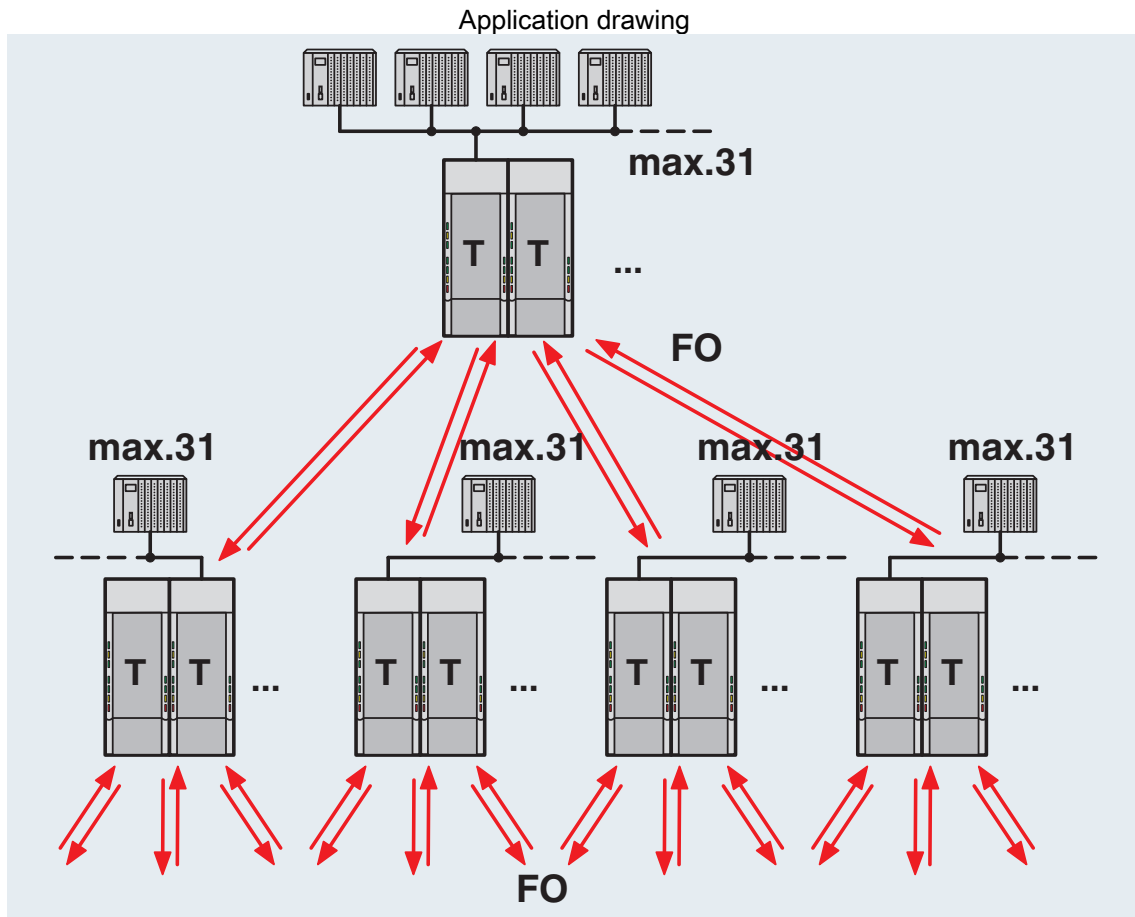
Desene



Point-to-point connection

2708261

<https://www.phoenixcontact.com/ro/produse/2708261>

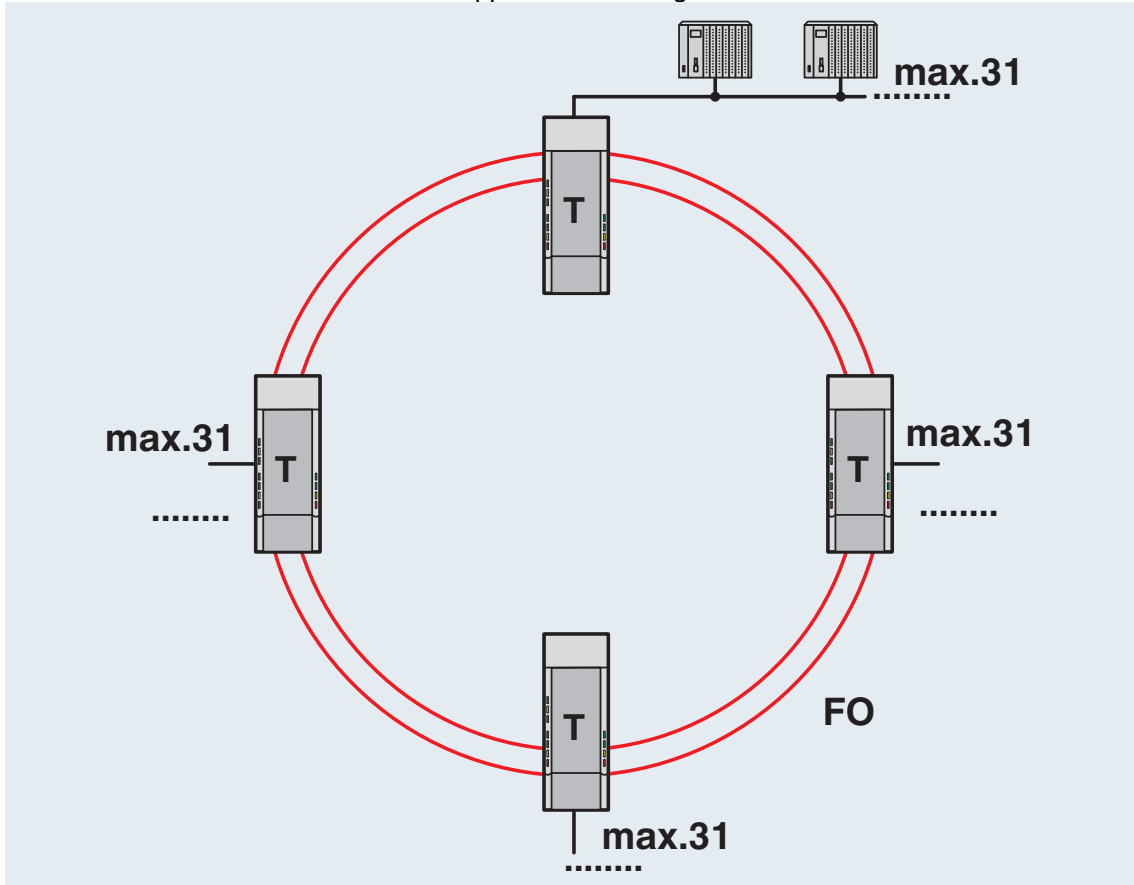


Tree structure

2708261

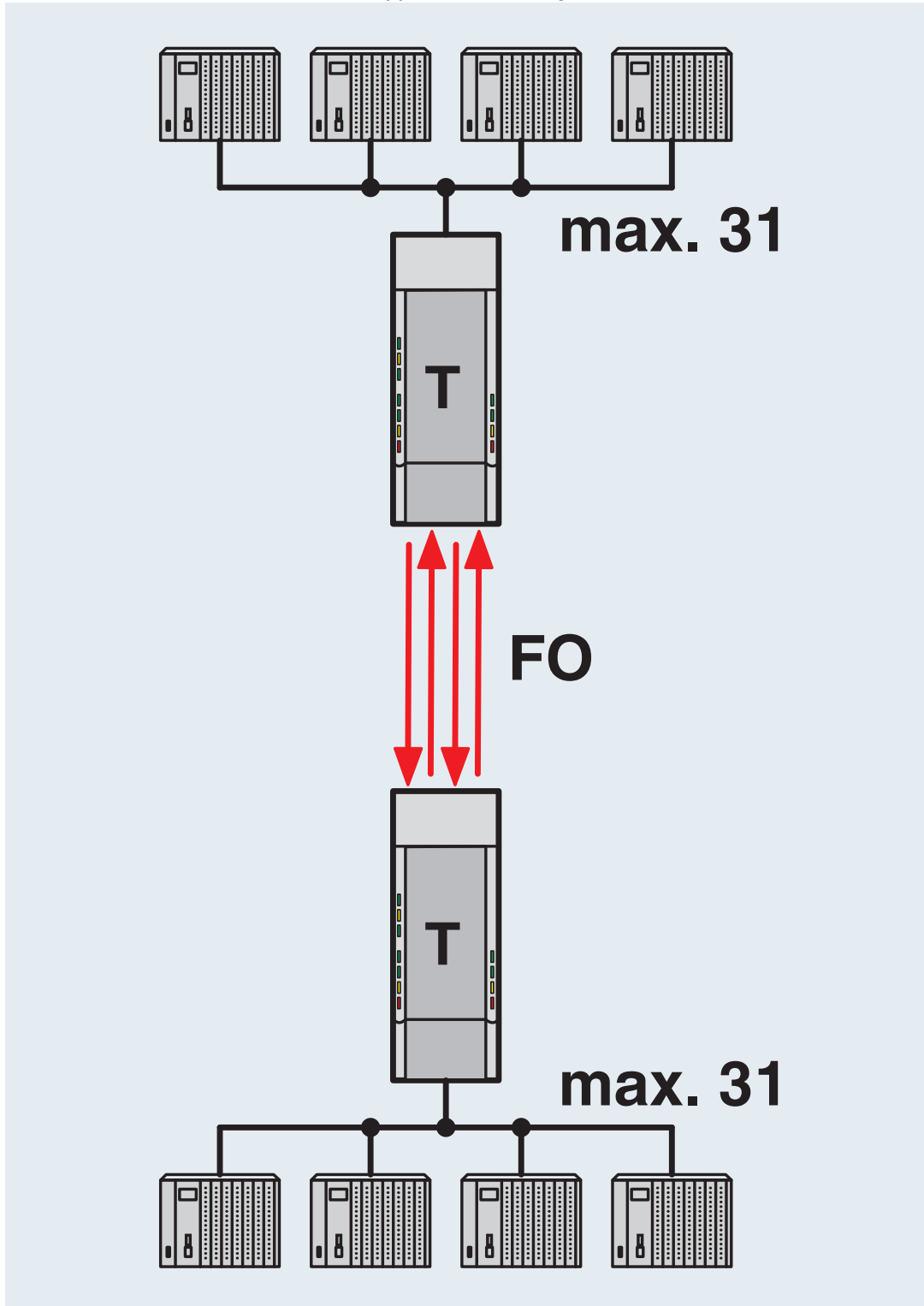
<https://www.phoenixcontact.com/ro/produse/2708261>

Application drawing

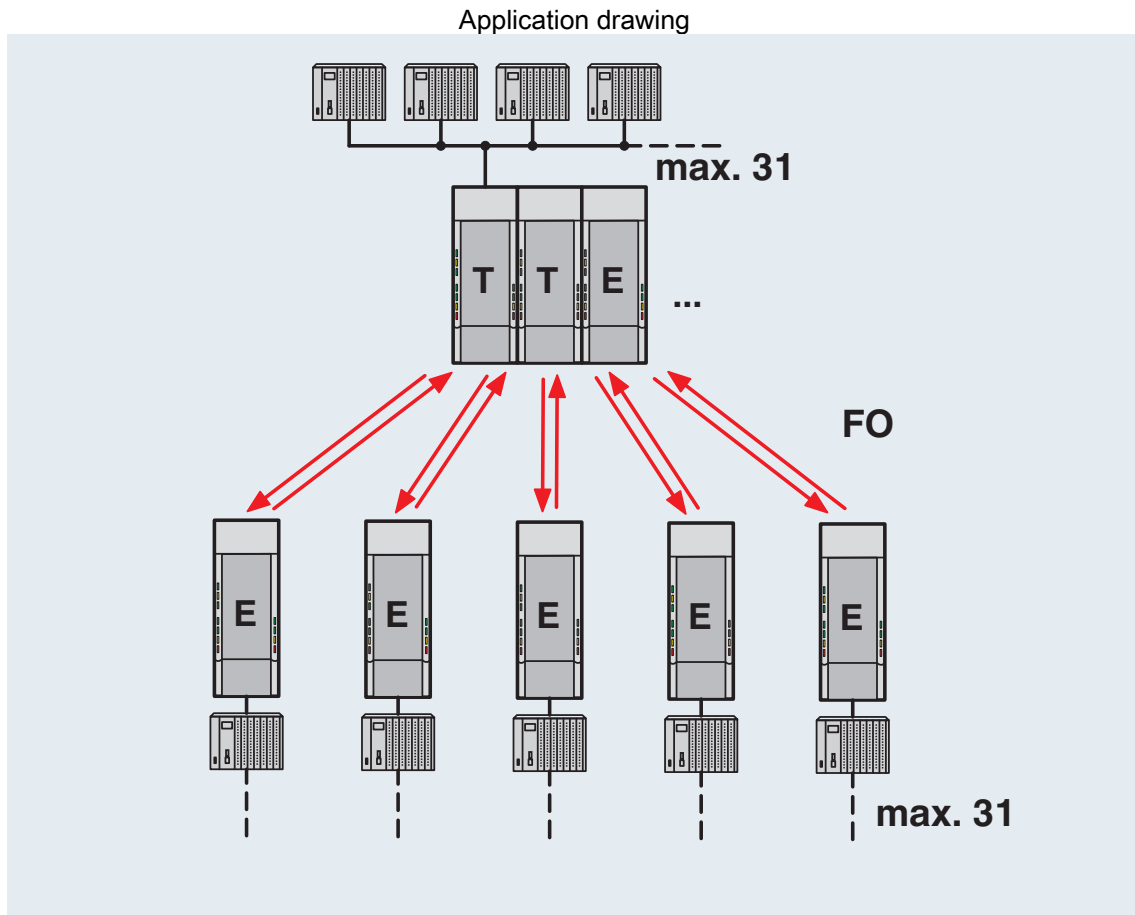


Redundant FO ring

Application drawing



Redundant point-to-point connection

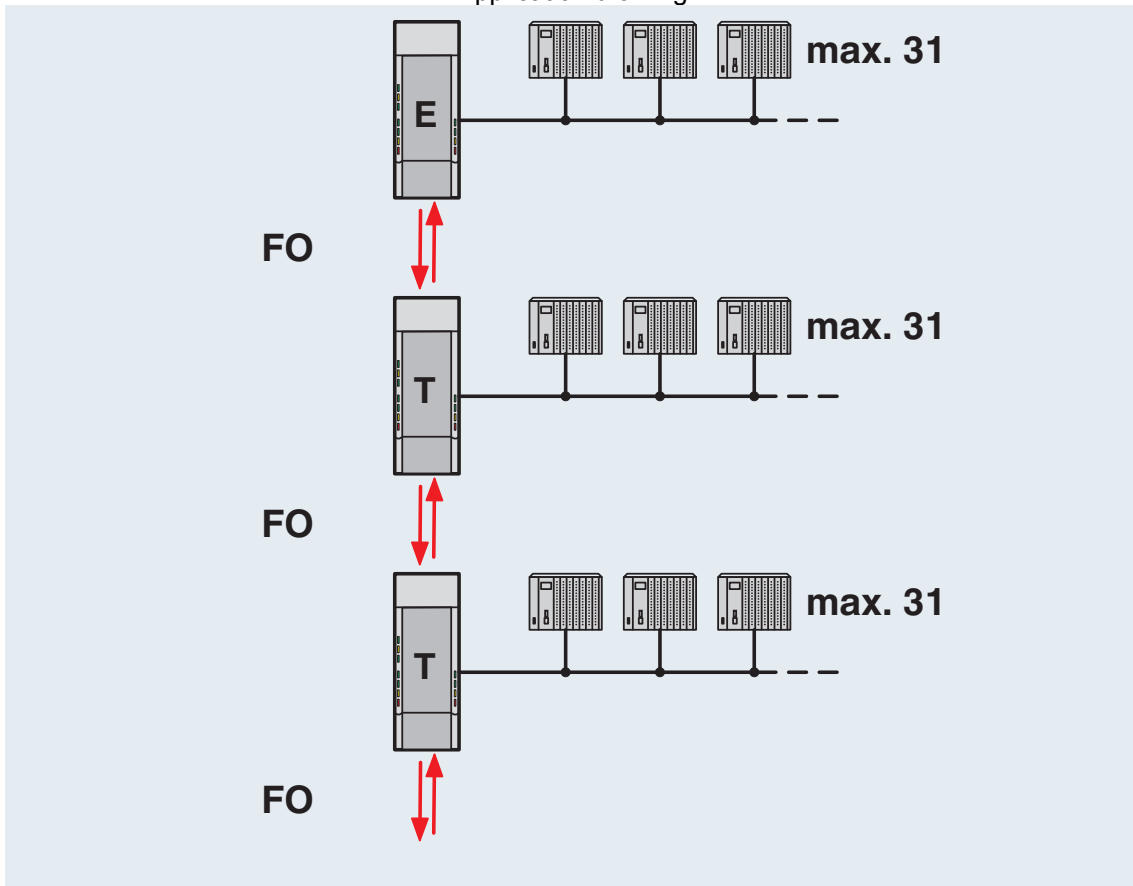


Star structure

2708261

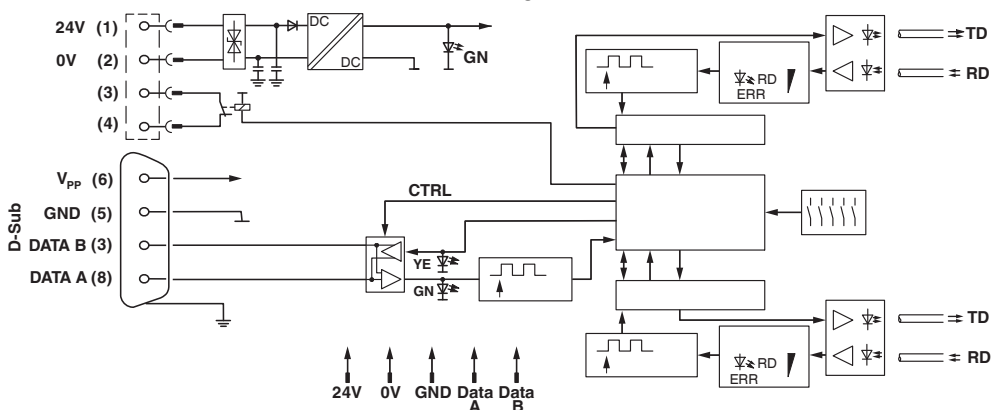
<https://www.phoenixcontact.com/ro/produse/2708261>

Application drawing



Line structure

Block diagram



*) only with PSI-MOS.../FO...T

PSI-MOS-PROFIB/FO 850 T - FO converters



2708261

<https://www.phoenixcontact.com/ro/produse/2708261>

Aprobări

To download certificates, visit the product detail page: <https://www.phoenixcontact.com/ro/produse/2708261>



cUL Recognized
ID de înregistrare: FILE E 238705



UL Recognized
ID de înregistrare: FILE E 238705



EAC
ID de înregistrare: EAC-Zulassung



DNV GL
ID de înregistrare: TAA00001KR



EAC
ID de înregistrare: RU *-DE.A*30.B.01735



KC
ID de înregistrare: MSIP-REI-PCK-2708261

UAE-RoHS

ID de înregistrare: 23-02-63194



ATEX
ID de înregistrare: PTB 06 ATEX 2042U



cUL Listed
ID de înregistrare: FILE E 199827



UL Listed
ID de înregistrare: FILE E 199827

cULus Recognized

PSI-MOS-PROFIB/FO 850 T - FO converters

2708261

<https://www.phoenixcontact.com/ro/produse/2708261>



cULus Listed

PSI-MOS-PROFIB/FO 850 T - FO converters



2708261

<https://www.phoenixcontact.com/ro/produse/2708261>

Clasificări

ECLASS

ECLASS-11.0	19170411
ECLASS-12.0	19170411
ECLASS-13.0	19170411

ETIM

ETIM 9.0	EC001467
----------	----------

UNSPSC

UNSPSC 21.0	43201500
-------------	----------

PSI-MOS-PROFIB/FO 850 T - FO converters



2708261

<https://www.phoenixcontact.com/ro/produce/2708261>

Environmental product compliance

REACH SVHC	Lead 7439-92-1
China RoHS	Environmentally Friendly Use Period = 50 years
	For information on hazardous substances, refer to the manufacturer's declaration available under "Downloads"

PSI-MOS-PROFIB/FO 850 T - FO converters



2708261

<https://www.phoenixcontact.com/ro/produse/2708261>

Accesorii

PSM-SET-B-FOC/4-HCS - FO connectors

2708481

<https://www.phoenixcontact.com/ro/produse/2708481>

FO connectors, degree of protection: IP20, number of positions: 4, MM, material: Metal, connection method: Cable connection, cable outlet: straight



PSM-LWL-HCS-RUGGED-200/230 - FO cable

2799885

<https://www.phoenixcontact.com/ro/produse/2799885>

PCF cable, duplex 200 μm /230 μm , by the meter without male connector, for installation in stationary systems and machines



PSI-MOS-PROFIB/FO 850 T - FO converters

2708261

<https://www.phoenixcontact.com/ro/produce/2708261>

PSM-LWL-HCSO-200/230 - FO cable

2799445

<https://www.phoenixcontact.com/ro/produce/2799445>



PCF cable, duplex 200/230 μm , by the meter, without connector, for outdoor installation

PSM-LWL-GDM-RUGGED- 50/125 - FO cable

2799322

<https://www.phoenixcontact.com/ro/produce/2799322>



Fiber glass cable, duplex 50 μm /125 μm , by the meter, without male connector, for installation in stationary systems and machines

PSI-MOS-PROFIB/FO 850 T - FO converters

2708261

<https://www.phoenixcontact.com/ro/produse/2708261>

PSM-LWL-GDO- 50/125 - FO cable

2799432

<https://www.phoenixcontact.com/ro/produse/2799432>



Fiberglass cable, duplex 50/125 μm , by the meter, without connector, for outdoor installation

QUINT4-SYS-PS/1AC/24DC/2.5/SC - Power supply unit

2904614

<https://www.phoenixcontact.com/ro/produse/2904614>



Primary-switched power supply, QUINT POWER, screw connection, DIN rail mounting, supply of devices possible via the TBUS DIN rail connector, protective coating, input: single-phase, output: 24 V DC/2.5 A

PSI-MOS-PROFIB/FO 850 T - FO converters

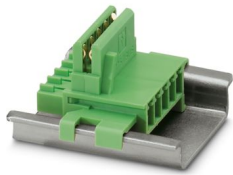
2708261

<https://www.phoenixcontact.com/ro/produce/2708261>

ME 17,5 TBUS 1,5/ 5-ST-3,81 GN - DIN rail bus connectors

2709561

<https://www.phoenixcontact.com/ro/produce/2709561>

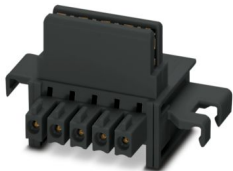


DIN rail connector for DIN rail mounting. Universal for TBUS housing. Gold-plated contacts, 5-pos.

ME 17,5 TBUS 1,5/PP000-3,81 BK - DIN rail bus connectors

2890014

<https://www.phoenixcontact.com/ro/produce/2890014>



DIN rail connector for DIN rail mounting. Universal for TBUS housing. Gold-plated contacts, 2-pos.

PSI-MOS-PROFIB/FO 850 T - FO converters



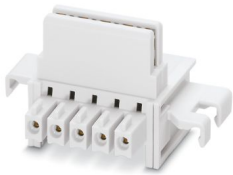
2708261

<https://www.phoenixcontact.com/ro/produce/2708261>

ME 17,5 TBUS 1,5/ 5-ST-3,81 KMGY - DIN rail bus connectors

2713645

<https://www.phoenixcontact.com/ro/produce/2713645>



DIN rail connector, color: light grey, nominal current: 8 A (parallel contacts), rated voltage (III/2): 125 V, number of positions: 5, pitch: 3.81 mm, mounting: DIN rail mounting, locking: without, mounting: without, type of packaging: packed in cardboard, Item with gold-plated contacts, bus connectors for connecting with electronics housings, 5 parallel contacts

PSM-HCS-KONFTOOL/B-FOC - Assembly tool

2708465

<https://www.phoenixcontact.com/ro/produce/2708465>



HCS assembly kit for B-FOC(ST) quick mounting connectors, including stripping blade, stripping pliers, aramide yarn scissors, fiber stripper, microscope, fiber cleaving tool for standard HCS and HCS GI fibers, four B-FOC(ST) connectors for standard HCS fiber, and documentation

PSI-MOS-PROFIB/FO 850 T - FO converters

2708261

<https://www.phoenixcontact.com/ro/produce/2708261>

PSM-FO-POWERMETER - Measuring instrument

2799539

<https://www.phoenixcontact.com/ro/produce/2799539>



Fiber optic measuring case, consisting of an optical power meter, F-SMA, B-FOC adapters, reference fibers and operating instructions

FOC-ADAPTER:ST/ST-MM - Fiber optic coupling

1208099

<https://www.phoenixcontact.com/ro/produce/1208099>



Fiber optic coupling, degree of protection: IP20, number of positions: 1, material: Metal, connection method: Coupling, cable outlet: straight, color: silver/matt, Ethernet

PSI-MOS-PROFIB/FO 850 T - FO converters

2708261

<https://www.phoenixcontact.com/ro/produce/2708261>

SUBCON-PLUS-PROFIB/SC2 - D-SUB bus connector

2708232

<https://www.phoenixcontact.com/ro/produce/2708232>



D-SUB connector, 9-pos., male connector, 35° cable entry, bus system: PROFIBUS DP up to 12 Mbps, termination resistor can be switched on via slide switch, pin assignment: 3, 5, 6, 8; screw connection terminal blocks

SUBCON-PLUS-PROFIB/PG/SC2 - D-SUB bus connector

2708245

<https://www.phoenixcontact.com/ro/produce/2708245>



D-SUB connector, 9-pos., male connector, 35° cable entry, bus system: PROFIBUS DP up to 12 Mbps with PG D-SUB socket for connecting a programming device, termination resistor can be switched on via slide switch, pin assignment: 3, 5, 6, 8; screw connection terminal blocks

PSI-MOS-PROFIB/FO 850 T - FO converters

2708261

<https://www.phoenixcontact.com/ro/produse/2708261>

SUBCON-PLUS-PROFIB/AX/SC - D-SUB bus connector

2744380

<https://www.phoenixcontact.com/ro/produse/2744380>



D-SUB connector, 9-pos., male connector, axial version with two cable entries, bus system: PROFIBUS DP up to 12 Mbps, termination resistor can be switched on via slide switch, pin assignment: 3, 5, 6, 8; screw connection terminal blocks

SZS 0,4X2,5 VDE - Screwdriver

1205037

<https://www.phoenixcontact.com/ro/produse/1205037>



Screwdriver, slot-headed, VDE insulated, size: 0.4 x 2.5 x 80 mm, 2-component grip, with non-slip grip

PSI-MOS-PROFIB/FO 850 T - FO converters

2708261

<https://www.phoenixcontact.com/ro/produce/2708261>



PSM-STRIP-FC/PROFIB - Stripping tool

2744623

<https://www.phoenixcontact.com/ro/produce/2744623>

Quick stripping tool for PROFIBUS cable, type Fast Connect

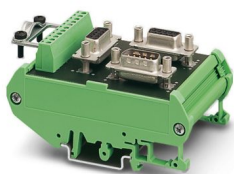


PSM PTK - Connection distributor

2760623

<https://www.phoenixcontact.com/ro/produce/2760623>

Passive RS-485 T-distributor, fitted with one 9-pin D-SUB pin strip and two 9-pin D-SUB socket strips



PSI-MOS-PROFIB/FO 850 T - FO converters

2708261

<https://www.phoenixcontact.com/ro/produce/2708261>

PSM PTK-4 - Connection distributor

2799364

<https://www.phoenixcontact.com/ro/produce/2799364>

Passive RS-485 T-distributor, fitted with one 9-pin D-SUB pin strip and five 9-pin D-SUB socket strips



PSI-REP-PROFIBUS/12MB - Repeater

2708863

<https://www.phoenixcontact.com/ro/produce/2708863>

Modular repeater for electrical isolation and range increase for PROFIBUS up to 12 Mbps, 4-way isolation, rail-mountable, supply 24 V DC



PSI-MOS-PROFIB/FO 850 T - FO converters

2708261

<https://www.phoenixcontact.com/ro/produse/2708261>

PSM-ME-RS485/RS485-P - Repeater

2744429

<https://www.phoenixcontact.com/ro/produse/2744429>



Repeater, for potential separation and range increase in RS-485 2-wire bus systems, 3-way isolation, rail-mountable

PSM-CABLE-PROFIB/FC - Bus system cable

2744652

<https://www.phoenixcontact.com/ro/produse/2744652>



By the meter, Bus system cable, PROFIBUS (12 Mbps), shielded, PVC FR VI/PVC, violet, 2-wire (1x2xAWG22/1), color single wire: red, green, cable length: Free entry (1.0 ... 1000.0 m)

PSI-MOS-PROFIB/FO 850 T - FO converters

2708261

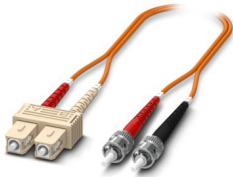
<https://www.phoenixcontact.com/ro/produce/2708261>

FOC-ST:PA-SC:PA-OM2:D01/1 - FO patch cable

1115574

<https://www.phoenixcontact.com/ro/produce/1115574>

Multi-mode OM2 duplex jumper, ST-SC, UPC polishing, length 1 m

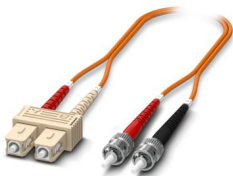


FOC-ST:PA-SC:PA-OM2:D01/2 - FO patch cable

1115573

<https://www.phoenixcontact.com/ro/produce/1115573>

Multi-mode OM2 duplex jumper, ST-SC, UPC polishing, length 2 m



PSI-MOS-PROFIB/FO 850 T - FO converters

2708261

<https://www.phoenixcontact.com/ro/produce/2708261>

FOC-ST:PA-ST:PA-OM2:D01/1 - FO patch cable

1115560

<https://www.phoenixcontact.com/ro/produce/1115560>

Multi-mode OM2 duplex jumper, ST-ST, UPC polishing, length 1 m



FOC-ST:PA-ST:PA-OM2:D01/2 - FO patch cable

1115557

<https://www.phoenixcontact.com/ro/produce/1115557>

Multi-mode OM2 duplex jumper, ST-ST, UPC polishing, length 2 m



PSI-MOS-PROFIB/FO 850 T - FO converters

2708261

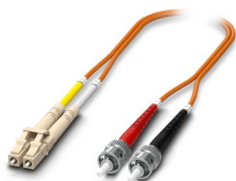
<https://www.phoenixcontact.com/ro/produce/2708261>

FOC-LC:PA-ST:PA-OM2:D01/1 - Fiber optic cable

1115588

<https://www.phoenixcontact.com/ro/produce/1115588>

Multi-mode OM2 duplex jumper, LC-ST, UPC polishing, length 1 m

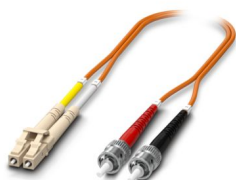


FOC-LC:PA-ST:PA-OM2:D01/2 - Fiber optic cable

1115587

<https://www.phoenixcontact.com/ro/produce/1115587>

Multi-mode OM2 duplex jumper, LC-ST, UPC polishing, length 2 m



PSI-MOS-PROFIB/FO 850 T - FO converters

2708261

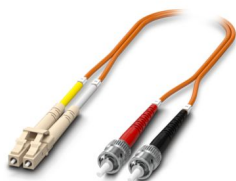
<https://www.phoenixcontact.com/ro/produce/2708261>

FOC-LC:PA-ST:PA-OM1:D01/1 - FO patch cable

1146499

<https://www.phoenixcontact.com/ro/produce/1146499>

Multi-mode OM1 duplex jumper, LC-ST, UPC polishing, length 1 m

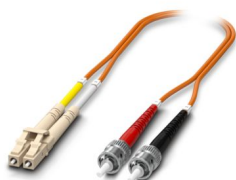


FOC-LC:PA-ST:PA-OM1:D01/2 - FO patch cable

1146508

<https://www.phoenixcontact.com/ro/produce/1146508>

Multi-mode OM1 duplex jumper, LC-ST, UPC polishing, length 2 m



PSI-MOS-PROFIB/FO 850 T - FO converters

2708261

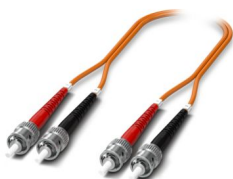
<https://www.phoenixcontact.com/ro/produse/2708261>

FOC-ST:PA-ST:PA-OM1:D01/1 - FO patch cable

1146501

<https://www.phoenixcontact.com/ro/produse/1146501>

Multi-mode OM1 duplex jumper, ST-ST, UPC polishing, length 1 m



FOC-ST:PA-ST:PA-OM1:D01/2 - FO patch cable

1146509

<https://www.phoenixcontact.com/ro/produse/1146509>

Multi-mode OM1 duplex jumper, ST-ST, UPC polishing, length 2 m



PSI-MOS-PROFIB/FO 850 T - FO converters

2708261

<https://www.phoenixcontact.com/ro/produce/2708261>



PSI-TERMINATOR-PB-TBUS - Termination resistor

2702636

<https://www.phoenixcontact.com/ro/produce/2702636>



Active termination resistor for PROFIBUS and RS-485 bus systems, redundant power supply, routing of the supply voltage via DIN rail connector, electrical isolation, switchable termination, integrated programming interface

SUBCON-PLUS-PROFIB/AX/M12 - D-SUB bus connector

2902321

<https://www.phoenixcontact.com/ro/produce/2902321>



D-SUB plug, 9-pos., pin, assignment: 3, 5, 6, 8; two M12 cable glands (B-coded) under 180° (axial). Bus system: PROFIBUS DP up to 12 Mbps. Termination resistor via separate M12 terminator.

PSI-MOS-PROFIB/FO 850 T - FO converters

2708261

<https://www.phoenixcontact.com/ro/produce/2708261>

SUBCON-PLUS-PROFIB/90X/M12 - D-SUB bus connector

2902729

<https://www.phoenixcontact.com/ro/produce/2902729>

D-SUB plug, 9-pos., pin, assignment: 3, 5, 6, 8; two 90° cable entries M12 (B-coded). Bus system: PROFIBUS DP up to 12 Mbps. Termination resistor via separate M12 terminator. Long version; S7-compatible.



SUBCON-PLUS-PROFIB/90/M12 - D-SUB bus connector

2902318

<https://www.phoenixcontact.com/ro/produce/2902318>

D-SUB plug, 9-pos., pin, assignment: 3, 5, 6, 8; two 90° M12 cable glands (B-coded). Bus system: PROFIBUS DP up to 12 Mbps. Termination resistor via separate M12 terminator.



PSI-MOS-PROFIB/FO 850 T - FO converters

2708261

<https://www.phoenixcontact.com/ro/produce/2708261>

SUBCON-PLUS-PROFIB/35/M12 - D-SUB bus connector

2902320

<https://www.phoenixcontact.com/ro/produce/2902320>



D-SUB plug, 9-pos., pin, assignment: 3, 5, 6, 8; two 35° cable entries M12 (B-coded). Bus system: PROFIBUS DP up to 12 Mbps. Termination resistor via separate M12 terminator.

FOC-HCS-RUGGED-1014/... - FO patch cable

1402191

<https://www.phoenixcontact.com/ro/produce/1402191>



rugged PCF installation cable for inner areas with highly tear-proof aramid strain-relief elements. Individual elements made from highly flexible FRNC material. The cable is halogen-free, ozone and UV resistant and has a rugged polyurethane (PUR) outer sheath.

PSI-MOS-PROFIB/FO 850 T - FO converters



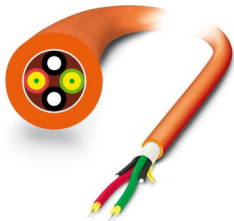
2708261

<https://www.phoenixcontact.com/ro/produse/2708261>

FOC-GDM-RUGGED-1016/IP20/... - FO patch cable

2901558

<https://www.phoenixcontact.com/ro/produse/2901558>



Robust GOF installation cable for assembly (IP20 heads only) for installation in stationary systems and machines, aramid strain-relief elements, with individual elements made from FRNC material, halogen-free, ozone and UV resistant, with a polyurethane (PUR) outer sheath

FOC-GDO-1017/IP20/... - FO patch cable

2901559

<https://www.phoenixcontact.com/ro/produse/2901559>



Highly rugged GOF round cable (IP20 heads only) for assembly and for outdoor installation with integrated moisture barrier as well as rodent-proof scrim. Individual elements made from highly flexible FRNC material. The wire is ozone and UV resistant with a very rugged polyethylene outer sheath.

Phoenix Contact 2024 © - Toate drepturile rezervate
<https://www.phoenixcontact.com>

PHOENIX CONTACT România
Splaiul Unirii 165 Timpuri Noi Square TNO1, Etaj 1
Bucuresti 030133
+40 21 350 88 12 - 3
sales.ro@phoenixcontact.com