

Reach-around protection for Busbars, system Rittal, for size NH3, accessory for fuse switch disconnecter 3NP1



Model		
product brand name	SENTRON	
product designation	Reach-around protection for busbars	
design of the product	accessories for 3NP1 fuse switch disconnectors	
suitability for use	spare part, for 3NP1, 3-pole, NH3	
Accessories		
accessories	Rittal system, for size NH3	
Mechanical Design		
Net Weight	48 g	
Approvals Certificates		
Environment	General Product Approval	Maritime application

[Environmental Con-  
firmations](#)

[Environmental Con-  
firmations](#)

[Miscellaneous](#)



### Further information

#### Information on the packaging

<https://support.industry.siemens.com/cs/ww/en/view/109813875>

#### Information for data generation and storage

<https://support.industry.siemens.com/cs/ww/en/view/109995012>

#### Information- and Downloadcenter (Catalogs, Brochures,...)

<https://www.siemens.com/lowvoltage/catalogs>

#### Industry Mall (Online ordering system)

<https://mall.industry.siemens.com/mall/en/en/Catalog/product?mlfb=3NP1963-1CA20>

#### Service&Support (Manuals, Certificates, Characteristics, FAQs,...)

<https://support.industry.siemens.com/cs/ww/en/ps/3NP1963-1CA20>

#### Image database (product images, 2D dimension drawings, 3D models, device circuit diagrams, ...)

[https://www.automation.siemens.com/bilddb/cax\\_en.aspx?mlfb=3NP1963-1CA20](https://www.automation.siemens.com/bilddb/cax_en.aspx?mlfb=3NP1963-1CA20)

#### CAX-Online-Generator

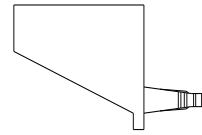
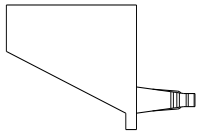
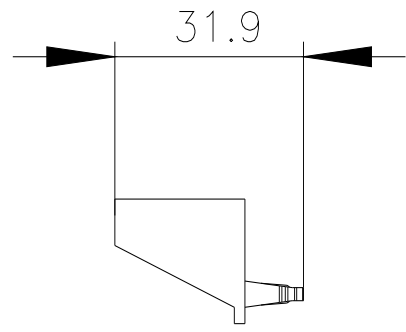
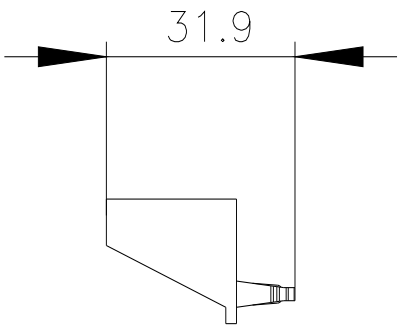
<https://www.siemens.com/cax>

#### Tender specifications

<https://www.siemens.com/specifications>

#### Characteristic curves

[https://curves.simaris.siemens.com/curves/<mmp\\_prod\\_noCOMP="HAUPT"></mmp\\_prod\\_no>](https://curves.simaris.siemens.com/curves/<mmp_prod_noCOMP=)



---

last modified:

4/12/2025 