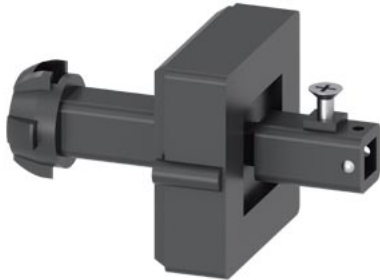


Coupling tolerance compensation 6x6 mm, accessory for: door-coupling rotary operating mechanism shaft 6x 6 mm, 3LD5 UL, 3KD0



Model		
product brand name	SETRON	
product designation	mounting tolerance compensation	
size of cross-section of the shaft of door-coupling rotary operating mechanism	6x6 mm	
suitability for use	for door mounted rotary operator shaft 6x 6 mm, 3LD5 UL	
Product details		
product description	6x 6 mm	
product component		
• extension shaft	No	
Accessories		
accessories	Mounting tolerance compensation	
Mechanical Design		
height	50 mm	
width	55.6 mm	
depth	85.4 mm	
Net Weight	59 g	
Approvals Certificates		
Environment	General Product Approval	Maritime application

[Environmental Conformations](#)



Further information

Information on the packaging

<https://support.industry.siemens.com/cs/ww/en/view/109813875>

Information for data generation and storage

<https://support.industry.siemens.com/cs/ww/en/view/109995012>

Information- and Downloadcenter (Catalogs, Brochures,...)

<https://www.siemens.com/lowvoltage/catalogs>

Industry Mall (Online ordering system)

<https://mall.industry.siemens.com/mall/en/en/Catalog/product?mlfb=8UD1900-1GA00>

Service&Support (Manuals, Certificates, Characteristics, FAQs,...)

<https://support.industry.siemens.com/cs/ww/en/ps/8UD1900-1GA00>

Image database (product images, 2D dimension drawings, 3D models, device circuit diagrams, ...)

https://www.automation.siemens.com/bilddb/cax_en.aspx?mlfb=8UD1900-1GA00

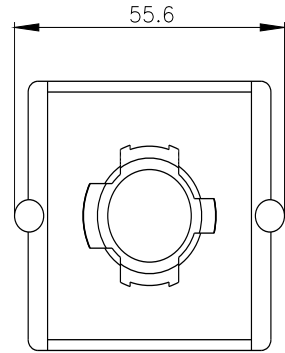
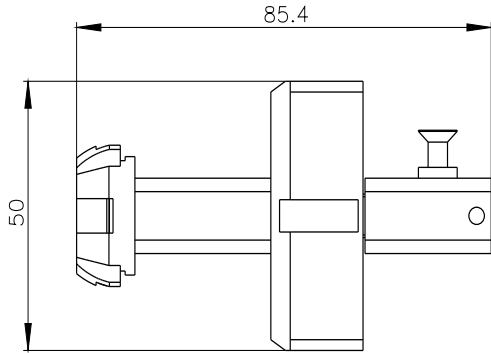
CAX-Online-Generator

<https://www.siemens.com/cax>

Tender specifications

<https://www.siemens.com/specifications>

Characteristic curves



last modified:

4/4/2025 

