

Pin busbar, 10 mm<sup>2</sup> connection: 2x (1-phase+AUX/FS) touch-safe

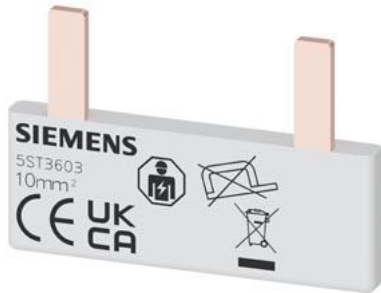


Figure similar

product brand name	SENTRON
product designation	Pin busbar
design of the product	2x (1PH+HS)
design of the phase tap	L1/L1
<b>General technical data</b>	
compatibility	for 2 MCBs 1P
design of pole	1 pole
phase number	1
operational current rated value	63 A
suitability for interaction devices with auxiliary switch	Yes
suitability for interaction devices with N conductor	No
color	light grey
<b>Product details</b>	
product feature attachable arc fault detection device	No
product feature insulated	Yes
product function	
• suitable for compact devices	No
• can be cut	No
number of devices suitable for fitting	2
type of electrical connection	Pin
<b>Mechanical Design</b>	
module width	18 mm
height	14 mm
width	3 mm
length	40 mm
number of modular width units	2
cross-section	10 mm <sup>2</sup>
angle of the pin of busbar	0°
Net Weight	10 g
<b>Approvals Certificates</b>	
Environment	General Product Approval

[Environmental Con-  
firmations](#)

[Environmental Con-  
firmations](#)

[Miscellaneous](#)



**Information on the packaging**

<https://support.industry.siemens.com/cs/ww/en/view/109813875>

**Information for data generation and storage**

<https://support.industry.siemens.com/cs/ww/en/view/109995012>

**Information- and Downloadcenter (Catalogs, Brochures,...)**

<https://www.siemens.com/lowvoltage/catalogs>

**Industry Mall (Online ordering system)**

<https://mall.industry.siemens.com/mall/en/en/Catalog/product?mlfb=5ST3603>

**Service&Support (Manuals, Certificates, Characteristics, FAQs,...)**

<https://support.industry.siemens.com/cs/ww/en/ps/5ST3603>

**Image database (product images, 2D dimension drawings, 3D models, device circuit diagrams, ...)**

[https://www.automation.siemens.com/bilddb/cax\\_en.aspx?mlfb=5ST3603](https://www.automation.siemens.com/bilddb/cax_en.aspx?mlfb=5ST3603)

**CAX-Online-Generator**

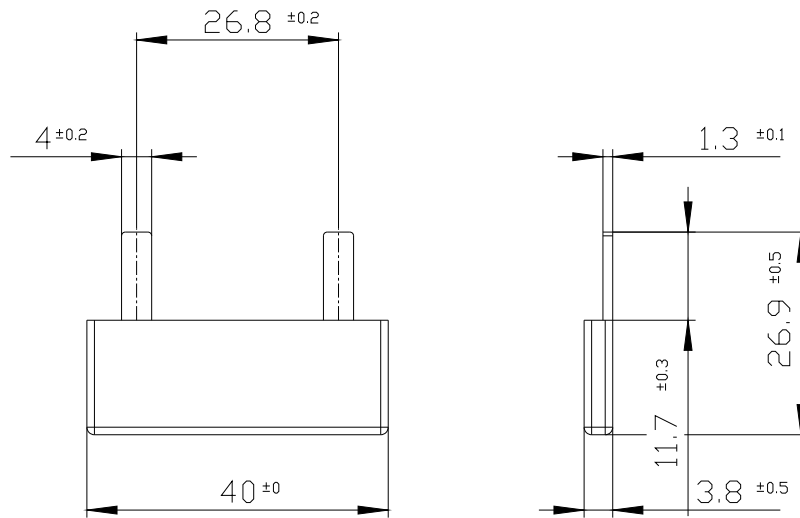
<https://www.siemens.com/cax>

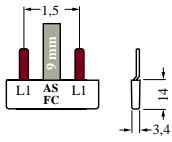
**Tender specifications**

<https://www.siemens.com/specifications>

**Characteristic curves**

[https://curves.simaris.siemens.com/curves/<mmp\\_prod\\_noCOMP='HAUPT'></mmp\\_prod\\_no>](https://curves.simaris.siemens.com/curves/<mmp_prod_noCOMP='HAUPT'></mmp_prod_no>)





---

last modified:

8/8/2025 

