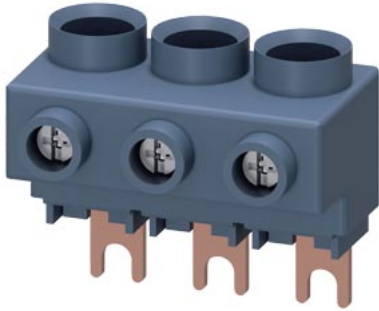


3-phase supply terminal for 3-phase busbar connection from top Size S00/S0



product brand name	SIRIUS
product category	Plugs, adapters and terminals
product designation	3-phase supply terminal
design of the product	from above, size S0/S00
product type designation	3RV29
General technical data	
certificate of suitability	CE / UL / CSA / CCC
size of the circuit-breaker	S00, S0
insulation voltage with degree of pollution 3 at AC rated value	690 V
protection class IP on the front according to IEC 60529	IP20
Substance Prohibittance (Date)	10/01/2009
Net Weight	0.045 kg
ampacity maximum	63 A
Ambient conditions	
ambient temperature	
• during operation	-20 ... +60 °C
• during storage	-50 ... +80 °C
Electrical Safety	
protection class IP on the front according to IEC 60529	IP20
touch protection on the front according to IEC 60529	finger-safe, for vertical contact from the front
Installation/ mounting/ dimensions	
height	39 mm
width	45 mm
depth	27 mm
Connections/ Terminals	
type of electrical connection for main current circuit	screw-type terminals
type of connectable conductor cross-sections	
• for main contacts	
— solid	1x (2.5 ... 16 mm ²)
— stranded	1x (2.5 ... 25 mm ²)
— finely stranded with core end processing	1x (2.5 ... 16 mm ²)
• for AWG cables for main contacts	1x (10 ... 4)
connectable conductor cross-section for main contacts	
• solid or stranded	2.5 ... 16 mm ²
• stranded	2.5 ... 25 mm ²
• finely stranded with core end processing	2.5 ... 16 mm ²
AWG number as coded connectable conductor cross section for main contacts	10 ... 4
Approvals Certificates	

Environmental Product Declaration

- global warming potential [CO2 eq] / during manufacturing 0.161 kg
- global warming potential [CO2 eq] / during operation 139 kg
- global warming potential [CO2 eq] / after end of life -0.0558 kg
- global warming potential [CO2 eq] / total 139 kg

Environment

General Product Approval

Maritime application

[Environmental Confirmations](#)



Maritime application

other



other

[Confirmation](#)

[Miscellaneous](#)

Further information

Information on the packaging

<https://support.industry.siemens.com/cs/ww/en/view/109813875>

Information for data generation and storage

<https://support.industry.siemens.com/cs/ww/en/view/109995012>

Information- and Downloadcenter (Catalogs, Brochures,...)

<https://www.siemens.com/ic10>

Industry Mall (Online ordering system)

<https://mall.industry.siemens.com/mall/en/en/Catalog/product?mlfb=3RV2925-5AB>

Cax online generator

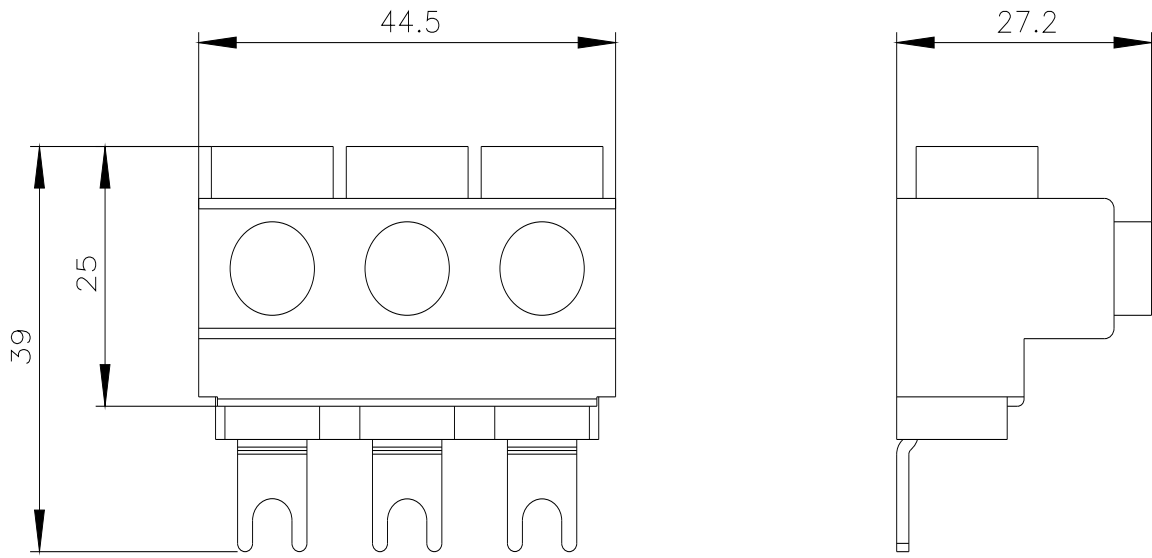
<https://support.automation.siemens.com/WW/CAXorder/default.aspx?lang=en&mlfb=3RV2925-5AB>

Service&Support (Manuals, Certificates, Characteristics, FAQs,...)

<https://support.industry.siemens.com/cs/ww/en/ps/3RV2925-5AB>

Image database (product images, 2D dimension drawings, 3D models, device circuit diagrams, EPLAN macros, ...)

https://www.automation.siemens.com/bilddb/cax_de.aspx?mlfb=3RV2925-5AB&lang=en



last modified:

4/2/2025 