



Separate actuator, with vertical fixing for position switch with tumbler 3SE5312/3SE5322 and AS-i 3SF13 and position switch with separate actuator 3SE51/3SE52 and AS-i 3SF11/3SF12

product brand name	SIRIUS		
product designation	actuator		
product type designation	3SE5		
<b>General technical data</b>			
shock resistance			
• according to IEC 60068-2-27	30 g / 11 ms		
vibration resistance			
• according to IEC 60068-2-6	0.35 mm/5 g		
mechanical service life (operating cycles) typical	1 000 000		
reference code according to IEC 81346-2	T		
active principle	mechanical		
Substance Prohibitance (Date)	07/01/2006		
Net Weight	66 g		
<b>Ambient conditions</b>			
ambient temperature			
• during operation	-25 ... +85 °C		
• during storage	-40 ... +90 °C		
<b>Drive Head</b>			
design of the actuating element	Actuator with vertical attachment, die-cast zinc		
<b>Installation/ mounting/ dimensions</b>			
mounting position	any		
fastening method	screw fixing		
<b>Approvals Certificates</b>			
General Product Approval	Test Certificates	other	Environment



[Type Test Certificates/Test Report](#)

[Confirmation](#)

[Environmental Confirmations](#)

### Further information

Information on the packaging

<https://support.industry.siemens.com/cs/ww/en/view/109813875>

Information for data generation and storage

<https://support.industry.siemens.com/cs/ww/en/view/109995012>

Information- and Downloadcenter (Catalogs, Brochures,...)

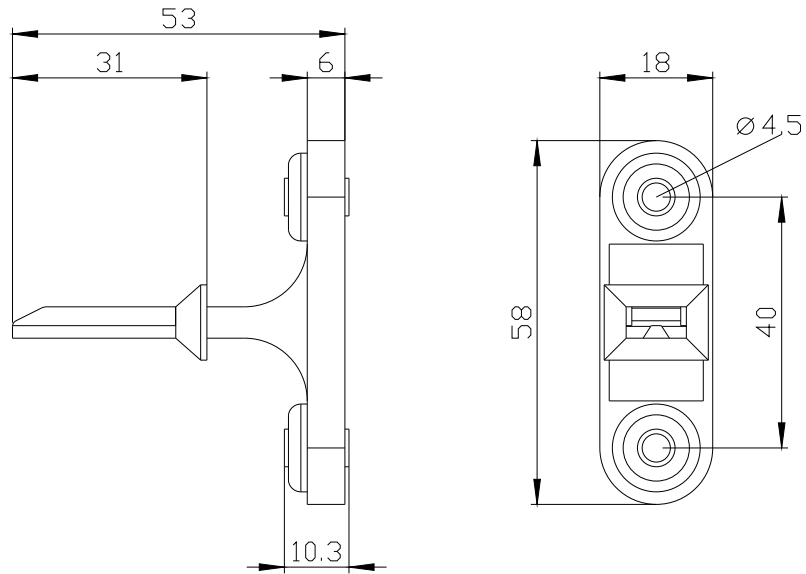
<https://www.siemens.com/ic10>

Industry Mall (Online ordering system)

<https://mall.industry.siemens.com/mall/en/en/Catalog/product?mlfb=3SE5000-0AV02>

Cax online generator

<https://support.automation.siemens.com/WW/CAXorder/default.aspx?lang=en&mlfb=3SE5000-0AV02>



last modified:

4/4/2026 