



Figure similar

position switch metal enclosure 40 mm according to EN 50041, 1 NO/1 NC quick action contacts, with 2 LEDs, yellow/green, 24 V DC, roller plunger with stainless steel roller 13 mm pin assignment: Pin1=21, Pin2=22 Pin3=13 and LED green, Pin4=14 and LED yellow, Pin5=ground LED

<b>product brand name</b>	SIRIUS
<b>product designation</b>	Mechanical position switches
<b>product type designation</b>	3SE5
<b>manufacturer's article number</b>	
<ul style="list-style-type: none"> <li>• of the supplied basic switch</li> <li>• of the supplied actuator head for position switches</li> <li>• of the supplied switching contacts</li> </ul>	<a href="#">3SE5114-1CA00-0AF3</a> <a href="#">3SE5000-0AD02</a> <a href="#">3SE5000-0CA00</a>
suitability for use safety switch	Yes
<b>General technical data</b>	
product function positive opening	Yes
insulation voltage rated value	125 V
degree of pollution	class 3
surge voltage resistance rated value	0.8 kV
protection class IP	IP66/IP67
shock resistance	
<ul style="list-style-type: none"> <li>• according to IEC 60068-2-27</li> </ul>	30 g / 11 ms
vibration resistance according to IEC 60068-2-6	0.35 mm/5 g
mechanical service life (operating cycles) typical	15 000 000
thermal current	4 A
material of the enclosure of the switch head	metal
reference code according to IEC 81346-2	B
continuous current of the C characteristic MCB	1 A; for a short-circuit current smaller than 400 A
continuous current of the quick DIAZED fuse link	4 A; for a short-circuit current smaller than 400 A
continuous current of the DIAZED fuse link gG	4 A
active principle	mechanical
repeat accuracy	0.05 mm
operating resource protection class	III (according to EN 60536)
Substance Prohibitance (Date)	07/01/2006
SVHC substance name	Lead CAS-No. 7439-92-1 Imidazolidine-2-thione (2-imidazoline-2-thiol) CAS-No. 96-45-7
Net Weight	0.375 kg
minimum actuating force in directions of actuation	20 N
length of the sensor	130.5 mm
width of the sensor	40 mm
<b>Ambient conditions</b>	
ambient temperature	
<ul style="list-style-type: none"> <li>• during operation</li> <li>• during storage</li> </ul>	-25 ... +60 °C -40 ... +90 °C

explosion protection category for dust	none		
<b>Main circuit</b>			
design of the switching contact	mechanical		
number of NC contacts for auxiliary contacts	1		
number of NO contacts for auxiliary contacts	1		
operational current at DC-13	3 A		
• at 24 V rated value			
<b>Enclosure</b>			
design of the housing	block, narrow		
material of the enclosure	metal		
coating of the enclosure	cathodic dip coating		
design of the housing according to standard	Yes		
<b>Drive Head</b>			
design of the actuating element	Roller plunger, high-grade steel roller		
standard-compliant actuator head	EN 50041, design C		
shape of the switch head	roller		
design of the switching function	positive opening		
circuit principle	snap-action contacts		
number of switching contacts safety-related	1		
cable entry type	M12 plug		
design of plug-in connection	M12 plug, 5-pole: Pin 1 = terminal 21, Pin 2 = 22, Pin 3 = 13/LED green, Pin 4 = 14/LED yellow, Pin 5 = ground LED		
<b>Installation/ mounting/ dimensions</b>			
mounting position	any		
fastening method	screw fixing		
<b>Connections/ Terminals</b>			
type of electrical connection	M12 plug, fixed		
<b>Supply voltage</b>			
type of voltage of the supply voltage of the optional LED display	DC		
supply voltage of LED	24 V		
•			
design of the interface for safety-related communication	without		
<b>Communication/ Protocol</b>			
design of the interface	without		
<b>Safety related data</b>			
product function suitable for safety function	Yes		
service life maximum	20 a		
test wear-related service life necessary	Yes		
proportion of dangerous failures	20 %		
• with low demand rate according to SN 31920			
• with high demand rate according to SN 31920			
B10 value with high demand rate according to SN 31920	1 000 000		
failure rate [FIT] with low demand rate according to SN 31920	100 FIT		
<b>ISO 13849</b>			
device type according to ISO 13849-1	3		
<b>IEC 61508</b>			
safety device type according to IEC 61508-2	A		
<b>Approvals Certificates</b>			
General Product Approval	Test Certificates	other	Environment



[Type Test Certificates/Test Report](#)

[Confirmation](#)

[Environmental Confirmations](#)

Environment



#### Further information

##### Information on the packaging

<https://support.industry.siemens.com/cs/ww/en/view/109813875>

##### Information for data generation and storage

<https://support.industry.siemens.com/cs/ww/en/view/109995012>

##### Information- and Downloadcenter (Catalogs, Brochures,...)

<https://www.siemens.com/ic10>

##### Industry Mall (Online ordering system)

<https://mall.industry.siemens.com/mall/en/en/Catalog/product?mlfb=3SE5114-1CD02-1AF3>

##### Cax online generator

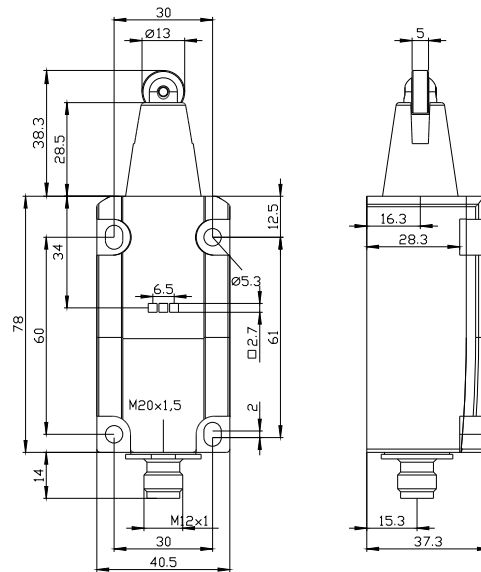
<https://support.automation.siemens.com/WW/CAXorder/default.aspx?lang=en&mlfb=3SE5114-1CD02-1AF3>

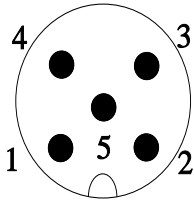
##### Service&Support (Manuals, Certificates, Characteristics, FAQs,...)

<https://support.industry.siemens.com/cs/ww/en/ps/3SE5114-1CD02-1AF3>

##### Image database (product images, 2D dimension drawings, 3D models, device circuit diagrams, EPLAN macros, ...)

[https://www.automation.siemens.com/bilddb/cax\\_de.aspx?mlfb=3SE5114-1CD02-1AF3&lang=en](https://www.automation.siemens.com/bilddb/cax_de.aspx?mlfb=3SE5114-1CD02-1AF3&lang=en)





1	BN = Brown	→	21
2	WH = White	→	22
3	BU = Blue	→	13+LED-Green
4	BK = Black	→	14+LED-Yellow
5	GY = Grey	→	GND LED

