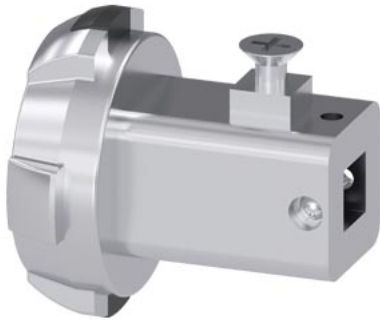


Door-coupling Size 8x 8 mm, large head Accessory for: Door-coupling rotary operating mechanism Shaft 8x 8 mm, 3KD



Model		
product brand name	SETRON	
product designation	door coupling	
design of the product	size 8x 8 mm	
size of cross-section of the shaft of door-coupling rotary operating mechanism	8x8 mm	
suitability for use	for door mounted rotary operator shaft 8x 8 mm, 3KD	
Product details		
product description	large head	
product component		
• extension shaft	No	
Accessories		
accessories	Door coupling	
Mechanical Design		
Net Weight	86 g	
Approvals Certificates		
Environment	General Product Approval	Maritime application

[Environmental Confirmations](#)



Further information

Information on the packaging

<https://support.industry.siemens.com/cs/ww/en/view/109813875>

Information for data generation and storage

<https://support.industry.siemens.com/cs/ww/en/view/109995012>

Information- and Downloadcenter (Catalogs, Brochures,...)

<https://www.siemens.com/lowvoltage/catalogs>

Industry Mall (Online ordering system)

<https://mall.industry.siemens.com/mall/en/en/Catalog/product?mlfb=8UD1900-6HA00>

Service&Support (Manuals, Certificates, Characteristics, FAQs,...)

<https://support.industry.siemens.com/cs/ww/en/ps/8UD1900-6HA00>

Image database (product images, 2D dimension drawings, 3D models, device circuit diagrams, ...)

https://www.automation.siemens.com/bilddb/cax_en.aspx?mlfb=8UD1900-6HA00

CAx-Online-Generator

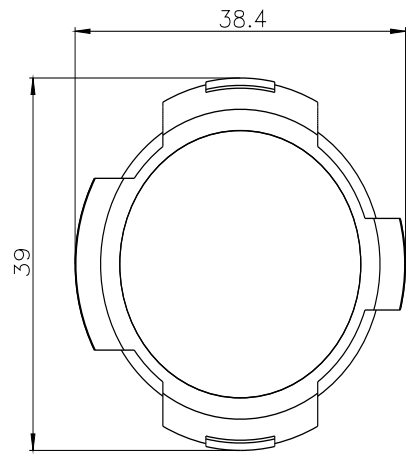
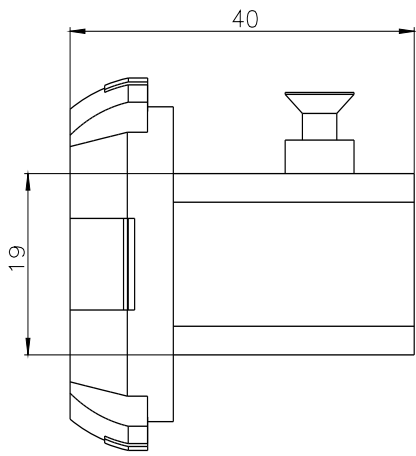
<https://www.siemens.com/cax>

Tender specifications

<https://www.siemens.com/specifications>

Characteristic curves

[https://curves.simaris.siemens.com/curves/<mmp_prod_noCOMP="HAUPT"></mmp_prod_no>](https://curves.simaris.siemens.com/curves/<mmp_prod_noCOMP=)



last modified:

4/4/2025 

