



DELTA extension claws for device inserts with rubber (1 set=10 units in bag)



Model	
product brand name	DELTA
product designation	Extension claws for device inserts
design of the product	With rubber (1 set=10 units per bag)

Mechanical Design	
width	12 mm
Net Weight	119 g

Approvals Certificates		
Environment	General Product Approval	Maritime application

[Environmental Con-  
firmations](#)



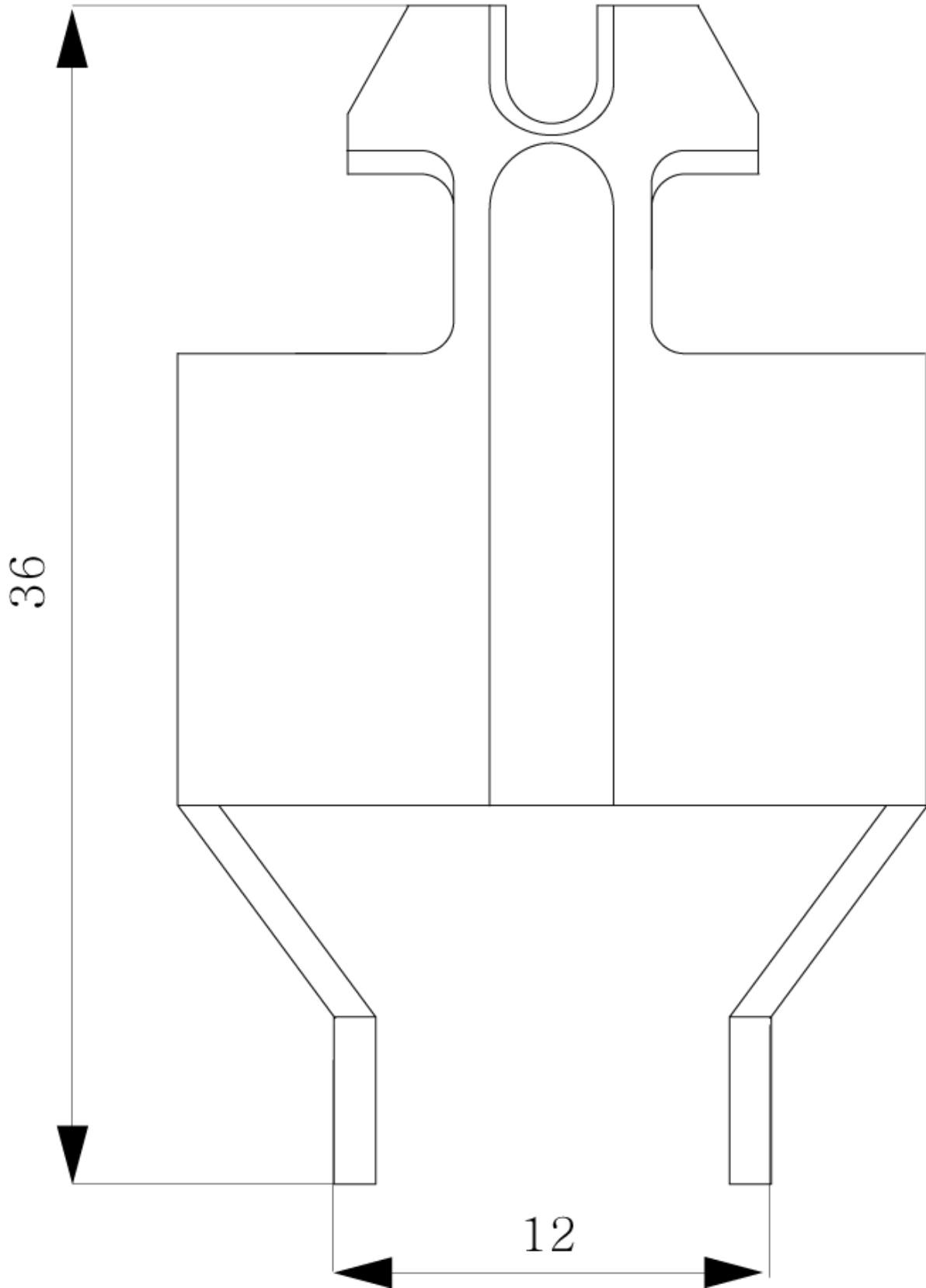
Maritime application	other
----------------------	-------



[Confirmation](#)

### Further information

- Information on the packaging  
<https://support.industry.siemens.com/cs/ww/en/view/109813875>
- Information for data generation and storage  
<https://support.industry.siemens.com/cs/ww/en/view/109995012>
- Information- and Downloadcenter (Catalogs, Brochures,...)  
<https://www.siemens.com/lowvoltage/catalogs>
- Industry Mall (Online ordering system)  
<https://mall.industry.siemens.com/mall/en/en/Catalog/product?mlfb=5TG2498>
- Service&Support (Manuals, Certificates, Characteristics, FAQs,...)  
<https://support.industry.siemens.com/cs/ww/en/ps/5TG2498>
- Image database (product images, 2D dimension drawings, 3D models, device circuit diagrams, ...)  
[https://www.automation.siemens.com/bilddb/cax\\_en.aspx?mlfb=5TG2498](https://www.automation.siemens.com/bilddb/cax_en.aspx?mlfb=5TG2498)
- CAX-Online-Generator  
<https://www.siemens.com/cax>
- Tender specifications  
<https://www.siemens.com/specifications>
- Characteristic curves



last modified:

4/4/2025 

