

handle with masking plate standard illuminated size 100x 100, for shaft 8x 8, test-0-I, handle size 100mm accessory for 3KD size 3 3KF size 2 and 3



Model		
product brand name	SETRON	
product designation	handle with masking plate	
design of the product	standard with tolerance compensation	
design of handle	Gray	
design of the door lock system	Door interlocking	
size of cross-section of the shaft of door-coupling rotary operating mechanism	8x8 mm	
size format of the masking frame of door-coupling rotary operating mechanism	100x 100 mm	
length of handle	100 mm	
protection class IP	IP65	
suitability for use	for 3KD size 3, 3KF size 2 and 3	
Product details		
product description	with illumination	
product feature interlock	Yes	
product component		
• extension shaft	No	
• handle for emergency-OFF function	No	
product feature lockable	Yes	
Accessories		
accessories	Handle with masking frame	
display version for switch position indicator	test-0-I	
Mechanical Design		
height	198 mm	
width	195 mm	
depth	105 mm	
Net Weight	645 g	
Approvals Certificates		
Environment	General Product Approval	Maritime application

[Environmental Conformations](#)



### Further information

Information on the packaging  
<https://support.industry.siemens.com/cs/ww/en/view/109813875>  
 Information for data generation and storage

<https://support.industry.siemens.com/cs/ww/en/view/109995012>

Information- and Downloadcenter (Catalogs, Brochures,...)

<https://www.siemens.com/lowvoltage/catalogs>

Industry Mall (Online ordering system)

<https://mall.industry.siemens.com/mall/en/en/Catalog/product?mlfb=8UD1841-2CF01>

Service&Support (Manuals, Certificates, Characteristics, FAQs,...)

<https://support.industry.siemens.com/cs/ww/en/ps/8UD1841-2CF01>

Image database (product images, 2D dimension drawings, 3D models, device circuit diagrams, ...)

[https://www.automation.siemens.com/bilddb/cax\\_en.aspx?mlfb=8UD1841-2CF01](https://www.automation.siemens.com/bilddb/cax_en.aspx?mlfb=8UD1841-2CF01)

CAx-Online-Generator

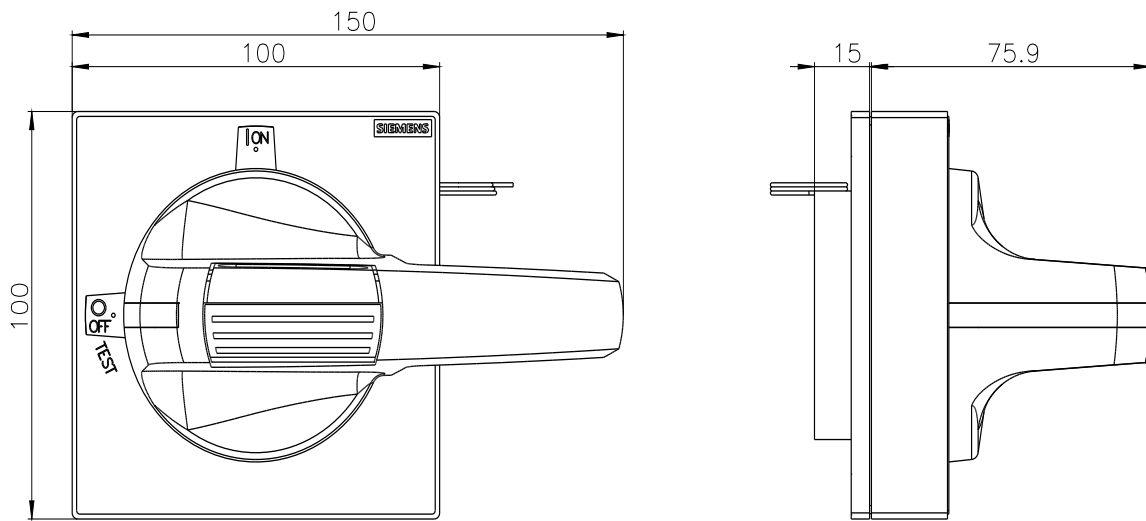
<https://www.siemens.com/cax>

Tender specifications

<https://www.siemens.com/specifications>

Characteristic curves

[https://curves.simaris.siemens.com/curves/<mmp\\_prod\\_noCOMP="HAUPT"></mmp\\_prod\\_no>](https://curves.simaris.siemens.com/curves/<mmp_prod_noCOMP=)



last modified:

4/4/2025 

