



Mounting kit, for creation 1-pole 3NP1 for mounting on 60 mm busbar system 8US for Size NH00 with box terminal, accessory for fuse switch disconnecter 3NP1

Model		
product brand name	SETRON	
product designation	mounting set	
design of the product	accessories for 3NP1 fuse switch disconnectors	
suitability for use	for 3NP1, 1-pole, NH00, box terminal, for floor mounting	
Accessories		
accessories	assembly kit	
Mechanical Design		
Net Weight	328 g	
Approvals Certificates		
Environment	General Product Approval	Maritime application

[Environmental Con-
firmations](#)



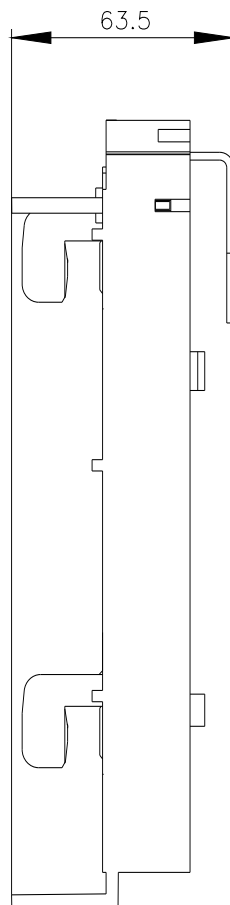
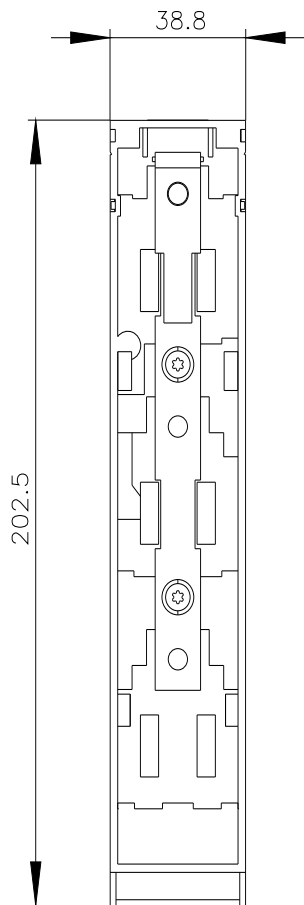
[Environmental Con-
firmations](#)

[Miscellaneous](#)



Further information

- Information on the packaging
<https://support.industry.siemens.com/cs/ww/en/view/109813875>
- Information for data generation and storage
<https://support.industry.siemens.com/cs/ww/en/view/109995012>
- Information- and Downloadcenter (Catalogs, Brochures,...)
<https://www.siemens.com/lowvoltage/catalogs>
- Industry Mall (Online ordering system)
<https://mall.industry.siemens.com/mall/en/en/Catalog/product?mlfb=3NP1931-1EE10>
- Service&Support (Manuals, Certificates, Characteristics, FAQs,...)
<https://support.industry.siemens.com/cs/ww/en/ps/3NP1931-1EE10>
- Image database (product images, 2D dimension drawings, 3D models, device circuit diagrams, ...)
https://www.automation.siemens.com/bilddb/cax_en.aspx?mlfb=3NP1931-1EE10
- CAX-Online-Generator
<https://www.siemens.com/cax>
- Tender specifications
<https://www.siemens.com/specifications>
- Characteristic curves
[https://curves.simaris.siemens.com/curves/<mmp_prod_noCOMP="HAUPT"></mmp_prod_no>](https://curves.simaris.siemens.com/curves/<mmp_prod_noCOMP=)



last modified:

4/12/2025 