



DELTA line SCHUKO socket outlet 250 V AC, 16A With screwless Connection terminals with increased touch protection Solid plate 80 mm x 80 mm electrical white

Model	
product brand name	DELTA
product designation	SCHUKO socket outlet
design of the product	SCHUKO socket outlet CEE 7/3 (type F)
cover version	solid plate
design of the special power supply unit	without special current supply
design of the socket according to VDE 0620 for severe conditions	No
design of the phase tap	No
General technical data	
marking of socket outlet	without imprint
mounting type	fixing with claw and screw
surface processing	others
material	thermoplastic
Supply voltage	
operating voltage rated value	250 V
supply voltage frequency rated value	50 Hz
Protection class	
protection class IP	IP20
Main circuit	
operational current rated value	16 A
Appearance	
RAL color number (similar)	1 013
color	electric white
Product details	
product component	
• ejection equipment	No
• labeling field	No
• increased touch protection	Yes
• residual current device	No
• miniature fuse	No
• integrated functional lighting	No
• integrated light source	No
• integrated orientation lighting	No
• hinged lid	No
product feature lockable	No
product feature halogen-free	Yes
product feature transparent	No
Product function	

product function	
• socket selectable	No
• overvoltage protection	No
Number	
number of units	1
number of sockets switchable	0
Connections	
arrangement of contacts diagonal	No
type of electrical connection	plug terminal
Mechanical Design	
height	70 mm
width	70 mm
depth	45 mm
fastening method	flush mounting
Net Weight	100 g
material of the enclosure	plastic
Approvals Certificates	
Environmental Product Declaration	
• global warming potential [CO2 eq] / during manufacturing	0.284 kg
• global warming potential [CO2 eq] / during operation	4.48 kg
• global warming potential [CO2 eq] / after end of life	0.0001 kg
• global warming potential [CO2 eq] / total	4.77 kg
Environment	General Product Approval

[Environmental Confirmations](#)



Further information

Information on the packaging

<https://support.industry.siemens.com/cs/ww/en/view/109813875>

Information for data generation and storage

<https://support.industry.siemens.com/cs/ww/en/view/109995012>

Information- and Downloadcenter (Catalogs, Brochures,...)

<https://www.siemens.com/lowvoltage/catalogs>

Industry Mall (Online ordering system)

<https://mall.industry.siemens.com/mall/en/en/Catalog/product?mlfb=5UB1583>

Service&Support (Manuals, Certificates, Characteristics, FAQs,...)

<https://support.industry.siemens.com/cs/ww/en/ps/5UB1583>

Image database (product images, 2D dimension drawings, 3D models, device circuit diagrams, ...)

https://www.automation.siemens.com/bilddb/cax_en.aspx?mlfb=5UB1583

CAX-Online-Generator

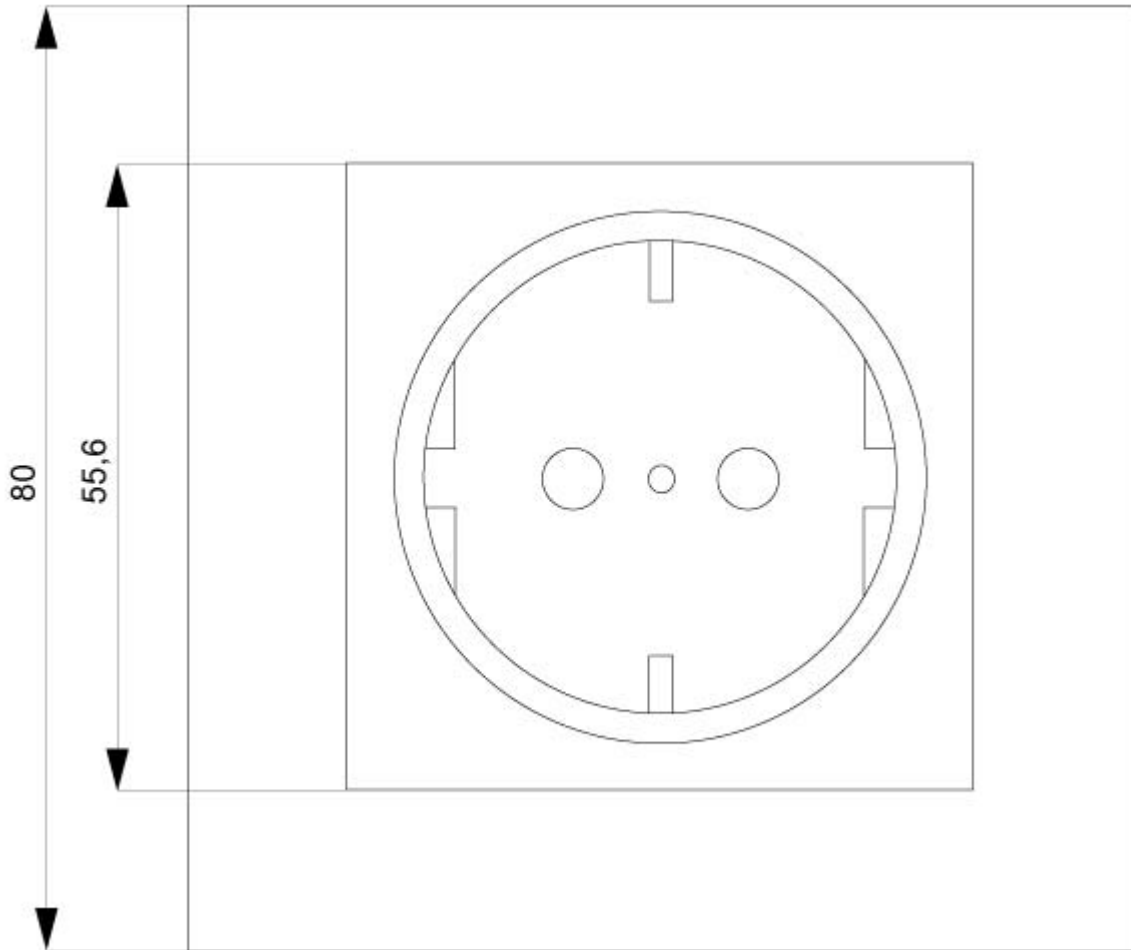
<https://www.siemens.com/cax>

Tender specifications

<https://www.siemens.com/specifications>

Characteristic curves

[https://curves.simaris.siemens.com/curves/<mmp_prod_noCOMP="HAUPT"></mmp_prod_no>](https://curves.simaris.siemens.com/curves/<mmp_prod_noCOMP=)



last modified:

8/19/2025 

