

Fișă tehnică produs

Specificatii



Bobina Motor - 215 A - Pt. Variator De Viteza - Set De 3

VW3A5104

Principale

Tip produs sau componenta	Starter de motor
Compatibilitate gama	Altivar 61Q Altivar 71Q Altivar 212 Altivar 71 Altivar Process ATV600 Altivar Process ATV900 Altivar 61
aplicatie specifica produsului	Filtru de iesire
[In] curent nominal	215 A

Declinare de responsabilitate: Această documentație nu se substituie și nu trebuie utilizată pentru stabilirea adecvării sau fiabilității acestor produse pentru aplicații utilizator.

compatibilitate produs

ATV61HD11N4
ATV61HD15N4
ATV61HD18N4
ATV61HU22S6X
ATV61HU30S6X
ATV61HU40S6X
ATV61HU55N4
ATV61HU55S6X
ATV61HU75N4
ATV61HU75S6X
ATV61WD11N4
ATV61WD11N4C
ATV61WD15N4
ATV61WD15N4C
ATV61WD18N4
ATV61WD18N4C
ATV61WU55N4
ATV61WU55N4C
ATV61WU75N4
ATV61WU75N4C
ATV71HD11N4
ATV71HD11Y
ATV71HD15N4
ATV71HD18N4
ATV71HU15S6X
ATV71HU22S6X
ATV71HU30S6X
ATV71HU40S6X
ATV71HU55N4
ATV71HU55S6X
ATV71HU75N4
ATV71HU75S6X
ATV71PD11N4Z
ATV71PU55N4Z
ATV71PU75N4Z
ATV71WD11N4
ATV71WD15N4
ATV71WD18N4
ATV71WU55N4
ATV71WU75N4
ATV212HU15N4
ATV61HD15Y
ATV61HD18Y
ATV61HD22N4
ATV61HD22Y
ATV61HD30N4
ATV61HD30Y
ATV61HD37N4
ATV61WD22N4
ATV61WD22N4C
ATV61WD30N4
ATV61WD30N4C
ATV61WD37N4
ATV61WD37N4C
ATV71HD15Y
ATV71HD18Y
ATV71HD22N4
ATV71HD22Y
ATV71HD30Y
ATV71HD37N4
ATV71WD30N4
ATV71WD37N4
ATV630 variable speed drive - 2,2 kW, 500...690 V trifazic
ATV630 variable speed drive - 3 kW, 500...690 V trifazic
ATV630 variable speed drive - 4 kW, 500...690 V trifazic
ATV630 variable speed drive - 5,5 kW, 500...690 V trifazic
ATV630 variable speed drive - 7,5 kW, 500...690 V trifazic
ATV630 variable speed drive - 11 kW, 500...690 V trifazic
ATV930 variable speed drive - 2,2 kW, 500...690 V trifazic
ATV930 variable speed drive - 3 kW, 500...690 V trifazic
ATV930 variable speed drive - 4 kW, 500...690 V trifazic
ATV930 variable speed drive - 5,5 kW, 500...690 V trifazic
ATV930 variable speed drive - 7,5 kW, 500...690 V trifazic
ATV930 variable speed drive - 11 kW, 500...690 V trifazic
ATV630 variable speed drive, 3 CP, 600 V trifazic
ATV630 variable speed drive, 5 CP, 600 V trifazic
ATV630 variable speed drive, 7,5 CP, 600 V trifazic
ATV630 variable speed drive, 10 CP, 600 V trifazic
ATV630 variable speed drive, 15 CP, 600 V trifazic
ATV930 variable speed drive, 3 CP, 600 V trifazic

ATV930 variable speed drive, 5 CP, 600 V trifazic
ATV930 variable speed drive, 7,5 CP, 600 V trifazic
ATV930 variable speed drive, 10 CP, 600 V trifazic
ATV930 variable speed drive, 15 CP, 600 V trifazic
ATV212HD15M3X
ATV212WD15N4
ATV212WD15N4C
ATV61HC11Y
ATV61HC13Y
ATV61HC16Y
ATV61HD30M3X
ATV61HD37M3X
ATV61HD37Y
ATV61HD45M3X
ATV61HD45N4
ATV61HD45Y
ATV61HD55N4
ATV61HD55Y
ATV61HD75N4
ATV61HD75Y
ATV61HD90N4
ATV61HD90Y
ATV61QC11N4
ATV61QC13Y
ATV61WD45N4
ATV61WD45N4C
ATV61WD55N4
ATV61WD55N4C
ATV61WD75N4
ATV61WD75N4C
ATV61WD90N4
ATV61WD90N4C
ATV71HC11Y
ATV71HC13Y
ATV71HD30M3X
ATV71HD37M3X
ATV71HD37Y
ATV71HD45M3X
ATV71HD45N4
ATV71HD45Y
ATV71HD55N4
ATV71HD55Y
ATV71HD75N4
ATV71HD75Y
ATV71HD90N4
ATV71HD90Y
ATV71QC11Y
ATV71QD90N4
ATV71WD45N4
ATV71WD55N4
ATV71WD75N4
ATV630 variable speed drive - 15 kW, 500...690 V trifazic
ATV630 variable speed drive - 18,5 kW, 500...690 V trifazic
ATV630 variable speed drive - 22 kW, 500...690 V trifazic
ATV630 variable speed drive - 30 kW, 500...690 V trifazic
ATV630 variable speed drive - 37 kW, 500...690 V trifazic
ATV630 variable speed drive - 45 kW, 500...690 V trifazic
ATV630 variable speed drive - 55 kW, 500...690 V trifazic
ATV630 variable speed drive - 75 kW, 500...690 V trifazic
ATV630 variable speed drive - 90 kW, 500...690 V trifazic
ATV930 variable speed drive - 15 kW, 500...690 V trifazic
ATV930 variable speed drive - 18,5 kW, 500...690 V trifazic
ATV930 variable speed drive - 22 kW, 500...690 V trifazic
ATV930 variable speed drive - 30 kW, 500...690 V trifazic
ATV930 variable speed drive - 37 kW, 500...690 V trifazic
ATV930 variable speed drive - 45 kW, 500...690 V trifazic
ATV930 variable speed drive - 55 kW, 500...690 V trifazic
ATV930 variable speed drive - 75 kW, 500...690 V trifazic
ATV930 variable speed drive - 90 kW, 500...690 V trifazic
ATV630 variable speed drive, 20 CP, 600 V trifazic
ATV630 variable speed drive, 25 CP, 600 V trifazic
ATV630 variable speed drive, 30 CP, 600 V trifazic
ATV630 variable speed drive, 40 CP, 600 V trifazic
ATV630 variable speed drive, 50 CP, 600 V trifazic
ATV630 variable speed drive, 60 CP, 600 V trifazic
ATV630 variable speed drive, 75 CP, 600 V trifazic
ATV630 variable speed drive, 100 CP, 600 V trifazic
ATV930 variable speed drive, 20 CP, 600 V trifazic
ATV930 variable speed drive, 25 CP, 600 V trifazic
ATV930 variable speed drive, 30 CP, 600 V trifazic

ATV930 variable speed drive, 40 CP, 600 V trifazic
ATV930 variable speed drive, 50 CP, 600 V trifazic
ATV930 variable speed drive, 60 CP, 600 V trifazic
ATV930 variable speed drive, 75 CP, 600 V trifazic
ATV930 variable speed drive, 100 CP, 600 V trifazic

cantitate Incorporata	3
conexiune electrica	Etichetă conector M10

Suplimentare

lungimea maxima a cablului motorului	150 m cablu ecranat P motor 30...45 kW la 200...240 V 1
	300 m cablu neecranat P motor 30...45 kW la 200...240 V 1
	200 m cablu ecranat P motor 5,5...18,5 kW la 380...480 V 1
	300 m cablu neecranat P motor 5,5...18,5 kW la 380...480 V 1
	150 m cablu ecranat P motor 22...30 kW la 380...480 V 1
	300 m cablu neecranat P motor 22...30 kW la 380...480 V 1
	150 m cablu ecranat P motor 45...75 kW la 380...480 V 1
	300 m cablu neecranat P motor 45...75 kW la 380...480 V 1
	150 m cablu ecranat P motor 2,2...7,5 kW la 500...600 V 1
	250 m cablu neecranat P motor 2,2...7,5 kW la 500...600 V 1
	250 m cablu ecranat P motor 2,2...7,5 kW la 500...600 V 2
	400 m cablu neecranat P motor 2,2...7,5 kW la 500...600 V 2
	100 m cablu ecranat P motor 2,2...30 kW la 500...690 V 2
	150 m cablu neecranat P motor 2,2...30 kW la 500...690 V 2
	150 m cablu ecranat P motor 11...30 kW la 500...690 V 2
	250 m cablu neecranat P motor 11...30 kW la 500...690 V 2
	150 m cablu ecranat P motor 30...160 kW la 500...690 V 1
	250 m cablu neecranat P motor 30...160 kW la 500...690 V 1
	250 m cablu ecranat P motor 30...160 kW la 500...690 V 2
	300 m cablu neecranat P motor 30...90 kW la 500...690 V 2
400 m cablu neecranat P motor 90...160 kW la 500...690 V 2	
200 m cablu ecranat P motor 37 kW la 380...480 V 1	
300 m cablu neecranat P motor 37 kW la 380...480 V 1	
200 m cablu ecranat P motor 90 kW la 380...480 V 1	
300 m cablu neecranat P motor 90 kW la 380...480 V 1	

dv/dt	500 V/μs maxim la 400 V
	750 V/μs maxim la 500 V
	1000 V/μs maxim la 690 V

pierderi termice	430 W
------------------	-------

maximum drive output frequency	100 Hz
--------------------------------	--------

temperatura ambientala de utilizare	-10...50 °C
-------------------------------------	-------------

greutate produs	15,5 kg
-----------------	---------

Mediu

grad de protectie IP	IP20 (cu kituri VW3A9612,613) IP00
----------------------	---------------------------------------

temperatura ambietala pentru depozitare	-25...70 °C
---	-------------

Unitati de ambalare

Unitate de masura pentru prima forma de impachetare	PCE
---	-----

Număr de produse în pachet	1
----------------------------	---

Inaltime prima forma de impachetare	40,000 cm
-------------------------------------	-----------

Latime prima forma de impachetare	60,000 cm
-----------------------------------	-----------

Lungime prima forma de impachetare	40,000 cm
------------------------------------	-----------

Greutate colet(Lbs)	18,000 kg
---------------------	-----------

Unitate de masura pentru a doua forma de impachetare	P06
--	-----

Numar unitati in a doua forma de impachetare	2
--	---

Inaltime a doua forma de impachetare	75,000 cm
--------------------------------------	-----------

Latime a doua forma de impachetare	60,000 cm
------------------------------------	-----------

Lungime a doua forma de impachetare	80,000 cm
-------------------------------------	-----------

Greutate a doua forma de impachetare	44,500 kg
--------------------------------------	-----------

Garanție contractuală

Garantie (in luni)	18
--------------------	----

Environmental Data

Schneider Electric isi propune sa atinga nivelul Net Zero pana in 2050 prin parteneriate la nivelul lantului de aprovizionare, materiale cu impact mai redus si circularitate, prin campania „Use Better, Use Longer, Use Again” pentru a extinde durata de viata a produselor si reciclabilitatea.

[Environmental Data explicate >](#)

[Cum evaluam sustenabilitatea produselor >](#)

Use Better

Materiale si ambalare

Pachet cu carton reciclabil

Nu

Ambalaj fara plastic

Nu

Directiva RoHS a UE

[Conform](#)

Use Longer

Prelungire durata de viata

Reparare

Nu

Use Again

Reambalare si refabricare

Preluare la sfarsitul duratei de viata

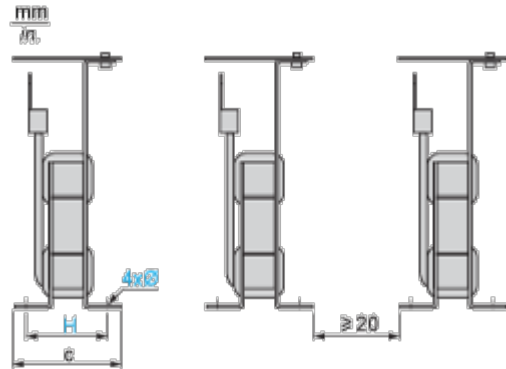
Da

Dimensions Drawings

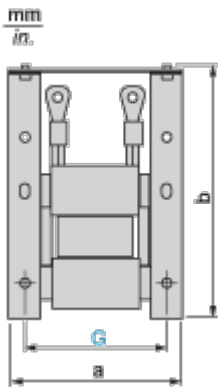
Dimensions

Front View

The choke comprise 3 components



Right View



Dimensions in mm

a	b	c	G	H	Ø
170	250	100	150	75	9 x 13

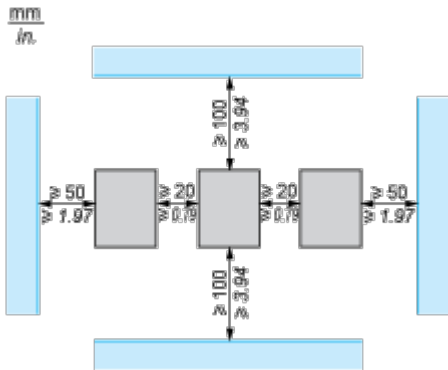
Dimensions in in.

a	b	c	G	H	Ø
6.69	9.84	3.94	5.91	2.95	0.35 x 0.51

Mounting and Clearance

Mounting Recommendations

Horizontal Mounting



Vertical Mounting

