



DELTA device insert Antenna spur line socket also for broadband

Model		
product brand name	DELTA	
product designation	Aerial branch-circuit boxes	
design of the product	Aerial branch-circuit boxes	
type of antenna outlet	antenna outlet	
General technical data		
coupling attenuation at 2150 MHz	4 dB	
coupling attenuation at 860 MHz	4 dB	
protection class IP	IP00	
Main circuit		
operating frequency rated value		
• minimum	2 400 MHz	
• maximum	2 400 MHz	
Suitability		
suitability for interaction cable modem	No	
Product details		
product component cover	No	
Product function		
product function remote supply	No	
Number		
number of electrical connections	2	
Mechanical Design		
height	70 mm	
width	70 mm	
Net Weight	109 g	
Approvals Certificates		
Environment	General Product Approval	other

[Environmental Confirmations](#)

[Confirmation](#)



[Confirmation](#)

### Further information

Information on the packaging

<https://support.industry.siemens.com/cs/ww/en/view/109813875>

Information for data generation and storage

<https://support.industry.siemens.com/cs/ww/en/view/109995012>

Information- and Downloadcenter (Catalogs, Brochures,...)

<https://www.siemens.com/lowvoltage/catalogs>

Industry Mall (Online ordering system)

<https://mall.industry.siemens.com/mall/en/en/Catalog/product?mlfb=5TG2485>

Service&Support (Manuals, Certificates, Characteristics, FAQs,...)

<https://support.industry.siemens.com/cs/ww/en/ps/5TG2485>

Image database (product images, 2D dimension drawings, 3D models, device circuit diagrams, ...)

[https://www.automation.siemens.com/bilddb/cax\\_en.aspx?mlfb=5TG2485](https://www.automation.siemens.com/bilddb/cax_en.aspx?mlfb=5TG2485)

CAX-Online-Generator

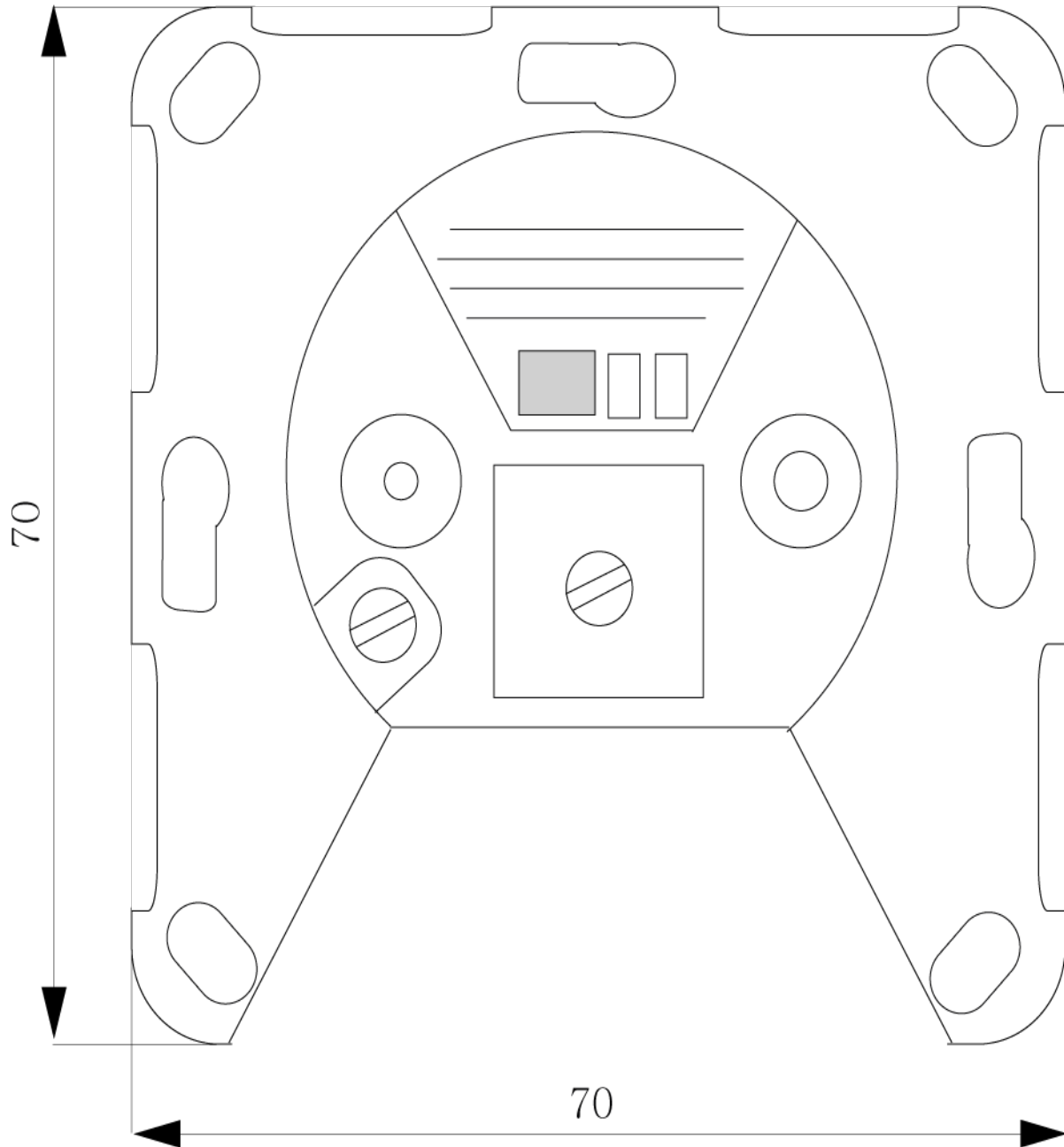
<https://www.siemens.com/cax>

Tender specifications

<https://www.siemens.com/specifications>

Characteristic curves

[https://curves.simaris.siemens.com/curves/<mmp\\_prod\\_noCOMP='HAUPT'></mmp\\_prod\\_no>](https://curves.simaris.siemens.com/curves/<mmp_prod_noCOMP='HAUPT'></mmp_prod_no>)



last modified:

9/6/2025

