



Saddle terminal 1.5 - 70 mm², for size NH00 with screw terminal, accessory for fuse switch disconnecter 3NP1 Contains 3 terminals

Model		
product brand name	SENTRON	
product designation	Saddle terminal 1.5 - 70 mm ²	
design of the product	accessories for 3NP1 fuse switch disconnectors	
suitability for use	for 3NP1, 3-pole, NH00, with flat connector	
Accessories		
accessories	for size NH00 with screw terminals	
Mechanical Design		
Net Weight	47 g	
Approvals Certificates		
Environment	General Product Approval	Maritime application

[Environmental Con-
firmations](#)

[Environmental Con-
firmations](#)

[Miscellaneous](#)



Further information

Information on the packaging

<https://support.industry.siemens.com/cs/ww/en/view/109813875>

Information for data generation and storage

<https://support.industry.siemens.com/cs/ww/en/view/109995012>

Information- and Downloadcenter (Catalogs, Brochures,...)

<https://www.siemens.com/lowvoltage/catalogs>

Industry Mall (Online ordering system)

<https://mall.industry.siemens.com/mall/en/en/Catalog/product?mlfb=3NP1933-1BA00>

Service&Support (Manuals, Certificates, Characteristics, FAQs,...)

<https://support.industry.siemens.com/cs/ww/en/ps/3NP1933-1BA00>

Image database (product images, 2D dimension drawings, 3D models, device circuit diagrams, ...)

https://www.automation.siemens.com/bilddb/cax_en.aspx?mlfb=3NP1933-1BA00

CAX-Online-Generator

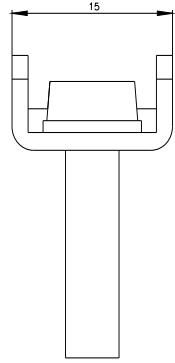
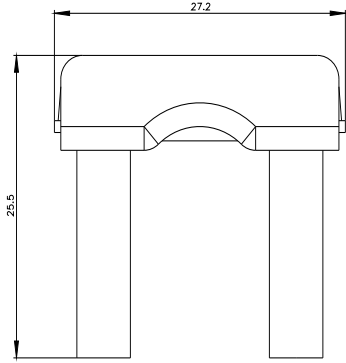
<https://www.siemens.com/cax>

Tender specifications

<https://www.siemens.com/specifications>

Characteristic curves

[https://curves.simaris.siemens.com/curves/<mmp_prod_noCOMP="HAUPT"></mmp_prod_no>](https://curves.simaris.siemens.com/curves/<mmp_prod_noCOMP=)



last modified:

4/12/2025 

