



Adjustable-length Twist lever for position switch 3SE51/52 Stainless steel lever 100 mm long with stainless steel terminal Stainless steel roller 19 mm

product brand name	SIRIUS		
product designation	actuator for part-turn actuator		
product type designation	3SE5		
manufacturer's article number			
• of the supplied operating lever	3SE5000-0AA53		
suitability for use safety switch	No		
General technical data			
product function positive opening	No		
shock resistance			
• according to IEC 60068-2-27	30 g / 11 ms		
vibration resistance			
• according to IEC 60068-2-6	0.35 mm/5 g		
mechanical service life (operating cycles) typical	15 000 000		
reference code according to IEC 81346-2	T		
active principle	mechanical		
Substance Prohibition (Date)	07/01/2006		
Net Weight	0.04 kg		
Ambient conditions			
ambient temperature			
• during operation	-25 ... +85 °C		
• during storage	-40 ... +90 °C		
explosion protection category for dust	none		
Enclosure			
coating of the enclosure	Other types		
Drive Head			
design of the actuating element	Adjustable twist lever, adjustable-length high-grade steel lever, high-grade steel roller 19 mm		
shape of the switch head	roller		
outer diameter of the switch head	19 mm		
Installation/ mounting/ dimensions			
mounting position	any		
fastening method	screw fixing		
design of the interface for safety-related communication	without		
Communication/ Protocol			
design of the interface	without		
Approvals Certificates			
General Product Approval	Test Certificates	other	Environment

Further information

Information on the packaging

<https://support.industry.siemens.com/cs/ww/en/view/109813875>

Information for data generation and storage

<https://support.industry.siemens.com/cs/ww/en/view/109995012>

Information- and Downloadcenter (Catalogs, Brochures,...)

<https://www.siemens.com/ic10>

Industry Mall (Online ordering system)

<https://mall.industry.siemens.com/mall/en/en/Catalog/product?mlfb=3SE5000-0AA53>

Cax online generator

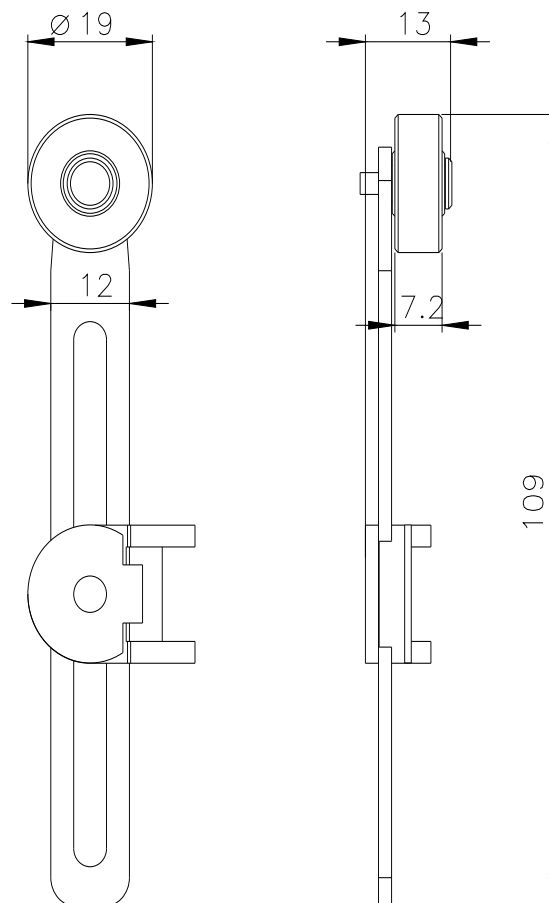
<https://support.automation.siemens.com/WW/CAXorder/default.aspx?lang=en&mlfb=3SE5000-0AA53>

Service&Support (Manuals, Certificates, Characteristics, FAQs,...)

<https://support.industry.siemens.com/cs/ww/en/ps/3SE5000-0AA53>

Image database (product images, 2D dimension drawings, 3D models, device circuit diagrams, EPLAN macros, ...)

https://www.automation.siemens.com/bilddb/cax_de.aspx?mlfb=3SE5000-0AA53&lang=en



last modified:

4/4/2026