

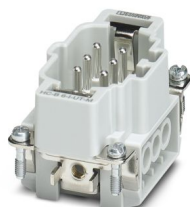
# HC-B 6-I-UT-M - Contact insert



1648115

<https://www.phoenixcontact.com/ro/produse/1648115>

Vă rugăm să țineți cont de faptul că datele afișate în acest document PDF au fost generate din catalogul nostru online. Datele complete sunt disponibile în documentația pentru utilizator. În cazul descărcărilor, se aplică Termenii și condițiile generale de utilizare ale companiei noastre.



Contact insert, number of positions: 6+PE, size: B6, number of connections per position: 1, Pin, Screw connection, 500 V, 16 A, 0.5 mm<sup>2</sup> ... 2.5 mm<sup>2</sup>, application: Power

## Avantajele dumneavoastră

- For fast coding with plastic profile
- For test pin 2 mm
- Shock and vibration-resistant in accordance with DIN EN 61373

## Date comerciale

Număr articol	1648115
Unitate de ambalare	1 Bucată
Cantitate minimă pentru comandă	1 Bucată
Cod produs	BF7ABC
Pagina de catalog	Pagina 541 (C-2-2019)
GTIN	4046356092234
Greutate pe bucată (inclusiv ambalajul)	48,2 g
Greutate pe bucată (fără ambalaj)	47,8 g
Cod tarifar vamal	85366990
Țara de origine	CN

# HC-B 6-I-UT-M - Contact insert



1648115

<https://www.phoenixcontact.com/ro/produse/1648115>

## Date tehnice

### Notes

General	for flexible conductors with or without ferrules
General	Connectors may be operated only when there is no load/voltage.

### Mounting

Assembly note	To ensure correct use, installation in housing with IP54 protection or better is required
---------------	---

### Product properties

Product type	Contact insert with a fixed no. of positions
Series	HC-B
Application	Power
Type	B6
Number of positions	6
Connection profile	6+PE
Contact numbering	1 - 6
Number of connections per position	1
Contact material type	turned
Screwdriver blade	0.5 x 3.5 mm

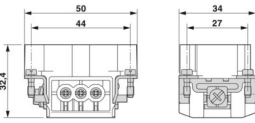
### Data management status

Article revision	18
------------------	----

### Insulation characteristics

Overvoltage category	III
Degree of pollution	3

### Dimensions

Dimensional drawing	
Width	34 mm
Height	32 mm
Length	50.5 mm
Drill hole distance, horizontal	44 mm
Drill hole distance, vertical	27 mm

### Mechanical characteristics

Contact diameter	2.5 mm
------------------	--------

### Connection data

# HC-B 6-I-UT-M - Contact insert



1648115

<https://www.phoenixcontact.com/ro/produse/1648115>

## Connection technology

Connection technology	Screw connection
Number of connections per position	1
Connection in acc. with standard	IEC / EN

## Conductor connection

Conductor cross section	0.5 mm <sup>2</sup> ... 2.5 mm <sup>2</sup>
Connection cross section AWG	20 ... 14
Tightening torque	0.8 Nm ... 1.2 Nm (PE connection)
	0.5 Nm ... 0.8 Nm (Mounting screws for mounting in the HEAVYCON housing)
	0.5 Nm ... 0.8 Nm
Stripping length of the individual wire	8 mm

## Electrical properties

Rated voltage (III/3)	500 V
Rated surge voltage	6 kV
Rated current	16 A
SCCR	5 kA (UL 2237)

## Mechanical properties

### Mechanical data

Insertion/withdrawal cycles	≥ 500
-----------------------------	-------

## Material specifications

Flammability rating according to UL 94	V0
Contact material	Copper alloy
Contact surface material	Ag
Contact carrier material	PC
Standards/regulations	PC: Fire protection in rail vehicles - requirement sets R22, R23, and R24 acc. to DIN EN 45545-2 (Risk level HL1 - HL3)

## Environmental and real-life conditions

### Ambient conditions

Ambient temperature (operation)	-40 °C ... 125 °C (including heating up of contacts)
---------------------------------	--

## Standards and regulations

Constructional and testing regulations	DIN EN 61984
	DIN EN 60664
	IEC 60352
Tests	DIN EN 61984
	DIN EN 60664
	IEC 60352

## Testing

# HC-B 6-I-UT-M - Contact insert



1648115

<https://www.phoenixcontact.com/ro/produse/1648115>

Standards/regulations

PC: Fire protection in rail vehicles - requirement sets R22, R23, and R24 acc. to DIN EN 45545-2 (Risk level HL1 - HL3)

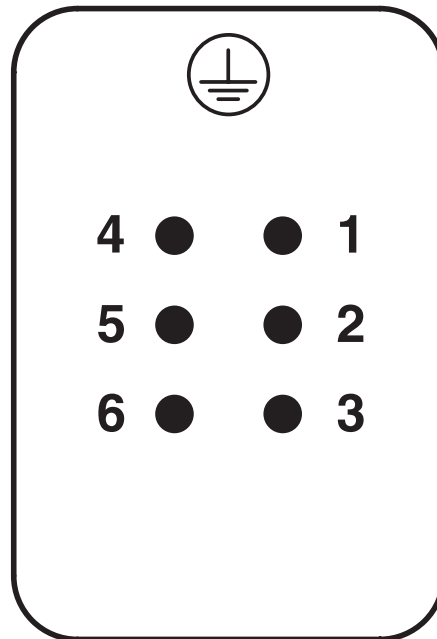
# HC-B 6-I-UT-M - Contact insert

1648115

<https://www.phoenixcontact.com/ro/produse/1648115>

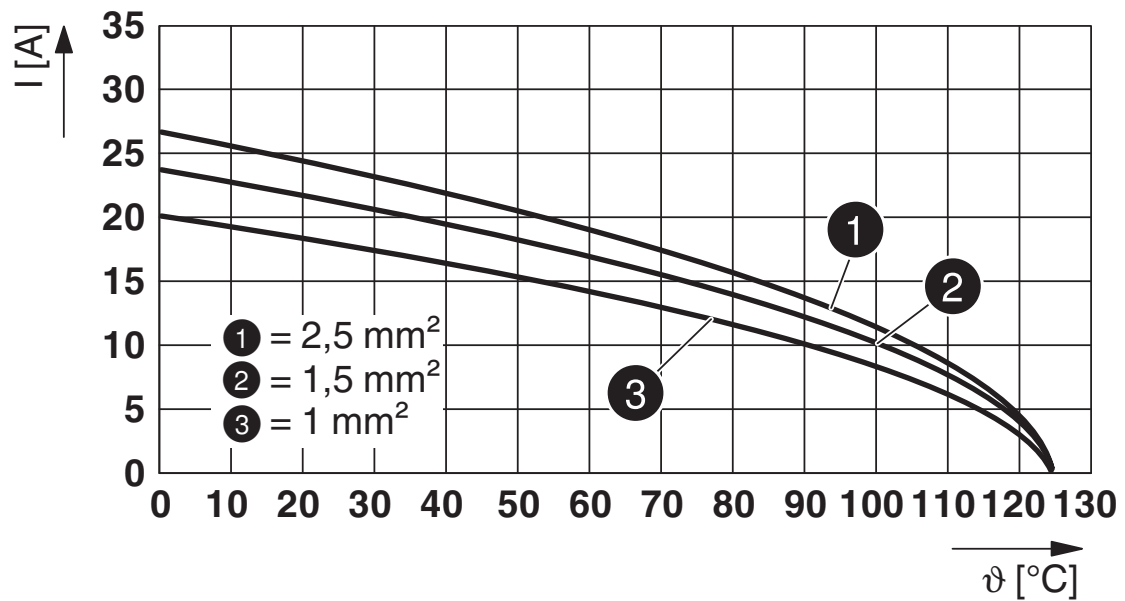
## Desene

Schematic diagram



Connector pin assignment, connection side

Diagram

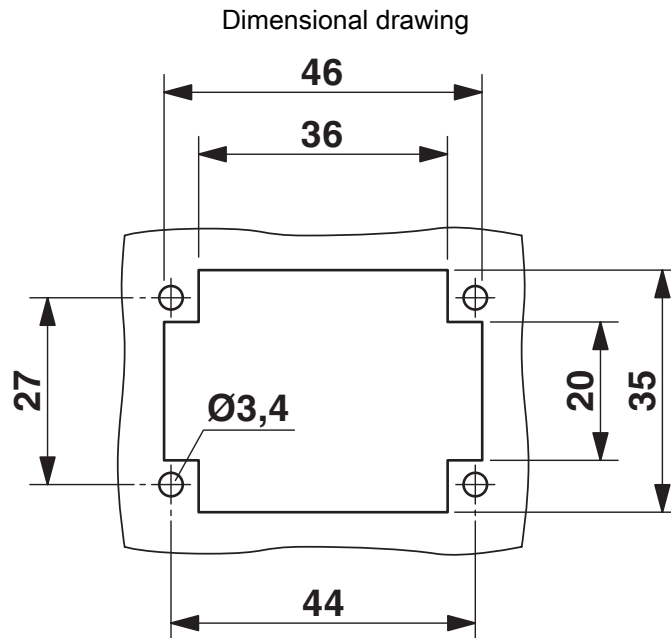


Derating diagram

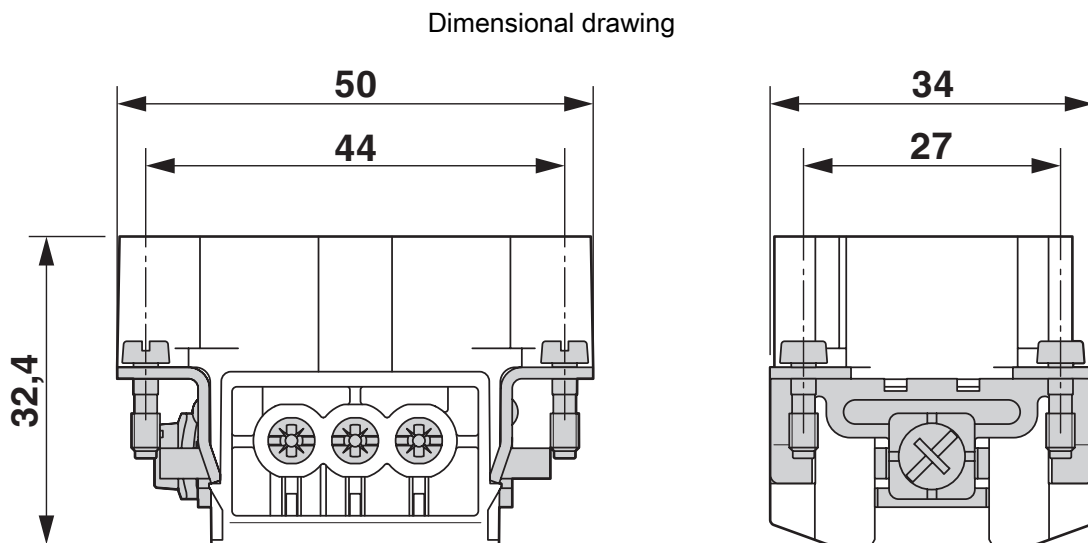
# HC-B 6-I-UT-M - Contact insert

1648115

<https://www.phoenixcontact.com/ro/produse/1648115>



Mounting cutout when used without housing



Male insert

# HC-B 6-I-UT-M - Contact insert



1648115

<https://www.phoenixcontact.com/ro/produse/1648115>

## Aprobări

To download certificates, visit the product detail page: <https://www.phoenixcontact.com/ro/produse/1648115>

### DNV

ID de înregistrare: TAE000037S



### CSA

ID de înregistrare: 013631\_6233\_01

Tensiune nominală $U_N$	Curent nominal $I_N$	Secțiune transversală AWG	Secțiune transversală $mm^2$
600 V	13 A	22 - 14	-



### UL Recognized

ID de înregistrare: FILE E 118976

Tensiune nominală $U_N$	Curent nominal $I_N$	Secțiune transversală AWG	Secțiune transversală $mm^2$
600 V	16 A	- 14	-



### EAC

ID de înregistrare: RU C-DE.BL08.B.00511



### cULus Recognized

ID de înregistrare: E468743

Tensiune nominală $U_N$	Curent nominal $I_N$	Secțiune transversală AWG	Secțiune transversală $mm^2$
600 V	14 A	- 14	-

# HC-B 6-I-UT-M - Contact insert



1648115

<https://www.phoenixcontact.com/ro/produse/1648115>

## Clasificări

### ECLASS

ECLASS-11.0	27440205
ECLASS-12.0	27440205
ECLASS-13.0	27440205

### ETIM

ETIM 9.0	EC000438
----------	----------

### UNSPSC

UNSPSC 21.0	39121500
-------------	----------

## Environmental product compliance

### EU RoHS

Îndeplinește cerințele conform directivei RoHS	Da
reglementări excepționale, dacă sunt cunoscute	6(c)

### China RoHS

Environment friendly use period (EFUP)	EFUP-50
	Un tabel de declarații China RoHS legat de articol poate fi găsit în zona de descărcare a articolului respectiv la „Declarația producătorului”. Nu se emite și nu este necesar niciun tabel de declarații China RoHS pentru toate articolele EFUP-E.

### EU REACH SVHC

Trimitere la substanța candidată REACH (nr. CAS)	Lead(nr. CAS: 7439-92-1)
SCIP	1b4a0565-0541-4b17-aad1-a9b20716217c

# HC-B 6-I-UT-M - Contact insert

1648115

<https://www.phoenixcontact.com/ro/produce/1648115>



## Accesorii

### CP-HC - Coding profile

1686478

<https://www.phoenixcontact.com/ro/produce/1686478>



Coding profile, 4 coding profiles per strip, for insertion in coding keyways

---

### HC-CB - Coding bolt

1772722

<https://www.phoenixcontact.com/ro/produce/1772722>



Coding pin, prevents mismatching of up to six connectors with an identical number of positions

# HC-B 6-I-UT-M - Contact insert

1648115

<https://www.phoenixcontact.com/ro/produce/1648115>



## HC-CST - Coding element

1676857

<https://www.phoenixcontact.com/ro/produce/1676857>



Coding peg for coding up to 16 connectors

---

## HC-CBU - Coding element

1676860

<https://www.phoenixcontact.com/ro/produce/1676860>



Coding socket for coding up to 16 connectors

# HC-B 6-I-UT-M - Contact insert

1648115

<https://www.phoenixcontact.com/ro/produce/1648115>



## HC-B-PE-PT - Adapter

1054672

<https://www.phoenixcontact.com/ro/produce/1054672>



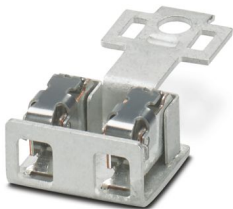
PE adapter with PT connection, for 1 PE connection, for HC-B / HC-BB / HC-DD / HC-D40 / HC-D64 contact inserts

---

## HC-B-2PE-PT - PE multiplier

1054675

<https://www.phoenixcontact.com/ro/produce/1054675>



PE adapter with PT connection, for 2 PE connections, for HC-B / HC-BB / HC-DD / HC-D40 / HC-D64 contact inserts

# HC-B 6-I-UT-M - Contact insert

1648115

<https://www.phoenixcontact.com/ro/produce/1648115>



## HC-B-3PE - PE multiplier

1644326

<https://www.phoenixcontact.com/ro/produce/1644326>



PE multiplier, for 3 PE connections, for HC-B / HC-BB / HC-DD / HC-D40 / HC-D64 contact inserts

---

## HC-B-PES - Screw

1604997

<https://www.phoenixcontact.com/ro/produce/1604997>



PE screw, for contact inserts HC-B / HC-BB / HC-DD / HC-D40 / HC-D64

# HC-B 6-I-UT-M - Contact insert

1648115

<https://www.phoenixcontact.com/ro/produse/1648115>



## HC-B-ZG - Strain relief clamp

1685327

<https://www.phoenixcontact.com/ro/produse/1685327>



Strain relief clamps contact inserts of series: B-, BB-, D 40, D 64, DD and HV, straight cable exit

---

## HC-B-ZS - Strain relief clamp

1685330

<https://www.phoenixcontact.com/ro/produse/1685330>



Strain relief clamps contact inserts of series: B-, BB-, D 40, D 64, DD and HV, lateral cable exit

# HC-B 6-I-UT-M - Contact insert

1648115

<https://www.phoenixcontact.com/ro/produce/1648115>



## HC-CIF-B06-HFWL-PL - DIN rail mounting frame

1424334

<https://www.phoenixcontact.com/ro/produce/1424334>



DIN rail mounting frame, design: B6, for contact inserts, Top frame

---

## HC-B 6-ANDOCK - Docking frame

1586112

<https://www.phoenixcontact.com/ro/produce/1586112>



Docking frames for racks, for type B6 contact inserts, with 4 M5 flat headed screws, slide-in offset for x/y axis of  $\pm 1.5$  mm

# HC-B 6-I-UT-M - Contact insert

1648115

<https://www.phoenixcontact.com/ro/produse/1648115>



## HC-CIF-B06-24-BFAFL-PL - DIN rail mounting frame

1424338

<https://www.phoenixcontact.com/ro/produse/1424338>

DIN rail mounting frame, design: B6 - B24, for contact inserts, Base frame



---

## HC-B24/6-ADP-SS - Adapter plate

1034215

<https://www.phoenixcontact.com/ro/produse/1034215>

Adapter plate, design: B24 to B6



# HC-B 6-I-UT-M - Contact insert

1648115

<https://www.phoenixcontact.com/ro/produse/1648115>



## HC-B 6-I-UT-F - Contact insert

1648128

<https://www.phoenixcontact.com/ro/produse/1648128>



Contact insert, number of positions: 6+PE, size: B6, number of connections per position: 1, Socket, Screw connection, 500 V, 16 A, 0.5 mm<sup>2</sup> ... 2.5 mm<sup>2</sup>, application: Power

---

Phoenix Contact 2024 © - Toate drepturile rezervate

<https://www.phoenixcontact.com>

PHOENIX CONTACT România

Splaiul Unirii 165 Timpuri Noi Square TNO1, Etaj 1

Bucuresti 030133

+40 21 350 88 12 - 3

[sales.ro@phoenixcontact.com](mailto:sales.ro@phoenixcontact.com)