

Accessory for position switch Device plug (6+PE) for M20 x 1.5



product brand name	SIRIUS
product category	Miscellaneous accessories
product designation	Device plug
product type designation	3SY3
General technical data	
Substance Prohibition (Date)	07/01/2006
Net Weight	0.029 kg
Connections/ Terminals	
type of connectable conductor cross-sections	7x 0.75 mm ² / AWG18
Approvals Certificates	
General Product Approval	



Further information

Information on the packaging

<https://support.industry.siemens.com/cs/ww/en/view/109813875>

Information for data generation and storage

<https://support.industry.siemens.com/cs/ww/en/view/109995012>

Information- and Downloadcenter (Catalogs, Brochures,...)

<https://www.siemens.com/ic10>

Industry Mall (Online ordering system)

<https://mall.industry.siemens.com/mall/en/en/Catalog/product?mlfb=3SY3131>

Cax online generator

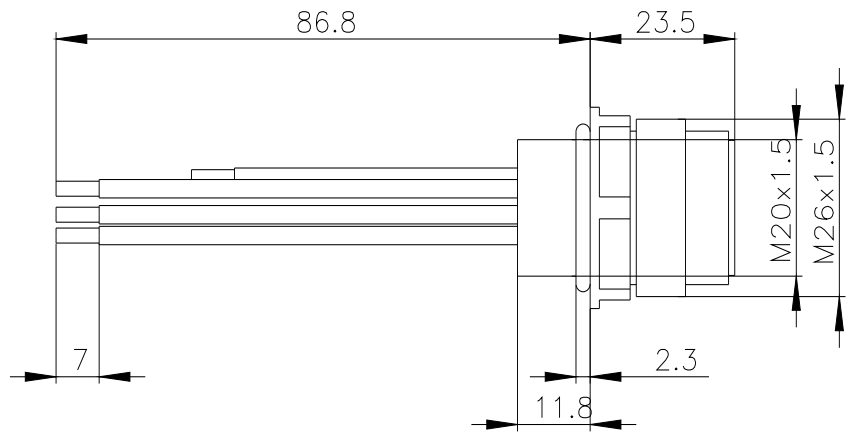
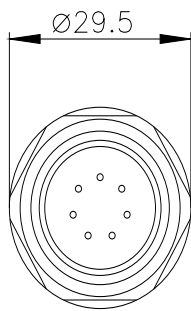
<https://support.automation.siemens.com/WW/CAXorder/default.aspx?lang=en&mlfb=3SY3131>

Service&Support (Manuals, Certificates, Characteristics, FAQs,...)

<https://support.industry.siemens.com/cs/ww/en/ps/3SY3131>

Image database (product images, 2D dimension drawings, 3D models, device circuit diagrams, EPLAN macros, ...)

https://www.automation.siemens.com/bilddb/cax_de.aspx?mlfb=3SY3131&lang=en



last modified:

10/22/2025 