

protective cover, accessories for position switch according to EN 50047/metal and plastic for protection of rounded plunger made of plastic



product brand name	SIRIUS		
product designation	protective cap		
product type designation	3SE5		
<b>General technical data</b>			
product function positive opening	Yes		
shock resistance			
• according to IEC 60068-2-27	30 g / 11 ms		
vibration resistance			
• according to IEC 60068-2-6	0.35 mm/5 g		
mechanical service life (operating cycles) typical	15 000 000		
material of the enclosure of the switch head	plastic		
reference code according to IEC 81346-2	T		
active principle	mechanical		
Substance Prohibittance (Date)	07/01/2006		
Net Weight	0.012 kg		
<b>Ambient conditions</b>			
ambient temperature			
• during operation	-25 ... +85 °C		
• during storage	-40 ... +90 °C		
explosion protection category for dust	none		
<b>Enclosure</b>			
coating of the enclosure	Other types		
<b>Drive Head</b>			
outer diameter of the switch head	10 mm		
<b>Installation/ mounting/ dimensions</b>			
mounting position	any		
fastening method	lockable plug-in fixing		
design of the interface for safety-related communication	without		
<b>Communication/ Protocol</b>			
design of the interface	without		
<b>Approvals Certificates</b>			
General Product Approval	Test Certificates	other	Environment



[Type Test Certificates/Test Report](#)

[Confirmation](#)

[Environmental Confirmations](#)

## Further information

### Information on the packaging

<https://support.industry.siemens.com/cs/ww/en/view/109813875>

### Information for data generation and storage

<https://support.industry.siemens.com/cs/ww/en/view/109995012>

### Information- and Downloadcenter (Catalogs, Brochures,...)

<https://www.siemens.com/ic10>

### Industry Mall (Online ordering system)

<https://mall.industry.siemens.com/mall/en/en/Catalog/product?mlfb=3SE5000-0AC30>

### Cax online generator

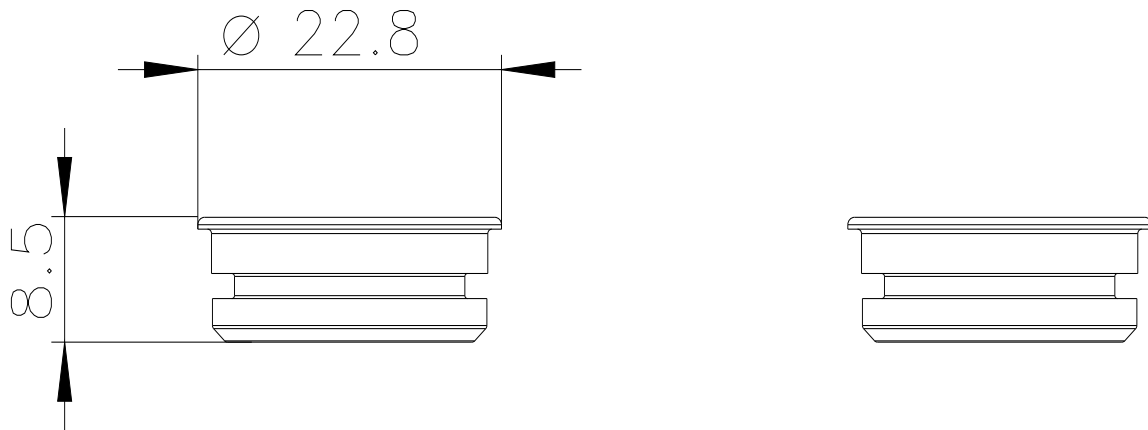
<https://support.automation.siemens.com/WW/CAXorder/default.aspx?lang=en&mlfb=3SE5000-0AC30>

### Service&Support (Manuals, Certificates, Characteristics, FAQs,...)

<https://support.industry.siemens.com/cs/ww/en/ps/3SE5000-0AC30>

### Image database (product images, 2D dimension drawings, 3D models, device circuit diagrams, EPLAN macros, ...)

[https://www.automation.siemens.com/bilddb/cax\\_de.aspx?mlfb=3SE5000-0AC30&lang=en](https://www.automation.siemens.com/bilddb/cax_de.aspx?mlfb=3SE5000-0AC30&lang=en)



last modified:

4/4/2026 