

AI-TWIN 2X 6 -14 YE - Ferrule

3201013

<https://www.phoenixcontact.com/ro/produse/3201013>

Vă rugăm să țineți cont de faptul că datele afișate în acest document PDF au fost generate din catalogul nostru online. Datele complete sunt disponibile în documentația pentru utilizator. În cazul descărcărilor, se aplică Termenii și condițiile generale de utilizare ale companiei noastre.

Ferrule, sleeve length: 14 mm, color: yellow



Avantajele dumneavoastră

- These special ferrules allow chain bridges to be set up with ease
- The TWIN ferrules provide a practical way of crimping two conductors in one ferrule
- Different versions of the individual TWIN ferrules can be selected for specific applications

Date comerciale

Număr articol	3201013
Unitate de ambalare	100 Bucată
Cantitate minimă pentru comandă	100 Bucată
Cod de achiziție	05
Cod produs	BH3413
Pagina de catalog	Pagina 486 (C-3-2019)
GTIN	4017918094560
Greutate pe bucată (inclusiv ambalajul)	0,716 g
Greutate pe bucată (fără ambalaj)	0,676 g
Cod tarifar vamal	85369010
Țara de origine	DE

AI-TWIN 2X 6 -14 YE - Ferrule

3201013

<https://www.phoenixcontact.com/ro/produse/3201013>

Date tehnic

Product properties

Product type	Cable end sleeve
Conductor category	stranded conductors, class 2, 5, 6 / B, C, K, M

Data management status

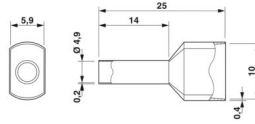
Article revision	04
------------------	----

Connection data

Conductor connection

Conductor cross section flexible max.	6 mm ²
Conductor cross section AWG max.	10
Stripping length	19 mm

Dimensions

Dimensional drawing	
Sleeve length	14 mm
Maximum stripping length	19 mm
Ferrule diameter	4.9 mm
Sleeve wall thickness	0.2 mm
Insulating collar thickness	0.4 mm
Inner dimensions of the insulating collar	5.9 mm

Material specifications

Color	yellow
Material	CU-DHP
Flammability rating according to UL 94	HB
Coating	tin-plated (galvanic)
Components	free from silicone and halogen

Mechanical properties

Technical data

Sleeve length	14 mm
---------------	-------

Environmental and real-life conditions

Ambient conditions

Permanent temperature	105 °C (-40 °C no load / 0 °C dynamic load)
Short-term temperature	120 °C

AI-TWIN 2X 6 -14 YE - Ferrule

3201013

<https://www.phoenixcontact.com/ro/produse/3201013>



Standards and regulations

Design according to standard

DIN 46228-4, UL 486F-F

AI-TWIN 2X 6 -14 YE - Ferrule

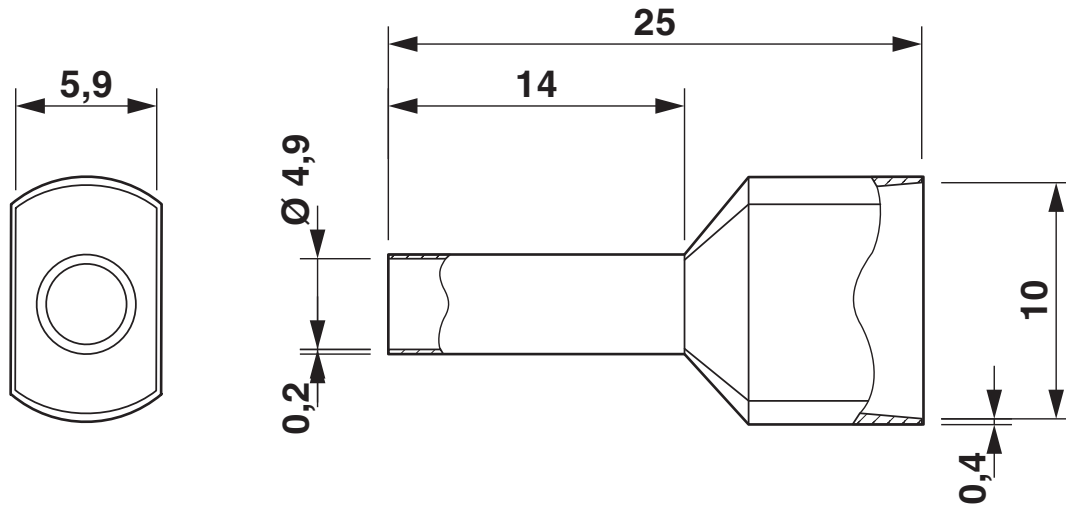
3201013

<https://www.phoenixcontact.com/ro/produse/3201013>



Desene

Dimensional drawing



AI-TWIN 2X 6 -14 YE - Ferrule



3201013

<https://www.phoenixcontact.com/ro/produse/3201013>

Clasificări

ECLASS

ECLASS-11.0	27400201
ECLASS-13.0	27400201
ECLASS-12.0	27400201

ETIM

ETIM 9.0	EC000005
----------	----------

UNSPSC

UNSPSC 21.0	27121700
-------------	----------

AI-TWIN 2X 6 -14 YE - Ferrule



3201013

<https://www.phoenixcontact.com/ro/produse/3201013>

Environmental product compliance

EU RoHS

Îndeplinește cerințele conform directivei RoHS	Da, Nicio reglementare privind excepțiile
--	---

China RoHS

Environment friendly use period (EFUP)	EFUP-E
	Nu există substanțe periculoase peste valorile limită

EU REACH SVHC

Trimitere la substanța candidată REACH (nr. CAS)	Nicio substanță cu un procentaj masic mai mare de 0,1 %
--	---

AI-TWIN 2X 6 -14 YE - Ferrule

3201013

<https://www.phoenixcontact.com/ro/produce/3201013>



Accesorii

CRIMPFOX 16R TWIN - Crimping pliers

1212845

<https://www.phoenixcontact.com/ro/produce/1212845>



Crimping pliers, for TWIN ferrules according to UL 486F, three marked die stations, unlockable pressure lock, lateral entry

CRIMPFOX DUO 16S - Crimping pliers

1202877

<https://www.phoenixcontact.com/ro/produce/1202877>



Crimping pliers, contact type: insulated and uninsulated ferrules, standards/regulations: DIN 46228-1, DIN 46228-4, UL 486F, Form A, E, F, cross-section, minimum: 0.14 mm², cross-section, maximum: 16 mm², for TWIN ferrules up to 2 mm² x 6 mm², automatic cross-section adjustment, rotating dies, lateral and front entry, crimping: square

Phoenix Contact 2024 © - Toate drepturile rezervate
<https://www.phoenixcontact.com>

PHOENIX CONTACT România
Splaiul Unirii 165 Timpuri Noi Square TNO1, Etaj 1
Bucuresti 030133
+40 21 350 88 12 - 3
sales.ro@phoenixcontact.com