





handle with masking plate standard size 100 x 100, for shaft 8 x 8, 0-I, handle size 100mm accessory for 3KD size 3 3KF size 2 and 3



Model			
product brand name	SETRON		
product designation	handle with masking plate		
design of the product	standard		
design of handle	Gray		
design of the door lock system	Door interlocking		
size of cross-section of the shaft of door-coupling rotary operating mechanism	8x8 mm		
size format of the masking frame of door-coupling rotary operating mechanism	100x 100 mm		
length of handle	100 mm		
protection class IP	IP65		
suitability for use	for 3KD size 3, 3KF size 2 and 3		
Product details			
product description	without lighting		
product feature interlock	Yes		
product component			
• extension shaft	No		
• handle for emergency-OFF function	No		
product feature lockable	Yes		
Accessories			
accessories	Handle with masking frame		
display version for switch position indicator	0-I		
Mechanical Design			
height	198 mm		
width	195 mm		
depth	105 mm		
Net Weight	639 g		
Approvals Certificates			
Environment	General Product Approval		
Environmental Conformations			
	 EG-Konf.		
Confirmation			
			
General Product Approval	Test Certificates	Maritime application	other

Further information

Information on the packaging

<https://support.industry.siemens.com/cs/ww/en/view/109813875>

Information for data generation and storage

<https://support.industry.siemens.com/cs/ww/en/view/109995012>

Information- and Downloadcenter (Catalogs, Brochures,...)

<https://www.siemens.com/lowvoltage/catalogs>

Industry Mall (Online ordering system)

<https://mall.industry.siemens.com/mall/en/en/Catalog/product?mlfb=8UD1841-2AD01>

Service&Support (Manuals, Certificates, Characteristics, FAQs,...)

<https://support.industry.siemens.com/cs/ww/en/ps/8UD1841-2AD01>

Image database (product images, 2D dimension drawings, 3D models, device circuit diagrams, ...)

https://www.automation.siemens.com/bilddb/cax_en.aspx?mlfb=8UD1841-2AD01

CAx-Online-Generator

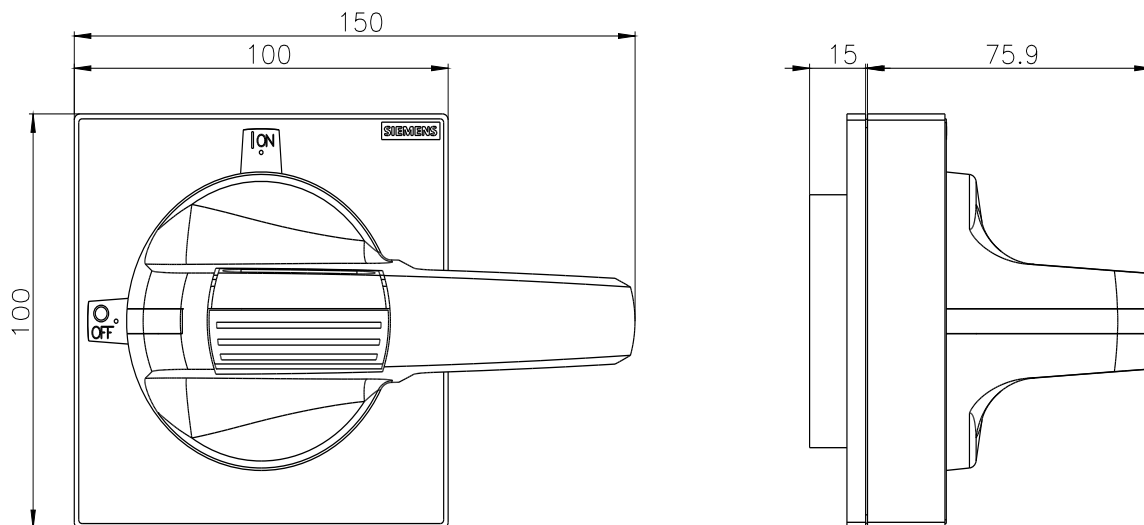
<https://www.siemens.com/cax>

Tender specifications

<https://www.siemens.com/specifications>

Characteristic curves

[https://curves.simaris.siemens.com/curves/<mmp_prod_noCOMP="HAUPT"></mmp_prod_no>](https://curves.simaris.siemens.com/curves/<mmp_prod_noCOMP=)



last modified:

4/4/2025

