

Assembly kit, for modification to DIN rail mounting, for size NH000 4-pole for floor mounting, accessories for 3NP1 fuse switch disconnectors

Model		
product brand name	SETRON	
product designation	mounting set	
design of the product	accessories for 3NP1 fuse switch disconnectors	
suitability for use	for 3NP1, 4-pole, NH000, floor mounting	
Accessories		
accessories	assembly kit	
Mechanical Design		
Net Weight	81 g	
Approvals Certificates		
Environment	General Product Approval	Maritime application

[Environmental Confirmations](#)

[Environmental Confirmations](#)



[Miscellaneous](#)



Further information

Information on the packaging

<https://support.industry.siemens.com/cs/ww/en/view/109813875>

Information for data generation and storage

<https://support.industry.siemens.com/cs/ww/en/view/109995012>

Information- and Downloadcenter (Catalogs, Brochures,...)

<https://www.siemens.com/lowvoltage/catalogs>

Industry Mall (Online ordering system)

<https://mall.industry.siemens.com/mall/en/en/Catalog/product?mlfb=3NP1924-1EA00>

Service&Support (Manuals, Certificates, Characteristics, FAQs,...)

<https://support.industry.siemens.com/cs/ww/en/ps/3NP1924-1EA00>

Image database (product images, 2D dimension drawings, 3D models, device circuit diagrams, ...)

https://www.automation.siemens.com/bilddb/cax_en.aspx?mlfb=3NP1924-1EA00

CAX-Online-Generator

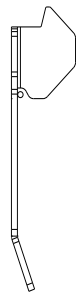
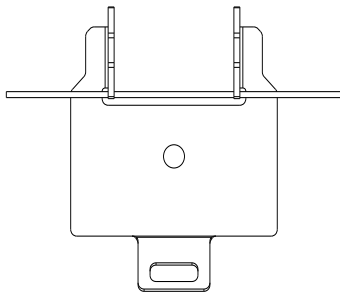
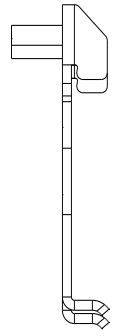
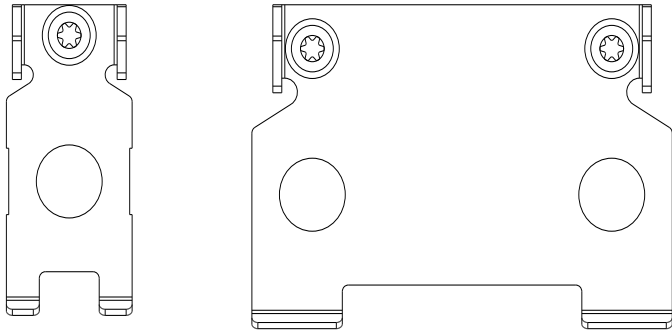
<https://www.siemens.com/cax>

Tender specifications

<https://www.siemens.com/specifications>

Characteristic curves

[https://curves.simaris.siemens.com/curves/<mmp_prod_noCOMP="HAUPT"></mmp_prod_no>](https://curves.simaris.siemens.com/curves/<mmp_prod_noCOMP=)



last modified:

4/12/2025 

