



coil connection module connection from top, screw terminal, for contactors 3RT2.2, 3RT2.3, and 3RT2.4

product brand name	SIRIUS	
product category	Coil connection modules	
product designation	Coil connection module	
product type designation	3RT29	
<b>General technical data</b>		
Substance Prohibitation (Date)	10/01/2009	
Net Weight	0.024 kg	
<b>Connections/ Terminals</b>		
type of electrical connection	screw terminal	
<b>Approvals Certificates</b>		
Environmental Product Declaration		
<ul style="list-style-type: none"> <li>global warming potential [CO2 eq] / during manufacturing</li> <li>global warming potential [CO2 eq] / during operation</li> <li>global warming potential [CO2 eq] / after end of life</li> <li>global warming potential [CO2 eq] / total</li> </ul>	<ul style="list-style-type: none"> <li>0.0885 kg</li> <li>6.96 kg</li> <li>-0.0061 kg</li> <li>7.04 kg</li> </ul>	
Environment	General Product Approval	Maritime application

[Environmental Confirmations](#)



Maritime application

other



[Confirmation](#)

### Further information

Information on the packaging

<https://support.industry.siemens.com/cs/ww/en/view/109813875>

Information for data generation and storage

<https://support.industry.siemens.com/cs/ww/en/view/109995012>

Information- and Downloadcenter (Catalogs, Brochures,...)

<https://www.siemens.com/ic10>

Industry Mall (Online ordering system)

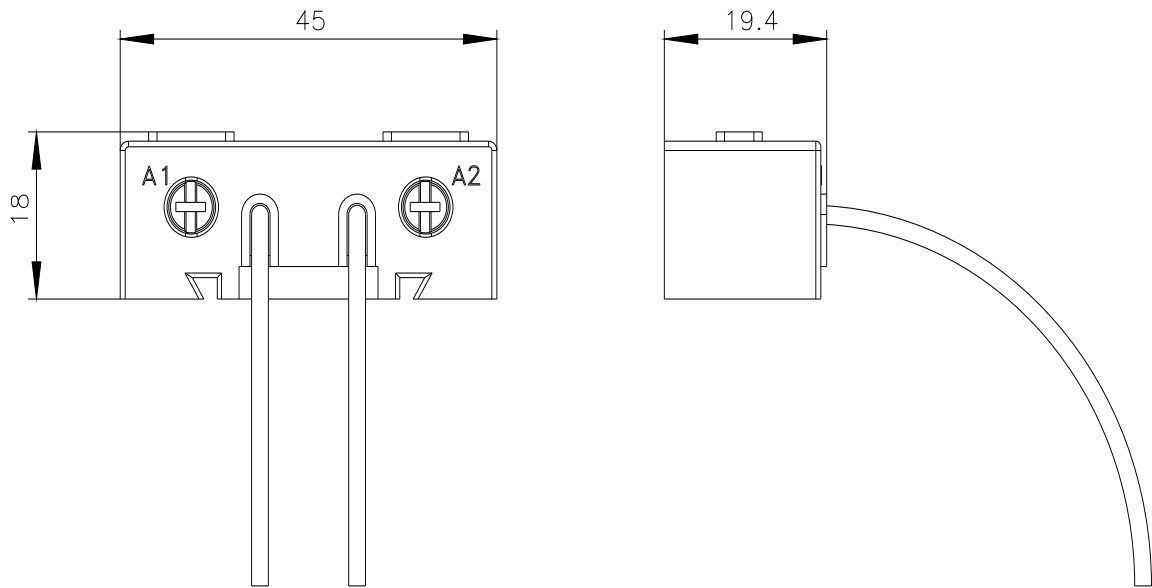
<https://mall.industry.siemens.com/mall/en/en/Catalog/product?mlfb=3RT2926-4RA11>

Cax online generator

<https://support.automation.siemens.com/WW/CAXorder/default.aspx?lang=en&mlfb=3RT2926-4RA11>

Service&Support (Manuals, Certificates, Characteristics, FAQs,...)

<https://support.industry.siemens.com/cs/ww/en/ps/3RT2926-4RA11>



last modified:

4/2/2025 