



standard actuator plastic 40 mm long, for position switch with separate actuator 3SE51/3SE52 and AS-i 3SF11/3SF12

product brand name	SIRIUS	
product designation	actuator	
product type designation	3SE5	
<b>General technical data</b>		
shock resistance		
• according to IEC 60068-2-27	30 g / 11 ms	
vibration resistance		
• according to IEC 60068-2-6	0.35 mm/5 g	
mechanical service life (operating cycles) typical	1 000 000	
reference code according to IEC 81346-2	T	
active principle	mechanical	
Substance Prohibitance (Date)	07/01/2006	
Net Weight	0.013 kg	
<b>Ambient conditions</b>		
ambient temperature		
• during operation	-25 ... +85 °C	
• during storage	-40 ... +90 °C	
<b>Drive Head</b>		
design of the actuating element	Standard actuator, plastic	
<b>Installation/ mounting/ dimensions</b>		
mounting position	any	
fastening method	screw fixing	
<b>Approvals Certificates</b>		
General Product Approval	other	Environment

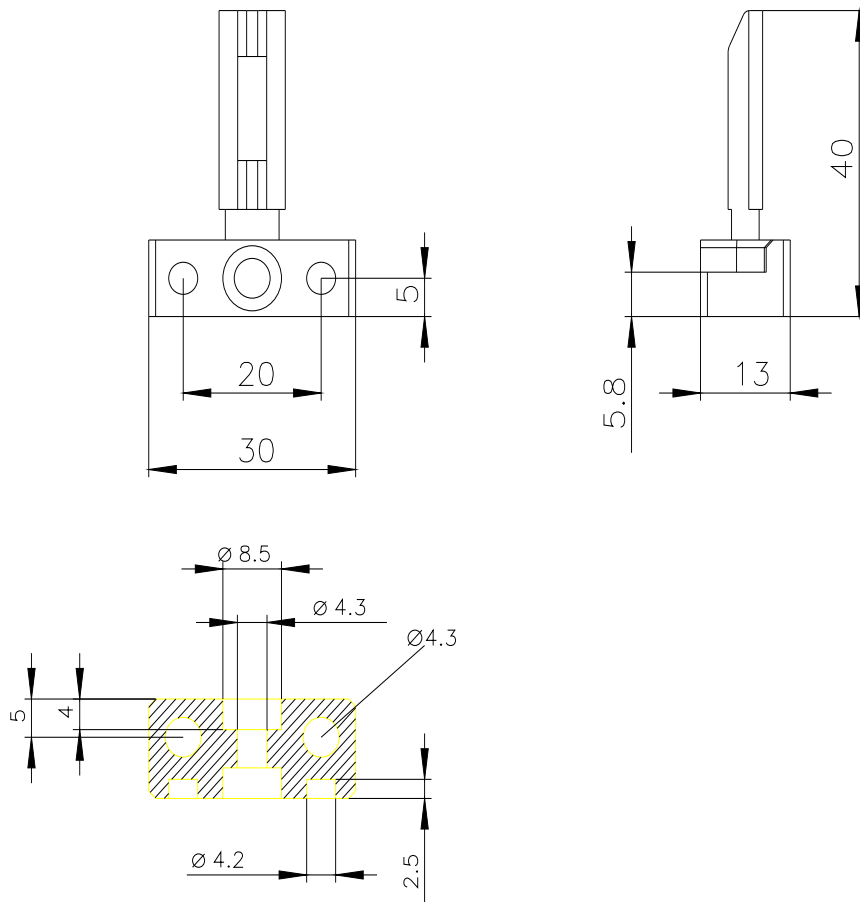


[Confirmation](#)

[Environmental Confirmations](#)

**Further information**

- Information on the packaging  
<https://support.industry.siemens.com/cs/ww/en/view/109813875>
- Information for data generation and storage  
<https://support.industry.siemens.com/cs/ww/en/view/109995012>
- Information- and Downloadcenter (Catalogs, Brochures,...)  
<https://www.siemens.com/ic10>
- Industry Mall (Online ordering system)  
<https://mall.industry.siemens.com/mall/en/en/Catalog/product?mlfb=3SE5000-0AW11>
- Cax online generator  
<https://support.automation.siemens.com/WW/CAXorder/default.aspx?lang=en&mlfb=3SE5000-0AW11>



last modified:

4/4/2026 