

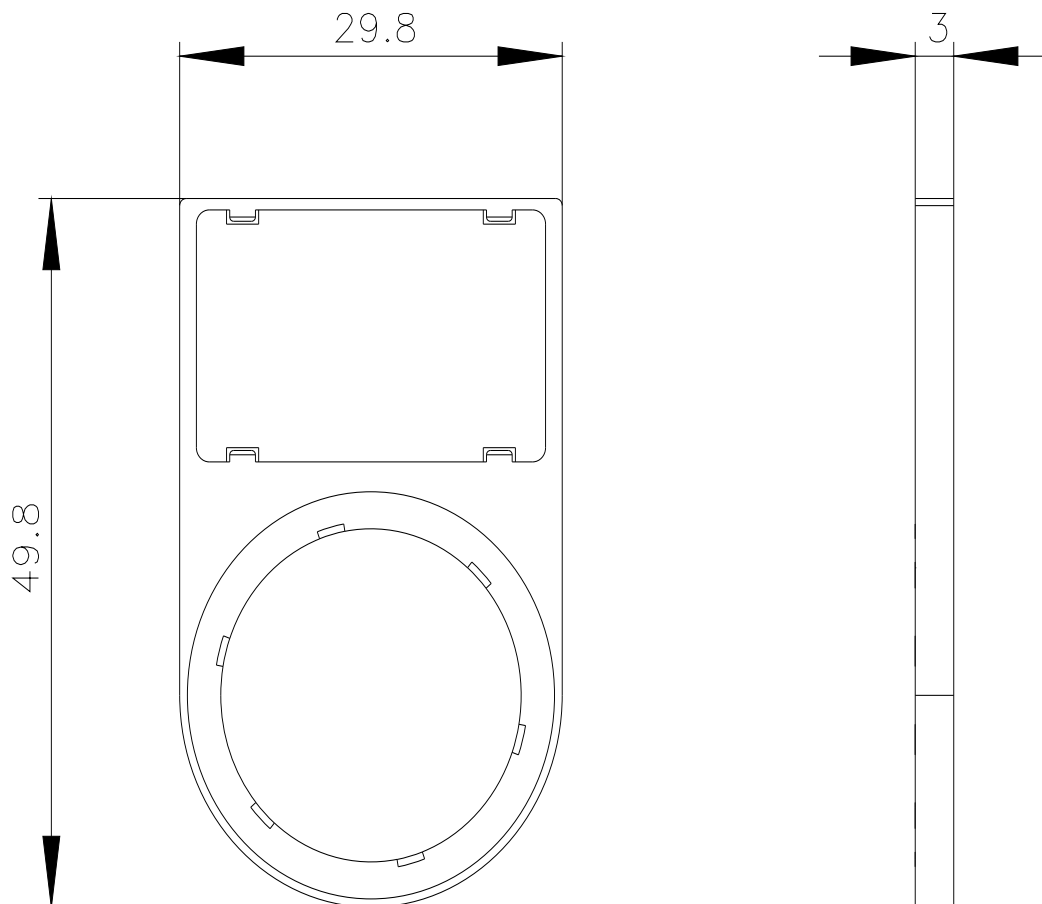


Label holder, 22mm, flat, Frame rounded off at the bottom black, for labeling plate 17.5 mm x 27 mm, for snapping on

product brand name	SIRIUS ACT	
product designation	Label holder	
design of the product	for labeling plate 17.5 x 27 mm	
product type designation	3SU1	
General technical data		
protection class IP	IP66, IP67, IP69(IP69K)	
degree of protection NEMA rating	1, 2, 3, 3R, 4, 4X, 12	
shock resistance for railway applications according to EN 61373	Category 1, Class B	
vibration resistance for railway applications according to EN 61373	Category 1, Class B	
Substance Prohibittance (Date)	10/01/2014	
Net Weight	2 g	
Ambient conditions		
ambient temperature		
• during operation	70 ... -25 °C	
• during storage and transport	80 ... -40 °C	
Installation/ mounting/ dimensions		
height	49.8 mm	
width	29.8 mm	
Accessories		
material of accessory	Plastic	
shape of label holder	rounded below	
color of label holder	Black	
fastening method of label	snap on	
Approvals Certificates		
Environmental Product Declaration		
• global warming potential [CO2 eq] / during manufacturing	0.566 kg	
• global warming potential [CO2 eq] / during operation	0.235 kg	
• global warming potential [CO2 eq] / after end of life	-0.0145 kg	
• global warming potential [CO2 eq] / total	0.787 kg	
Environment	General Product Approval	Maritime application

[Environmental Con-
firmations](#)



[Confirmation](#)**Further information****Information on the packaging**<https://support.industry.siemens.com/cs/ww/en/view/109813875>**Information for data generation and storage**<https://support.industry.siemens.com/cs/ww/en/view/109995012>**Information- and Downloadcenter (Catalogs, Brochures,...)**<https://www.siemens.com/ic10>**Industry Mall (Online ordering system)**<https://mall.industry.siemens.com/mall/en/en/Catalog/product?mlfb=3SU1900-0AS10-0AA0>**Cax online generator**<https://support.automation.siemens.com/WW/CAXorder/default.aspx?lang=en&mlfb=3SU1900-0AS10-0AA0>**Service&Support (Manuals, Certificates, Characteristics, FAQs,...)**<https://support.industry.siemens.com/cs/ww/en/ps/3SU1900-0AS10-0AA0>**Image database (product images, 2D dimension drawings, 3D models, device circuit diagrams, EPLAN macros, ...)**https://www.automation.siemens.com/bilddb/cax_de.aspx?mlfb=3SU1900-0AS10-0AA0&lang=en

last modified:

4/2/2025