






Siemens  
EcoTech



Backing plate round, for EMERGENCY STOP mushroom pushbutton, yellow, self-adhesive, Outer diameter 75 mm, inside diameter 23 mm, with inscription: NOT-HALT

<b>product brand name</b>	SIRIUS ACT	
<b>product designation</b>	EMERGENCY STOP backing plate	
<b>product type designation</b>	3SU1	
<b>General technical data</b>		
shock resistance for railway applications according to EN 61373	Category 1, Class B	
vibration resistance for railway applications according to EN 61373	Category 1, Class B	
<b>Substance Prohibitation (Date)</b>	10/01/2014	
<b>Net Weight</b>	1 g	
<b>Ambient conditions</b>		
<b>ambient temperature</b>		
• during operation	70 ... -25 °C	
• during storage and transport	80 ... -40 °C	
<b>Accessories</b>		
<b>material of accessory</b>	Plastic	
<b>fastening method of label</b>	stick	
<b>marking of backing plate</b>	NOT-HALT	
<b>shape of backing plate</b>	Round	
<b>color of backing plate</b>	yellow (plate); black (text)	
<b>product function illuminated backing plate</b>	No	
<b>Approvals Certificates</b>		
Environmental Product Declaration		
• global warming potential [CO2 eq] / during manufacturing	0.566 kg	
• global warming potential [CO2 eq] / during operation	0.235 kg	
• global warming potential [CO2 eq] / after end of life	-0.0145 kg	
• global warming potential [CO2 eq] / total	0.787 kg	
<b>Environment</b>	<b>General Product Approval</b>	<b>Maritime application</b>
<a href="#">Environmental Confirmations</a>	    	
<b>Maritime application</b>	other	



[Confirmation](#)

#### Further information

**Information on the packaging**

<https://support.industry.siemens.com/cs/ww/en/view/109813875>

**Information for data generation and storage**

<https://support.industry.siemens.com/cs/ww/en/view/109995012>

**Information- and Downloadcenter (Catalogs, Brochures,...)**

<https://www.siemens.com/ic10>

**Industry Mall (Online ordering system)**

<https://mall.industry.siemens.com/mall/en/en/Catalog/product?mlfb=3SU1900-0BC31-0AT0>

**Cax online generator**

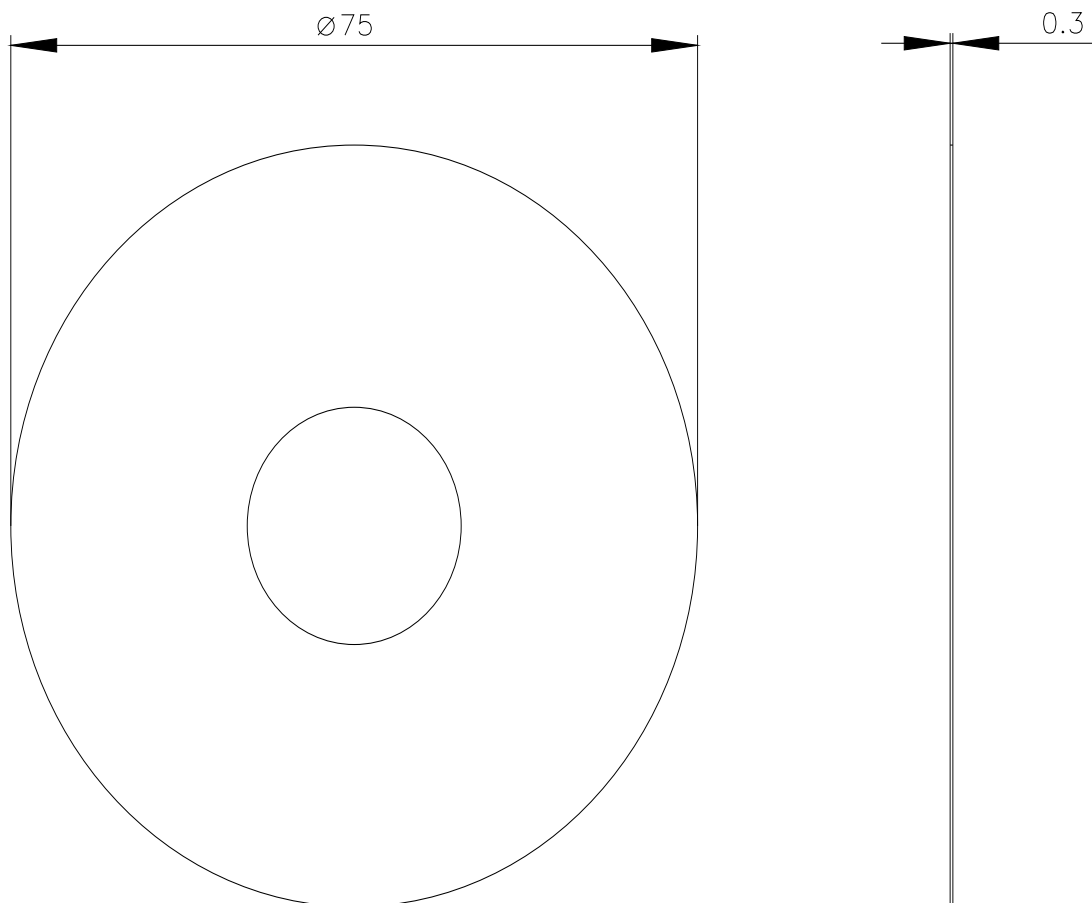
<https://support.automation.siemens.com/WW/CAXorder/default.aspx?lang=en&mlfb=3SU1900-0BC31-0AT0>

**Service&Support (Manuals, Certificates, Characteristics, FAQs,...)**

<https://support.industry.siemens.com/cs/ww/en/ps/3SU1900-0BC31-0AT0>

**Image database (product images, 2D dimension drawings, 3D models, device circuit diagrams, EPLAN macros, ...)**

[https://www.automation.siemens.com/bilddb/cax\\_de.aspx?mlfb=3SU1900-0BC31-0AT0&lang=en](https://www.automation.siemens.com/bilddb/cax_de.aspx?mlfb=3SU1900-0BC31-0AT0&lang=en)



last modified:

4/2/2025