

handle with masking plate standard illuminated size 100x 100, for shaft 12x 12, test-0-I, handle size 200mm accessory for 3KD size 5 3KF size 5



Model	
product brand name	SETRON
product designation	handle with masking plate
design of the product	standard with tolerance compensation
design of handle	Gray
design of the door lock system	Door interlocking
size of cross-section of the shaft of door-coupling rotary operating mechanism	12x12 mm
size format of the masking frame of door-coupling rotary operating mechanism	100x 100 mm
length of handle	200 mm
protection class IP	IP65
suitability for use	for 3KD size 5, 3KF size 5

Product details	
product description	with illumination
product feature interlock	Yes
product component	
• extension shaft	No
• handle for emergency-OFF function	No
product feature lockable	Yes

Accessories	
accessories	Handle with masking frame
display version for switch position indicator	test-0-I

Mechanical Design	
height	144 mm
width	98 mm
depth	450 mm
Net Weight	698 g

Approvals Certificates		
Environment	General Product Approval	Maritime application

[Environmental Conformations](#)



Further information
Information on the packaging <a href="https://support.industry.siemens.com/cs/ww/en/view/109813875">https://support.industry.siemens.com/cs/ww/en/view/109813875</a>
Information for data generation and storage

<https://support.industry.siemens.com/cs/ww/en/view/109995012>

Information- and Downloadcenter (Catalogs, Brochures,...)

<https://www.siemens.com/lowvoltage/catalogs>

Industry Mall (Online ordering system)

<https://mall.industry.siemens.com/mall/en/en/Catalog/product?mlfb=8UD1861-4CF01>

Service&Support (Manuals, Certificates, Characteristics, FAQs,...)

<https://support.industry.siemens.com/cs/ww/en/ps/8UD1861-4CF01>

Image database (product images, 2D dimension drawings, 3D models, device circuit diagrams, ...)

[https://www.automation.siemens.com/bilddb/cax\\_en.aspx?mlfb=8UD1861-4CF01](https://www.automation.siemens.com/bilddb/cax_en.aspx?mlfb=8UD1861-4CF01)

CAX-Online-Generator

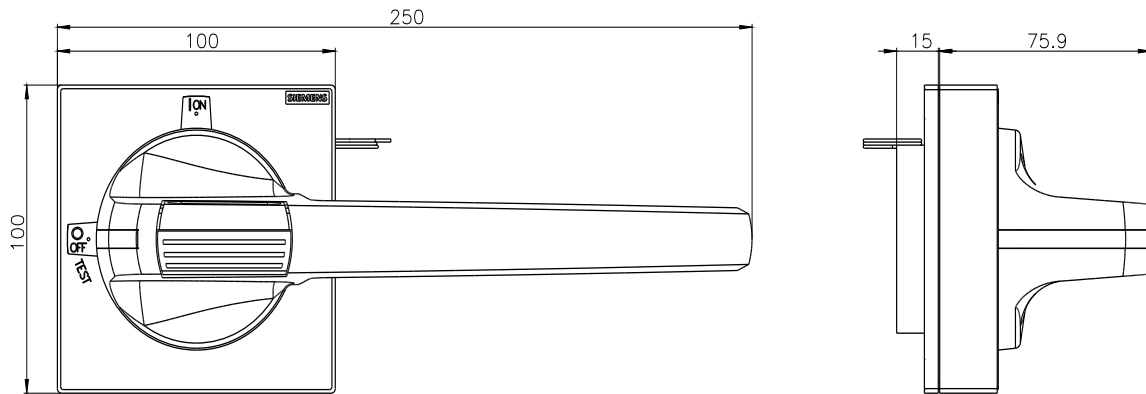
<https://www.siemens.com/cax>

Tender specifications

<https://www.siemens.com/specifications>

Characteristic curves

[https://curves.simaris.siemens.com/curves/<mmp\\_prod\\_noCOMP="HAUPT"></mmp\\_prod\\_no>](https://curves.simaris.siemens.com/curves/<mmp_prod_noCOMP=)



last modified:

4/4/2025 

