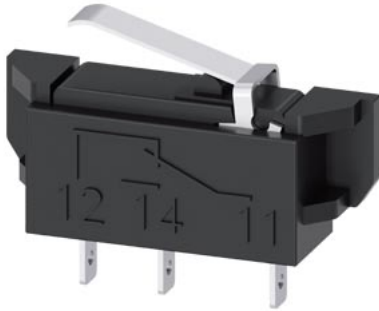


auxiliary switch, 1 changeover contact, for size NH000 narrow, accessory for fuse switch disconnecter 3NP1



Model		
product brand name	SETRON	
product designation	auxiliary switch	
design of the product	accessories for 3NP1 fuse switch disconnectors	
Accessories		
accessories	auxiliary switch	
Mechanical Design		
Net Weight	8 g	
Approvals Certificates		
Environment	General Product Approval	Maritime application

[Environmental Confirmations](#)

[Environmental Confirmations](#)

[Miscellaneous](#)



Further information

Information on the packaging

<https://support.industry.siemens.com/cs/ww/en/view/109813875>

Information for data generation and storage

<https://support.industry.siemens.com/cs/ww/en/view/109995012>

Information- and Downloadcenter (Catalogs, Brochures,...)

<https://www.siemens.com/lowvoltage/catalogs>

Industry Mall (Online ordering system)

<https://mall.industry.siemens.com/mall/en/en/Catalog/product?mlfb=3NP1910-1FA00>

Service&Support (Manuals, Certificates, Characteristics, FAQs,...)

<https://support.industry.siemens.com/cs/ww/en/ps/3NP1910-1FA00>

Image database (product images, 2D dimension drawings, 3D models, device circuit diagrams, ...)

https://www.automation.siemens.com/bilddb/cax_en.aspx?mlfb=3NP1910-1FA00

CAX-Online-Generator

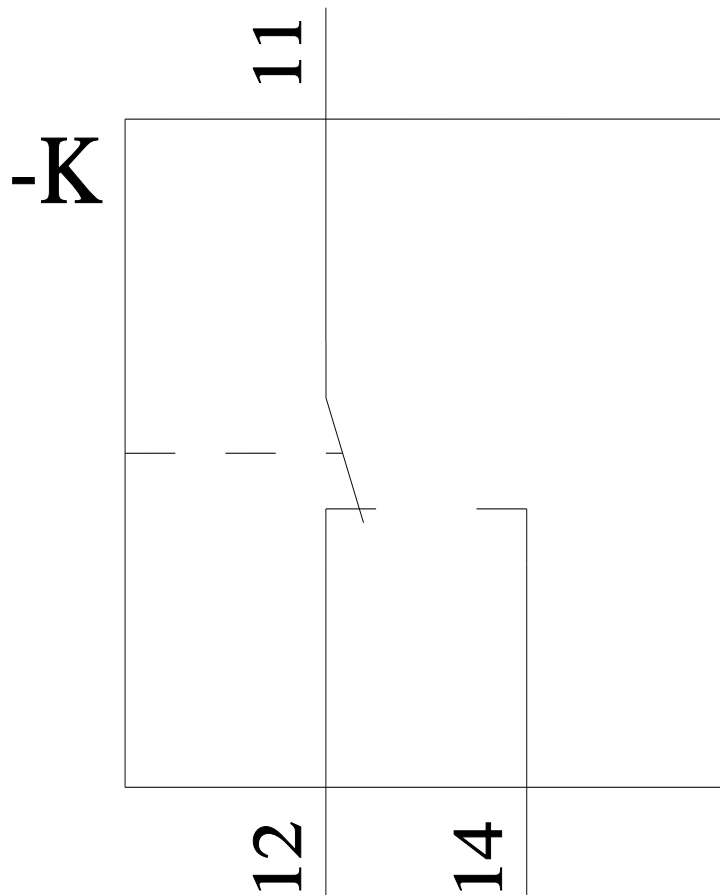
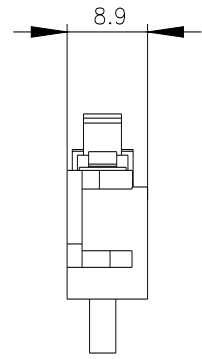
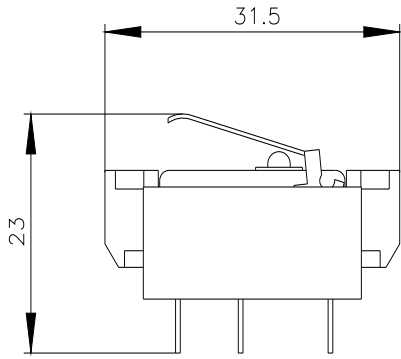
<https://www.siemens.com/cax>

Tender specifications

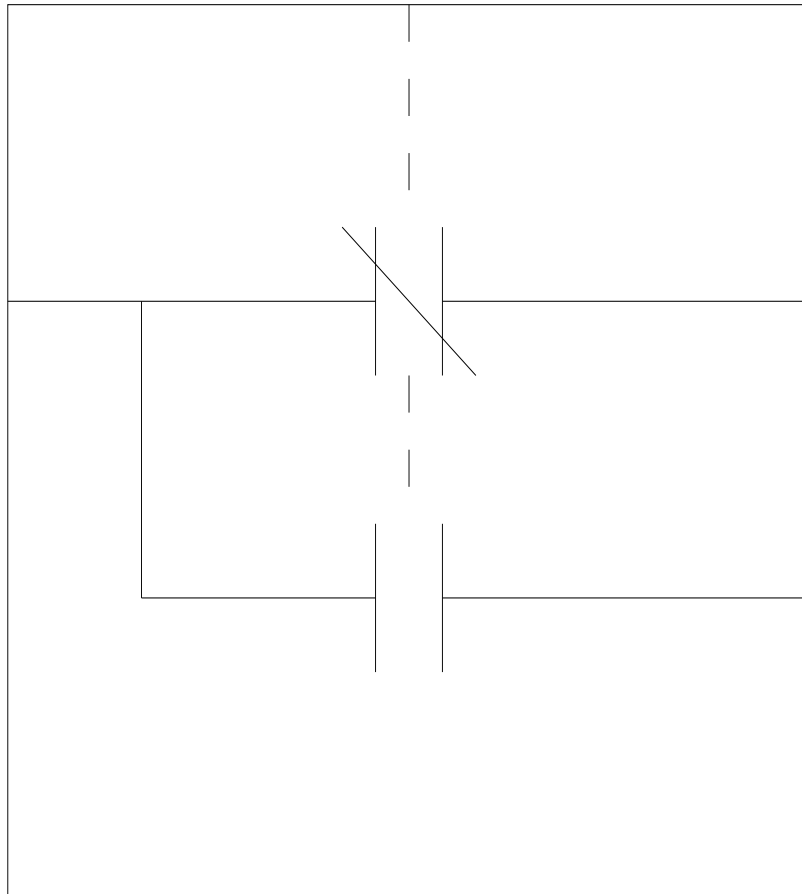
<https://www.siemens.com/specifications>

Characteristic curves

[https://curves.simaris.siemens.com/curves/<mmp_prod_noCOMP="HAUPT"></mmp_prod_no>](https://curves.simaris.siemens.com/curves/<mmp_prod_noCOMP=)



CR



last modified:

4/12/2025 

