

Signal detector for LV HRC fuse links of size 000/00/1 and 2 for mounting on the grip lugs of the fuse link



Model			
product brand name	SENTRON		
product designation	Signal detector		
design of the product	Signal detector		
General technical data			
size of fuse link	others		
Accessories			
accessories	others		
Mechanical Design			
Net Weight	22 g		
Approvals Certificates			
Environment	General Product Approval	Test Certificates	other

[Environmental Confirmations](#)

[Confirmation](#)

[Special Test Certificate](#)



[Confirmation](#)

Further information

Information on the packaging

<https://support.industry.siemens.com/cs/ww/en/view/109813875>

Information for data generation and storage

<https://support.industry.siemens.com/cs/ww/en/view/109995012>

Information- and Downloadcenter (Catalogs, Brochures,...)

<https://www.siemens.com/lowvoltage/catalogs>

Industry Mall (Online ordering system)

<https://mall.industry.siemens.com/mall/en/en/Catalog/product?mlfb=3NX1024>

Service&Support (Manuals, Certificates, Characteristics, FAQs,...)

<https://support.industry.siemens.com/cs/ww/en/ps/3NX1024>

Image database (product images, 2D dimension drawings, 3D models, device circuit diagrams, ...)

https://www.automation.siemens.com/bilddb/cax_en.aspx?mlfb=3NX1024

CAX-Online-Generator

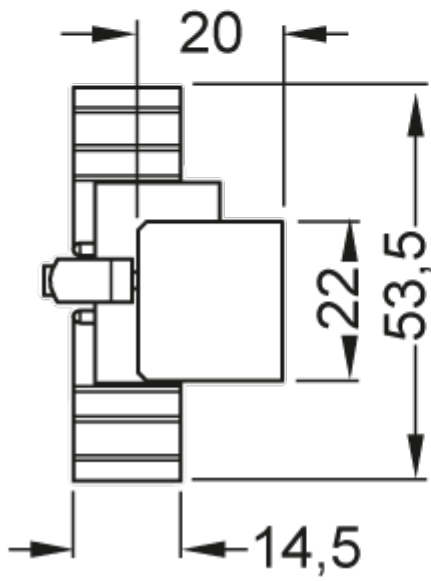
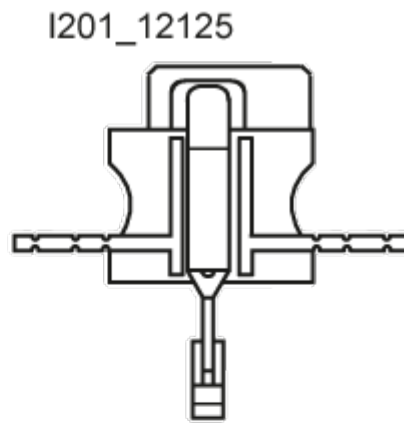
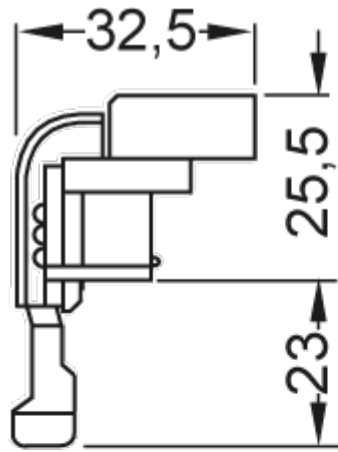
<https://www.siemens.com/cax>

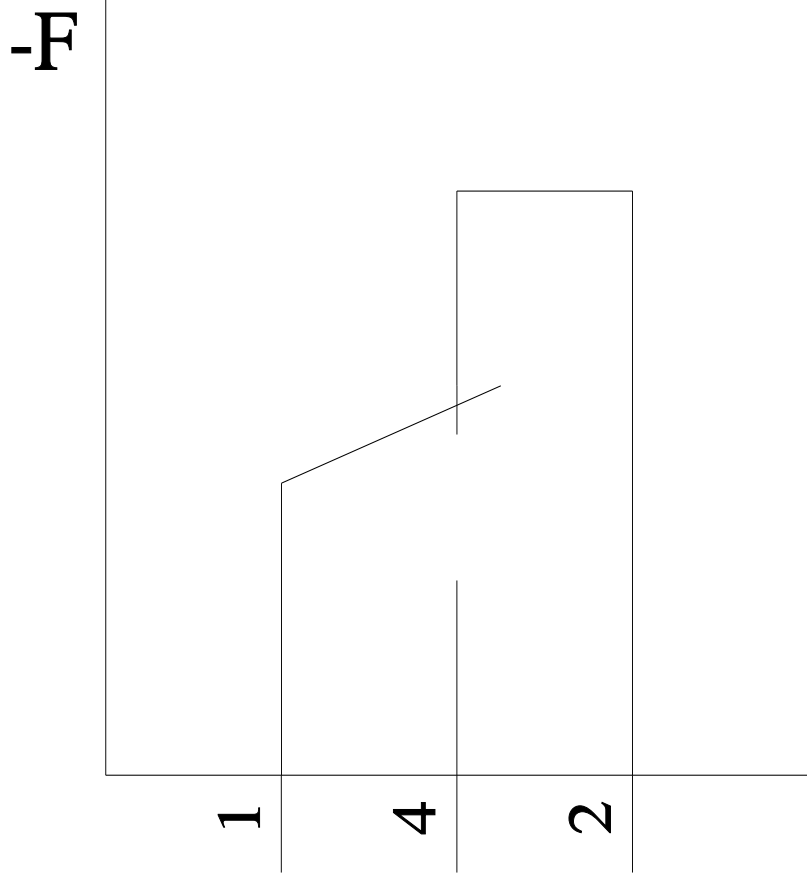
Tender specifications

<https://www.siemens.com/specifications>

Characteristic curves

[https://curves.simaris.siemens.com/curves/<mmp_prod_noCOMP="HAUPT"></mmp_prod_no>](https://curves.simaris.siemens.com/curves/<mmp_prod_noCOMP=)





last modified:

4/12/2025 