

Link module Electrical and mechanical for 3RV2011 and 3RT201. Spring-type terminal

product brand name	SIRIUS
product category	Wiring modules, connectors and kits
product designation	link module
design of the product	actuating voltage contactor: AC and DC
product type designation	3RA29

General technical data	
size of the circuit-breaker	S00
size of contactor	S00
Substance Prohibittance (Date)	10/01/2009
Net Weight	0.06 kg
number of poles	3

Installation/ mounting/ dimensions	
fastening method	clip-on

Approvals Certificates		
Environment	General Product Approval	Maritime application

[Environmental Confirmations](#)



Maritime application

other



[Confirmation](#)

Further information

Information on the packaging

<https://support.industry.siemens.com/cs/ww/en/view/109813875>

Information for data generation and storage

<https://support.industry.siemens.com/cs/ww/en/view/109995012>

Information- and Downloadcenter (Catalogs, Brochures,...)

<https://www.siemens.com/ic10>

Industry Mall (Online ordering system)

<https://mall.industry.siemens.com/mall/en/en/Catalog/product?mlfb=3RA2911-2AA00>

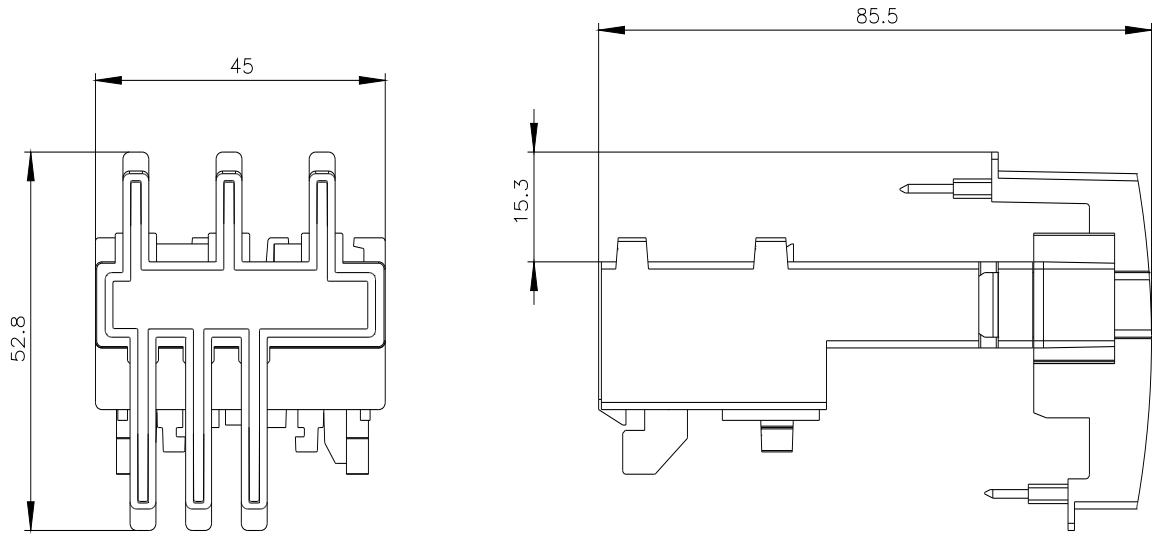
Cax online generator

<https://support.automation.siemens.com/WW/CAXorder/default.aspx?lang=en&mlfb=3RA2911-2AA00>

Service&Support (Manuals, Certificates, Characteristics, FAQs,...)

<https://support.industry.siemens.com/cs/ww/en/ps/3RA2911-2AA00>

Image database (product images, 2D dimension drawings, 3D models, device circuit diagrams, EPLAN macros, ...)



last modified:

4/2/2025 