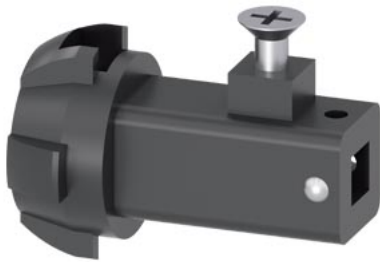


Door-coupling 6x6 mm, accessory for: door-coupling rotary mechanism shaft 6x 6 mm, 3LD5 UL, 3KD0



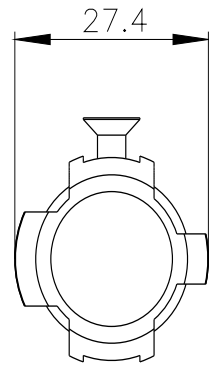
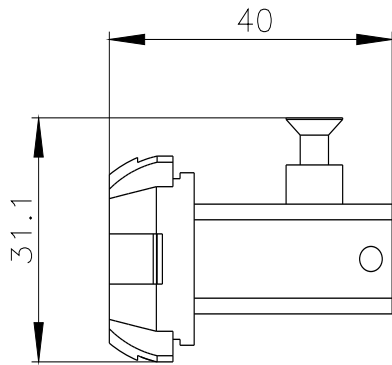
| Model | | |
|--|---|----------------------|
| product brand name | SETRON | |
| product designation | door coupling | |
| size of cross-section of the shaft of door-coupling rotary operating mechanism | 6x6 mm | |
| suitability for use | for shaft 6x 6 mm, 3LD5 UL door mounted rotary operator | |
| Product details | | |
| product description | without lighting | |
| product component | | |
| • extension shaft | No | |
| Accessories | | |
| accessories | Door coupling | |
| Mechanical Design | | |
| height | 26.2 mm | |
| width | 27.4 mm | |
| depth | 40 mm | |
| Net Weight | 14 g | |
| Approvals Certificates | | |
| Environment | General Product Approval | Maritime application |

[Environmental Conformations](#)



Further information

- Information on the packaging
<https://support.industry.siemens.com/cs/ww/en/view/109813875>
- Information for data generation and storage
<https://support.industry.siemens.com/cs/ww/en/view/109995012>
- Information- and Downloadcenter (Catalogs, Brochures,...)
<https://www.siemens.com/lowvoltage/catalogs>
- Industry Mall (Online ordering system)
<https://mall.industry.siemens.com/mall/en/en/Catalog/product?mlfb=8UD1900-1HA00>
- Service&Support (Manuals, Certificates, Characteristics, FAQs,...)
<https://support.industry.siemens.com/cs/ww/en/ps/8UD1900-1HA00>
- Image database (product images, 2D dimension drawings, 3D models, device circuit diagrams, ...)
https://www.automation.siemens.com/bilddb/cax_en.aspx?mlfb=8UD1900-1HA00
- CAX-Online-Generator
<https://www.siemens.com/cax>
- Tender specifications
<https://www.siemens.com/specifications>
- Characteristic curves



last modified:

4/4/2025 