



SETRON, Switch disconnecter 3LD, emergency switching-off switch, 3- pole, Iu: 125 A, operating power / at AC-23 A 400 V: 45 kW, floor mounting with door coupling, rotary operating mechanism, Red / yellow, 4-hole mounting of the handle, without tolerance compensation, Installation dimension 138.5 mm, Handle rotated by 90°

Model	
product brand name	SETRON
product designation	Switch disconnecter
design of the product	EMERGENCY-STOP switch
display version for switch position indicator manual operation	1 ON - 0 OFF
type of switch	Floor mounting with door coupling
design of the actuating element	Short rotary knob
color of the actuating element	red
design of handle	rotary operating mechanism, red/yellow
type of the driving mechanism motor drive	No
General technical data	
number of poles	3
size of switch disconnecter	4
mechanical service life (operating cycles) typical	100 000
electrical endurance (operating cycles)	
• at AC-23 A at 690 V	6 000
operating frequency maximum	50 1/h
degree of pollution	3
Voltage	
insulation voltage rated value	690 V
surge voltage resistance rated value	6 kV
operating voltage	
• at AC rated value	690 V
operating frequency rated value	
• minimum	50 Hz
• maximum	60 Hz
Protection class	
protection class IP	IP65
degree of protection NEMA rating	1, 3R, 4X, 12
protection class IP on the front	IP65
Dissipation	
power loss [W] for rated value of the current at AC in hot operating state per pole	12 W
Main circuit	
operational current	
• at AC-21 at 690 V rated value	125 A
• at AC-21 A at 240 V rated value	125 A
• at AC-21 A at 400 V rated value	125 A

<ul style="list-style-type: none"> <li>• at AC-21 A at 440 V rated value</li> </ul>	125 A
<ul style="list-style-type: none"> <li>• at AC-23 A at 400 V rated value</li> </ul>	80 A
<b>operating power</b>	
<ul style="list-style-type: none"> <li>• at AC-23 A at 240 V rated value</li> </ul>	22 kW
<ul style="list-style-type: none"> <li>• at AC-23 A at 400 V rated value</li> </ul>	45 kW
<ul style="list-style-type: none"> <li>• at AC-23 A at 440 V rated value</li> </ul>	45 kW
<ul style="list-style-type: none"> <li>• at AC-23 A at 690 V rated value</li> </ul>	37 kW
<ul style="list-style-type: none"> <li>• at AC-3 at 240 V rated value</li> </ul>	22 kW
<ul style="list-style-type: none"> <li>• at AC-3 at 400 V rated value</li> </ul>	37 kW
<ul style="list-style-type: none"> <li>• at AC-3 at 690 V rated value</li> </ul>	30 kW
<b>Auxiliary circuit</b>	
number of CO contacts for auxiliary contacts	0
number of NC contacts for auxiliary contacts	0
number of NO contacts for auxiliary contacts	0
operating voltage of auxiliary contacts at AC maximum	500 V
continuous current of the auxiliary contact rated value	10 A
insulation voltage of the auxiliary switch rated value	500 V
<b>Suitability</b>	
suitability for use main switch	Yes
suitability for use switch disconnecter	Yes
suitability for use EMERGENCY OFF switch	Yes
suitability for use safety switch	Yes
suitability for use maintenance/repair switch	Yes
<b>Product details</b>	
special product feature	Without tolerance compensation, installation dimension 138.5 mm, handle rotated 90°
product feature can be locked into OFF position	Yes
<b>Accessories</b>	
product extension optional	
<ul style="list-style-type: none"> <li>• motor drive</li> </ul>	No
<ul style="list-style-type: none"> <li>• voltage trigger</li> </ul>	No
number of connectable NC contacts for auxiliary contacts attachable maximum	3
number of connectable NO contacts for auxiliary contacts attachable maximum	5
number of connectable CO contacts for auxiliary contacts attachable maximum	0
number of bracket locks maximum	3
hasp thickness of the bracket locks	4 ... 8 mm
<b>Short circuit</b>	
conditional short-circuit current with line-side fuse protection	
<ul style="list-style-type: none"> <li>• at 690 V by gG fuse rated value</li> </ul>	20 kA
let-through current with closed switch	
<ul style="list-style-type: none"> <li>• at 240 V for combination switch + gG fuse maximum</li> </ul>	10 kA
<ul style="list-style-type: none"> <li>• at 440 V for combination switch + gG fuse maximum</li> </ul>	10 kA
<ul style="list-style-type: none"> <li>• at 690 V for combination switch + gG fuse maximum permissible</li> </ul>	10 kA
I <sup>2</sup> t value with closed switch	
<ul style="list-style-type: none"> <li>• at 240 V for combination switch + gG fuse maximum</li> </ul>	104 kA <sup>2</sup> ·s
<ul style="list-style-type: none"> <li>• at 440 V for combination switch + gG fuse maximum</li> </ul>	104 kA <sup>2</sup> ·s
<ul style="list-style-type: none"> <li>• at 690 V for combination switch + gG fuse maximum</li> </ul>	104 kA <sup>2</sup> ·s
design of the fuse link	
<ul style="list-style-type: none"> <li>• for short-circuit protection of the auxiliary switch required</li> </ul>	fuse gL/gG: 10 A
operational current of upstream fuse rated value	125 A
<b>according UL</b>	
operational current at AC according to UL 508/UL 60947-4-1 rated value	125 A
operating voltage at AC at 50/60 Hz according to UL 508/UL 60947-4-1 rated value	600 V
active power [hp] at AC at 480 V according to UL 508/UL	75

<b>60947-4-1 rated value</b>	
<b>active power [hp] at AC at 600 V according to UL 508/UL 60947-4-1 rated value</b>	100
<b>short-time withstand current (SCCR) at 600 V according to UL 508/UL 60947-4-1</b>	10 kA
<b>continuous current of upstream fuse according to UL rated value</b>	200 A
<b>type of fuse according to UL</b>	RK5

### Connections

<b>AWG number as coded connectable conductor cross section solid maximum</b>	
•	1
•	12
<b>type of connectable conductor cross-sections for copper conductor</b>	
• solid	1x (4...50mm <sup>2</sup> )
• finely stranded with core end processing	1x (4...35mm <sup>2</sup> )
• stranded	1x (4...50mm <sup>2</sup> )
<b>type of connectable conductor cross-sections for auxiliary contacts</b>	
• solid	lateral auxiliary switch 2x (0,75 ... 2,5mm <sup>2</sup> ), 1x 4mm <sup>2</sup> ; front auxiliary switch 1x (0,75 ... 2,5mm <sup>2</sup> )
• finely stranded with core end processing	lateral auxiliary switch 2x (0,75 ... 1,5mm <sup>2</sup> ), 1x 2,5mm <sup>2</sup> ; front auxiliary switch 1x 2,5mm <sup>2</sup>
• stranded	lateral auxiliary switch 2x (0,75 ... 2,5mm <sup>2</sup> ), 1x 4mm <sup>2</sup> ; front auxiliary switch 1x (0,75 ... 2,5mm <sup>2</sup> )
<b>type of electrical connection</b>	
• for main current circuit	box terminal
• for auxiliary contacts	connection terminals

### Mechanical Design

<b>height</b>	105 mm
<b>width</b>	71 mm
<b>depth</b>	361 mm
<b>type of device</b>	fixed mounting
<b>fastening method</b>	Built-in unit fixed-mounted version
<b>fastening method</b>	
• 4-hole front mounting	Yes
• front mounting with central attachment	No
• rail mounting	Yes
<b>Net Weight</b>	591 g

### Environmental conditions

<b>ambient temperature during operation</b>	
• minimum	-25 °C
• maximum	55 °C
<b>ambient temperature during storage</b>	
• minimum	-25 °C
• maximum	55 °C

### Approvals Certificates

<b>Environment</b>	<b>General Product Approval</b>
--------------------	---------------------------------

[Environmental Con-  
firmations](#)

[Environmental Con-  
firmations](#)



[Miscellaneous](#)

<b>General Product Ap- proval</b>	<b>Maritime application</b>
---------------------------------------	-----------------------------



## Further information

### Information on the packaging

<https://support.industry.siemens.com/cs/ww/en/view/109813875>

### Information for data generation and storage

<https://support.industry.siemens.com/cs/ww/en/view/109995012>

### Information- and Downloadcenter (Catalogs, Brochures,...)

<https://www.siemens.com/lowvoltage/catalogs>

### Industry Mall (Online ordering system)

<https://mall.industry.siemens.com/mall/en/en/Catalog/product?mlfb=3LD2816-0TK53-0AG1>

### Service&Support (Manuals, Certificates, Characteristics, FAQs,...)

<https://support.industry.siemens.com/cs/ww/en/ps/3LD2816-0TK53-0AG1>

### Image database (product images, 2D dimension drawings, 3D models, device circuit diagrams, ...)

[https://www.automation.siemens.com/bilddb/cax\\_en.aspx?mlfb=3LD2816-0TK53-0AG1](https://www.automation.siemens.com/bilddb/cax_en.aspx?mlfb=3LD2816-0TK53-0AG1)

### CAX-Online-Generator

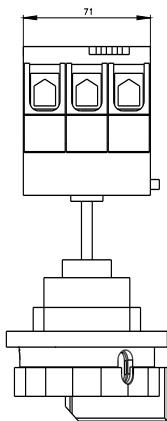
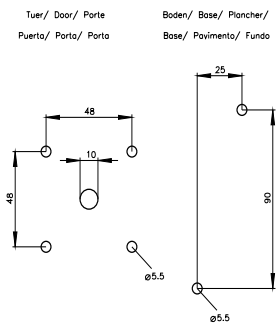
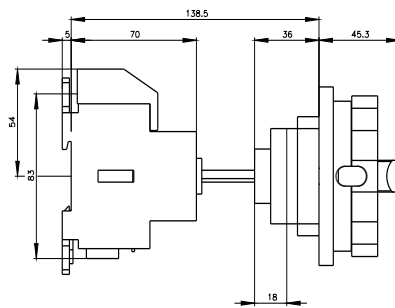
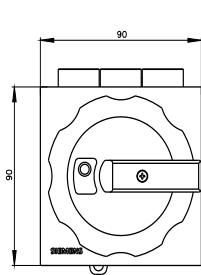
<https://www.siemens.com/cax>

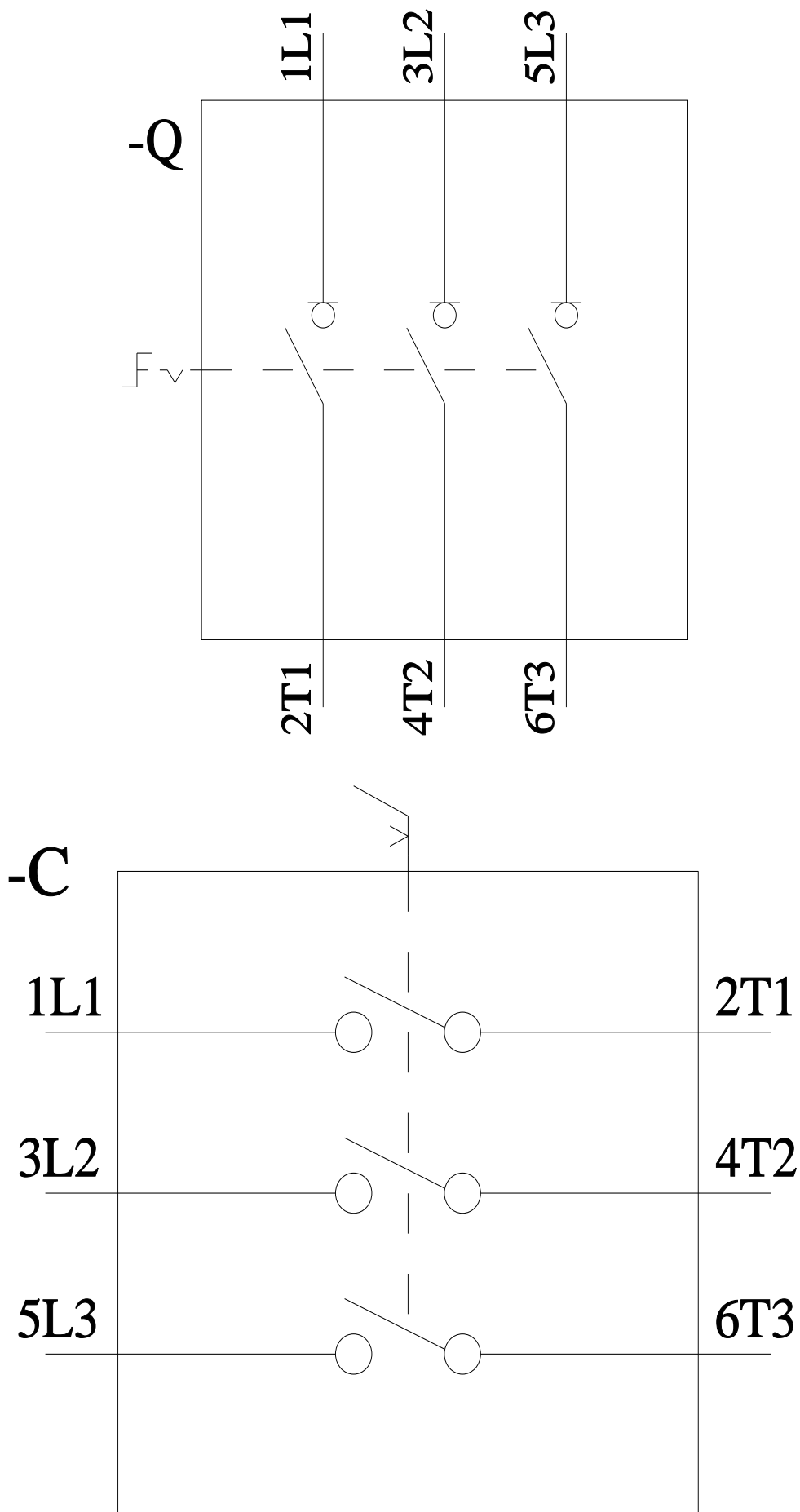
### Tender specifications

<https://www.siemens.com/specifications>

### Characteristic curves

[https://curves.simaris.siemens.com/curves/<mmp\\_prod\\_noCOMP="HAUPT"></mmp\\_prod\\_no>](https://curves.simaris.siemens.com/curves/<mmp_prod_noCOMP=)





last modified:

10/14/2025 