



SITOR fuse holder 400 A 690 V 1-pole with bolt terminal with fixing dimension 80 mm

Model	
product brand name	SENTRON
product designation	SITOR fuse holder
design of the product	LV HRC fuse base for screw fixing
design of the thread of the connection screw	M10
General technical data	
number of poles	1
utilization category	Without
Supply voltage	
supply voltage	
• at AC	690 V
• at DC	690 V
Product details	
product component swivel-in mechanism	No
Connections	
tightening torque with screw-type terminals maximum	10 N·m
type of electrical connection	for mounting on mounting plate
• for main current circuit	Stud terminal
Mechanical Design	
height	111.7 mm
width	36 mm
fastening method	fixed mounting
fastening method bus-mounting	No
Net Weight	350 g
Approvals Certificates	
Environment	

[Environmental Conformations](#)

Further information

Information on the packaging
<https://support.industry.siemens.com/cs/ww/en/view/109813875>
 Information for data generation and storage
<https://support.industry.siemens.com/cs/ww/en/view/109995012>
 Information- and Downloadcenter (Catalogs, Brochures,...)
<https://www.siemens.com/lowvoltage/catalogs>
 Industry Mall (Online ordering system)

<https://mall.industry.siemens.com/mall/en/en/Catalog/product?mlfb=3NH5323>

Service&Support (Manuals, Certificates, Characteristics, FAQs,...)

<https://support.industry.siemens.com/cs/ww/en/ps/3NH5323>

Image database (product images, 2D dimension drawings, 3D models, device circuit diagrams, ...)

https://www.automation.siemens.com/bilddb/cax_en.aspx?mlfb=3NH5323

CAX-Online-Generator

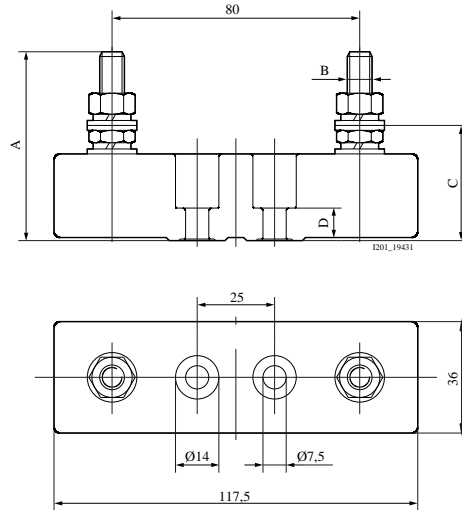
<https://www.siemens.com/cax>

Tender specifications

<https://www.siemens.com/specifications>

Characteristic curves

https://curves.simaris.siemens.com/curves/<mmp_prod_noCOMP='HAUPT'></mmp_prod_no>



Type	Dimensions			
	A	B	C	D
3NH5023	59	M8	35.5	11
3NH5323	64	M10	38	11

last modified:

1/15/2026

