



Position switch in compact design 30 mm wide with connector plug M12 Snap-action contacts 1 NO+1 NC with twist lever

|   |                              |
|---|------------------------------|
| product brand name  | SIRIUS                       |
| product designation   | Mechanical position switches |
| product type designation  | 3SE5                         |
| suitability for use safety switch                                 | Yes                          |
| <b>General technical data</b>                                     |                              |
| product function positive opening                                 | Yes                          |
| insulation voltage rated value                                    | 400 V                        |
| degree of pollution   | 3                            |
| surge voltage resistance rated value                              | 4 kV                         |
| protection class IP   | IP67                         |
| shock resistance  |                              |
| • according to IEC 60068-2-27                                     | 30 g / 11 ms                 |
| vibration resistance according to IEC 60068-2-6                   | 0.35 mm/5 g                  |
| mechanical service life (operating cycles) typical                | 5 000 000                    |
| electrical endurance (operating cycles) at AC-15 at 230 V typical | 100 000                      |
| thermal current   | 10 A                         |
| material of the enclosure of the switch head                      | metal                        |
| reference code according to IEC 81346-2                           | B                            |
| active principle  | mechanical                   |
| repeat accuracy   | 0.05 mm                      |
| Substance Prohibitance (Date)                                     | 07/01/2006                   |
| Net Weight  | 0.133 kg                     |
| minimum actuating torque in directions of actuation               | 0.2 N·m                      |
| length of the sensor  | 95 mm                        |
| width of the sensor   | 30 mm                        |
| <b>Ambient conditions</b>   |                              |
| ambient temperature   |                              |
| • during operation  | -25 ... +85 °C               |
| • during storage  | -25 ... +85 °C               |
| explosion protection category for dust                            | none                         |
| design of the switching contact                                   | mechanical                   |
| operating frequency rated value                                   | 50 ... 60 Hz                 |
| number of NC contacts for auxiliary contacts                      | 1                            |
| number of NO contacts for auxiliary contacts                      | 1                            |
| operational current at AC-15                                      |                              |
| • at 125 V rated value  | 6 A                          |
| • at 230 V rated value  | 3 A                          |
| operational current at DC-13                                      |                              |
| • at 125 V rated value  | 0.55 A                       |

• at 230 V rated value

0.27 A

#### Enclosure

|   |         |
|---|---------|
| design of the housing                       | block   |
| material of the enclosure                   | metal   |
| coating of the enclosure                    | painted |
| design of the housing according to standard | No      |

#### Drive Head

|   |   |
|---|---|
| design of the actuating element             | twist lever   |
| shape of the switch head                    | lever   |
| design of the switching function            | positive opening  |
| circuit principle                           | snap-action contacts  |
| number of switching contacts safety-related | 1   |
| design of plug-in connection                | M12 connector, 5-pole: pin 1= terminal BK, pin 2= BK/WH, pin 3= BU, pin 4= BN, pin 5= GN/YE |

#### Installation/ mounting/ dimensions

|                   |              |
|-------------------|--------------|
| mounting position | any          |
| fastening method  | screw fixing |

#### Connections/ Terminals

|  |                         |
|--|-------------------------|
| type of electrical connection                            | M12 plug, fixed, 5-pole |
| design of the interface for safety-related communication | without                 |

#### Communication/ Protocol

|                         |         |
|-------------------------|---------|
| design of the interface | without |
|-------------------------|---------|

#### Approvals Certificates

|                          |       |             |
|--------------------------|-------|-------------|
| General Product Approval | other | Environment |
|--------------------------|-------|-------------|



[Confirmation](#)

[Environmental Confirmations](#)

#### Further information

Information on the packaging

<https://support.industry.siemens.com/cs/ww/en/view/109813875>

Information for data generation and storage

<https://support.industry.siemens.com/cs/ww/en/view/109995012>

Information- and Downloadcenter (Catalogs, Brochures,...)

<https://www.siemens.com/ic10>

Industry Mall (Online ordering system)

<https://mall.industry.siemens.com/mall/en/en/Catalog/product?mlfb=3SE5413-0CN20-1EB1>

Cax online generator

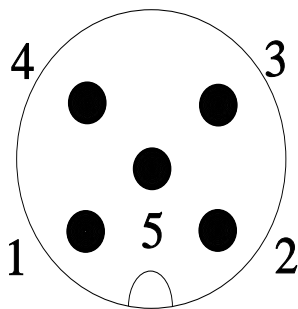
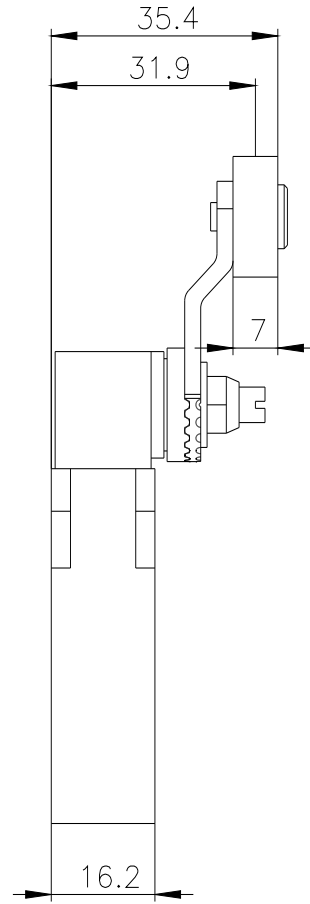
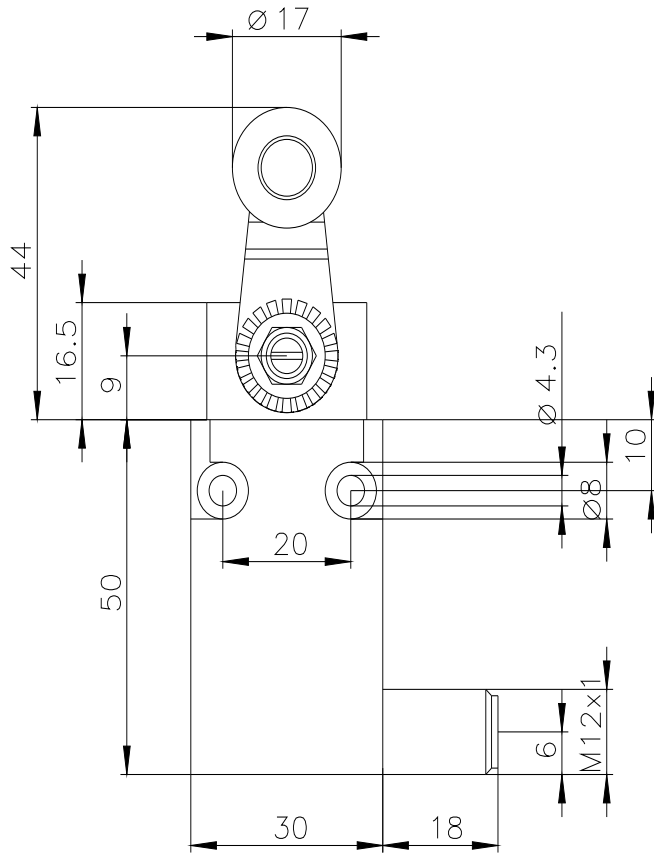
<https://support.automation.siemens.com/WW/CAXorder/default.aspx?lang=en&mlfb=3SE5413-0CN20-1EB1>

Service&Support (Manuals, Certificates, Characteristics, FAQs,...)

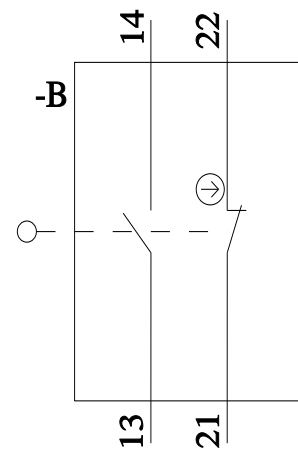
<https://support.industry.siemens.com/cs/ww/en/ps/3SE5413-0CN20-1EB1>

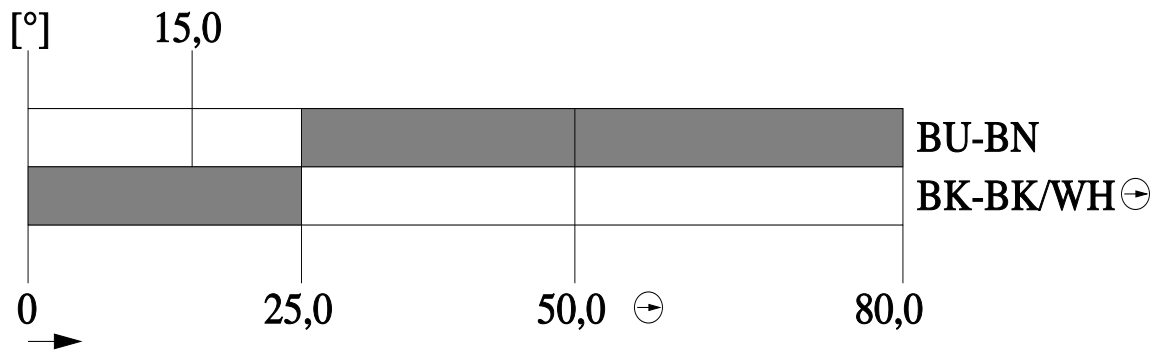
Image database (product images, 2D dimension drawings, 3D models, device circuit diagrams, EPLAN macros, ...)

[https://www.automation.siemens.com/bilddb/cax\\_de.aspx?mlfb=3SE5413-0CN20-1EB1&lang=en](https://www.automation.siemens.com/bilddb/cax_de.aspx?mlfb=3SE5413-0CN20-1EB1&lang=en)



|   |   |    |
|---|---|----|
| 1 | → | 22 |
| 2 | → | 21 |
| 3 | → | 14 |
| 4 | → | 13 |
| 5 | → | PE |





last modified:

4/4/2026 