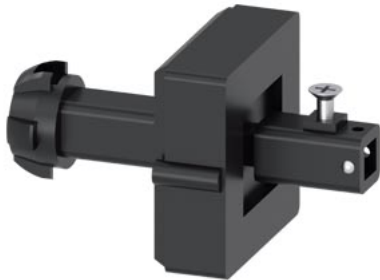


Coupling tolerance compensation 8x 8 mm Accessory for: Door-coupling rotary operating mechanism Shaft 8x 8 mm, 3VA, 3RV, 3LD5 UL, 3KD



Model	
product brand name	SETRON
product designation	mounting tolerance compensation
size of cross-section of the shaft of door-coupling rotary operating mechanism	8x8 mm
suitability for use	for shaft 8x 8 mm, 3VA, 3VM, 3KX, 3RV door mounted rotary operator
Product details	
product component	
• extension shaft	No
Accessories	
accessories	Mounting tolerance compensation
Mechanical Design	
height	50 mm
width	55.6 mm
depth	85.4 mm
Net Weight	61 g
Approvals Certificates	
Environment	General Product Approval

[Environmental Confirmations](#)



Maritime application



### Further information

- Information on the packaging  
<https://support.industry.siemens.com/cs/ww/en/view/109813875>
- Information for data generation and storage  
<https://support.industry.siemens.com/cs/ww/en/view/109995012>
- Information- and Downloadcenter (Catalogs, Brochures,...)  
<https://www.siemens.com/lowvoltage/catalogs>
- Industry Mall (Online ordering system)  
<https://mall.industry.siemens.com/mall/en/en/Catalog/product?mlfb=8UD1900-2GA00>
- Service&Support (Manuals, Certificates, Characteristics, FAQs,...)

<https://support.industry.siemens.com/cs/ww/en/ps/8UD1900-2GA00>

Image database (product images, 2D dimension drawings, 3D models, device circuit diagrams, ...)

[https://www.automation.siemens.com/bilddb/cax\\_en.aspx?mlfb=8UD1900-2GA00](https://www.automation.siemens.com/bilddb/cax_en.aspx?mlfb=8UD1900-2GA00)

CAX-Online-Generator

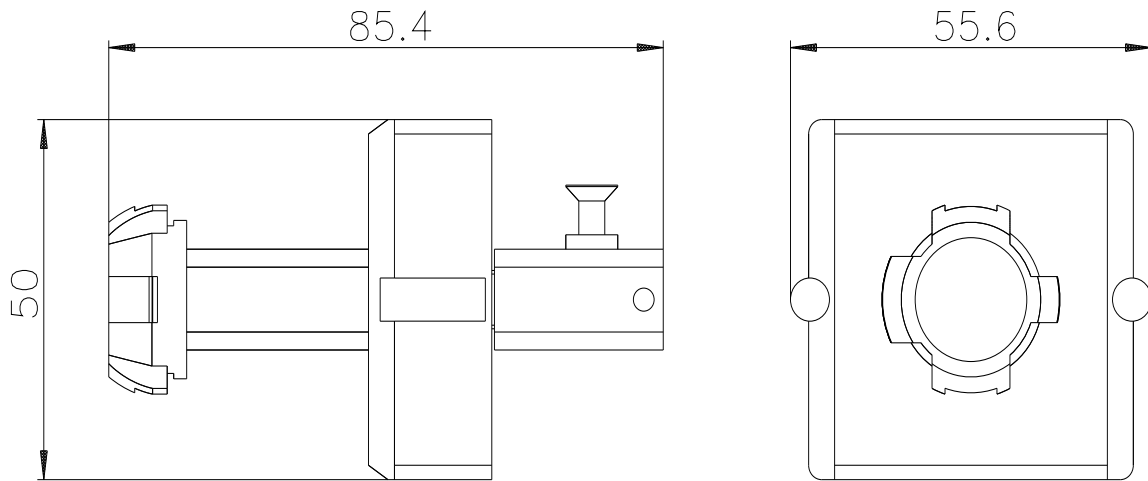
<https://www.siemens.com/cax>

Tender specifications

<https://www.siemens.com/specifications>

Characteristic curves

[https://curves.simaris.siemens.com/curves/<mmp\\_prod\\_noCOMP='HAUPT'></mmp\\_prod\\_no>](https://curves.simaris.siemens.com/curves/<mmp_prod_noCOMP='HAUPT'></mmp_prod_no>)



---

last modified:

5/24/2025 

