



accessories for 3KC0 size 5, terminal covers, side plate covers, for 3KC0 size 5, 3 and 4-pole, 2 units

Model		
product brand name	SENTRON	
product designation	Accessories for transfer switching equipment	
design of the product	Terminal covers, side panel covers	
Suitability		
suitability for use	for 3KC0 MTSE, size 5	
Product details		
product description	contains 2 units	
Mechanical Design		
height	134 mm	
width	28.5 mm	
depth	5 mm	
Net Weight	111 g	
Approvals Certificates		
Environment	General Product Approval	Maritime application

[Environmental Confirmations](#)



[Miscellaneous](#)



### Further information

Information on the packaging

<https://support.industry.siemens.com/cs/ww/en/view/109813875>

Information for data generation and storage

<https://support.industry.siemens.com/cs/ww/en/view/109995012>

Information- and Downloadcenter (Catalogs, Brochures,...)

<https://www.siemens.com/lowvoltage/catalogs>

Industry Mall (Online ordering system)

<https://mall.industry.siemens.com/mall/en/en/Catalog/product?mlfb=3KC9504-0>

Service&Support (Manuals, Certificates, Characteristics, FAQs,...)

<https://support.industry.siemens.com/cs/ww/en/ps/3KC9504-0>

Image database (product images, 2D dimension drawings, 3D models, device circuit diagrams, ...)

[https://www.automation.siemens.com/bilddb/cax\\_en.aspx?mlfb=3KC9504-0](https://www.automation.siemens.com/bilddb/cax_en.aspx?mlfb=3KC9504-0)

CAX-Online-Generator

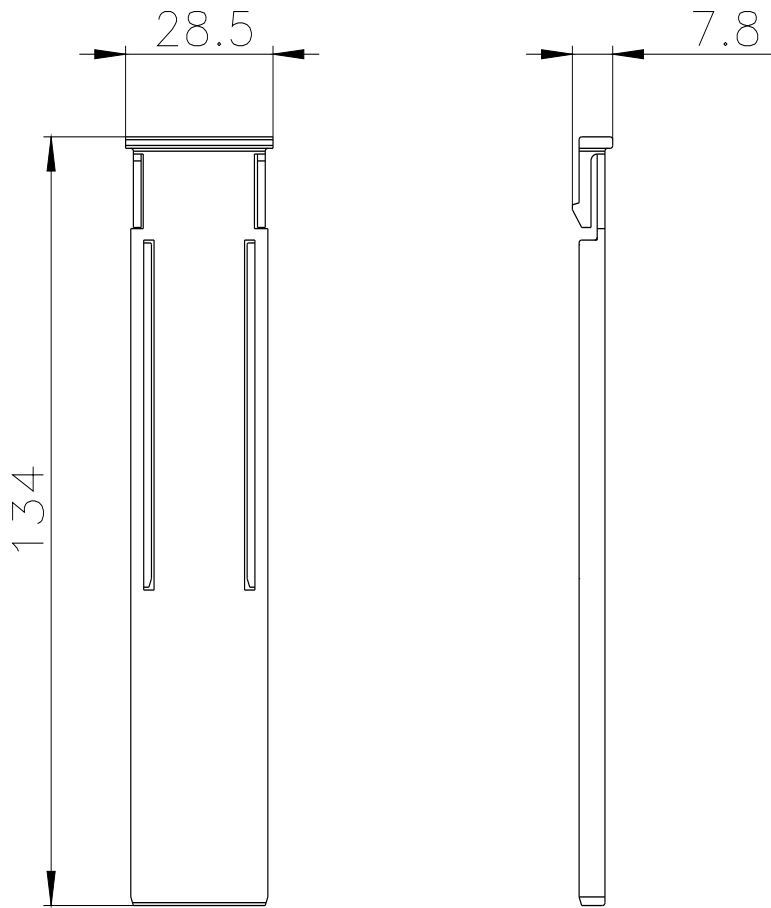
<https://www.siemens.com/cax>

Tender specifications

<https://www.siemens.com/specifications>

Characteristic curves

[https://curves.simaris.siemens.com/curves/<mmp\\_prod\\_noCOMP="HAUPT"></mmp\\_prod\\_no>](https://curves.simaris.siemens.com/curves/<mmp_prod_noCOMP=)



---

last modified:

4/3/2025 