



Cable connection cover, for Size NH00 with screw terminal, accessory for fuse switch disconnecter 3NP1



Model	
product brand name	SENTRON
product designation	terminal cover.
design of the product	accessories for 3NP1 fuse switch disconnectors
suitability for use	for 3NP1, 3-pole, NH00, with flat connector

Accessories	
accessories	for size NH00 with screw terminals

Mechanical Design	
Net Weight	63 g

Approvals Certificates	
Environment	General Product Approval

[Environmental Con-  
firmations](#)

[Environmental Con-  
firmations](#)



EG-Konf.



UR

[Miscellaneous](#)

General Product Ap- proval	Test Certificates	Maritime application	other
-------------------------------	-------------------	----------------------	-------



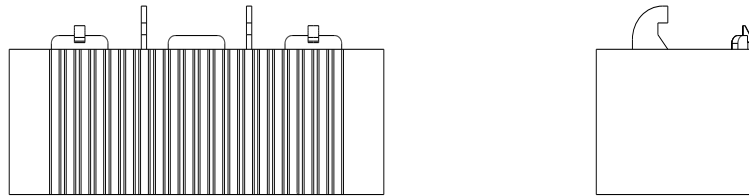
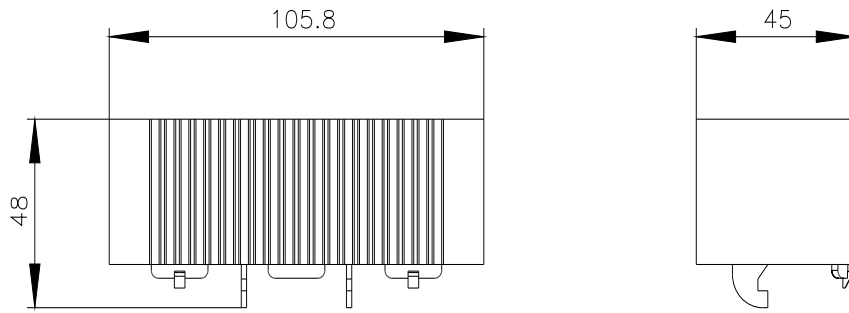
[Type Test Certi-  
ficates/Test Report](#)



[Confirmation](#)

### Further information

- Information on the packaging  
<https://support.industry.siemens.com/cs/ww/en/view/109813875>
- Information for data generation and storage  
<https://support.industry.siemens.com/cs/ww/en/view/109995012>
- Information- and Downloadcenter (Catalogs, Brochures,...)  
<https://www.siemens.com/lowvoltage/catalogs>
- Industry Mall (Online ordering system)  
<https://mall.industry.siemens.com/mall/en/en/Catalog/product?mlfb=3NP1933-1CB00>
- Service&Support (Manuals, Certificates, Characteristics, FAQs,...)  
<https://support.industry.siemens.com/cs/ww/en/ps/3NP1933-1CB00>
- Image database (product images, 2D dimension drawings, 3D models, device circuit diagrams, ...)  
[https://www.automation.siemens.com/bilddb/cax\\_en.aspx?mlfb=3NP1933-1CB00](https://www.automation.siemens.com/bilddb/cax_en.aspx?mlfb=3NP1933-1CB00)
- CAx-Online-Generator  
<https://www.siemens.com/cax>
- Tender specifications  
<https://www.siemens.com/specifications>
- Characteristic curves



last modified:

4/12/2025 

