



fuse carrier with EFM15, for size NH000 1-pole, 24 - 230 V AC / 24 - 250 V DC
accessory for fuse switch disconnecter 3NP1

Model		
product brand name	SETRON	
product designation	Fuse carrier EFM15	
design of the product	accessories for 3NP1 fuse switch disconnectors	
suitability for use	spare part, for 3NP1, 1-pole, NH000	
Accessories		
accessories	Fuse carrier EFM15	
Mechanical Design		
Net Weight	180 g	
Approvals Certificates		
Environment	General Product Approval	Maritime application

[Environmental Con-
firmations](#)



[Environmental Con-
firmations](#)

[Miscellaneous](#)



Further information

Information on the packaging

<https://support.industry.siemens.com/cs/ww/en/view/109813875>

Information for data generation and storage

<https://support.industry.siemens.com/cs/ww/en/view/109995012>

Information- and Downloadcenter (Catalogs, Brochures,...)

<https://www.siemens.com/lowvoltage/catalogs>

Industry Mall (Online ordering system)

<https://mall.industry.siemens.com/mall/en/en/Catalog/product?mlfb=3NP1921-1GB43>

Service&Support (Manuals, Certificates, Characteristics, FAQs,...)

<https://support.industry.siemens.com/cs/ww/en/ps/3NP1921-1GB43>

Image database (product images, 2D dimension drawings, 3D models, device circuit diagrams, ...)

https://www.automation.siemens.com/bilddb/cax_en.aspx?mlfb=3NP1921-1GB43

CAX-Online-Generator

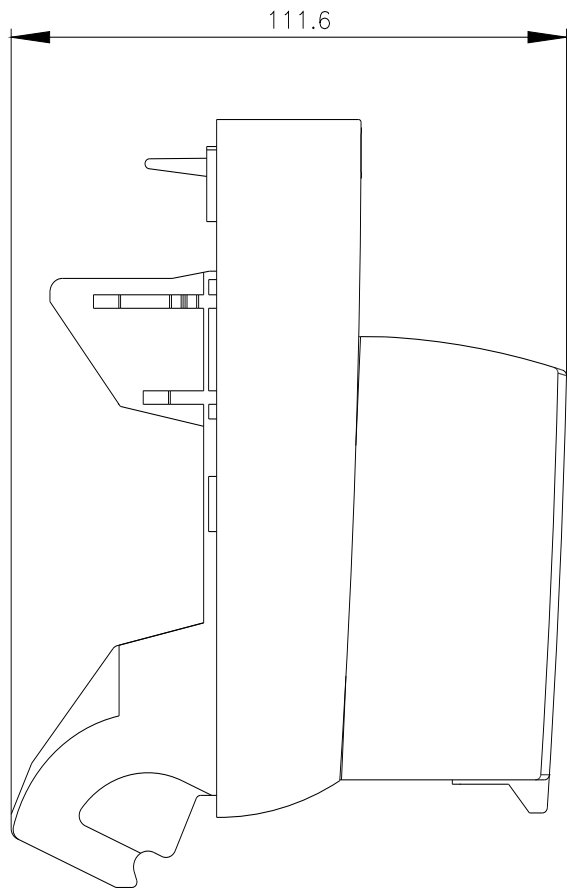
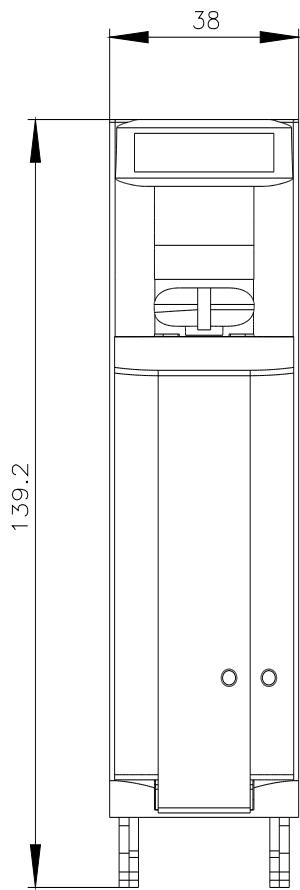
<https://www.siemens.com/cax>

Tender specifications

<https://www.siemens.com/specifications>

Characteristic curves

[https://curves.simaris.siemens.com/curves/<mmp_prod_noCOMP="HAUPT"></mmp_prod_no>](https://curves.simaris.siemens.com/curves/<mmp_prod_noCOMP=)



last modified:

4/12/2025 

