



LED module with integrated LED 110 V AC, yellow, screw terminal, for front plate mounting

| | |
|--|---|
| product brand name | SIRIUS ACT |
| product designation | LED module |
| product type designation | 3SU1 |
| General technical data | |
| product component | |
| • diode | Yes |
| • lamp transformer | No |
| • light source | Yes |
| • series resistor | No |
| insulation voltage rated value | 320 V |
| degree of pollution | 3 |
| type of voltage of the operating voltage | AC |
| • for actuation | AC |
| surge voltage resistance rated value | 4 kV |
| consumed current maximum | 20 mA |
| protection class IP | |
| • of the enclosure | IP40 |
| • of the terminal | IP20 |
| shock resistance | |
| • according to IEC 60068-2-27 | sinusoidal half-wave 15 g / 11 ms |
| • for railway applications according to EN 61373 | Category 1, Class B |
| vibration resistance | |
| • according to IEC 60068-2-6 | 10 ... 500 Hz: 5 g |
| • for railway applications according to EN 61373 | Category 1, Class B |
| operating period typical | 100 000 h |
| reference code according to IEC 81346-2 | P |
| Substance Prohibitance (Date) | 10/01/2014 |
| SVHC substance name | Lead monoxide (lead oxide) CAS-No. 1317-36-8 2-methyl-1-(4-methylthiophenyl)-2-morpholinopropan-1-one CAS-No. 71868-10-5 |
| Net Weight | 7 g |
| operating voltage 1 | |
| • at AC | |
| — at 50 Hz rated value | 110 V |
| — at 60 Hz rated value | 110 V |
| relative positive tolerance of the operating voltage | 20 % |
| relative negative tolerance of the operating voltage | 20 % |

Control circuit/ Control

| | |
|-------------------------------|-----|
| inrush current maximum | 3 A |
|-------------------------------|-----|

Connections/ Terminals

| | |
|--|---|
| type of electrical connection | screw terminal |
| type of connectable conductor cross-sections | |
| <ul style="list-style-type: none"> • solid with core end processing • solid without core end processing • finely stranded with core end processing • finely stranded without core end processing • for AWG cables | 2x (0.5 ... 0.75 mm ²) 2x (1.0 ... 1.5 mm ²) 2x (0.5 ... 1.5 mm ²) 2x (1.0 ... 1.5 mm ²) 2x (18 ... 14) |
| connectable conductor cross-section finely stranded with core end processing | 0.5 ... 1.5 mm ² |
| tightening torque with screw-type terminals | 0.8 ... 0.9 N·m |

Lamp

| | |
|----------------------------------|-------------------|
| type of light source | LED |
| color of the light source | yellow |
| light intensity | 900 ... 1 400 mcd |

ATEX

| | |
|---|----------|
| certificate of suitability | |
| <ul style="list-style-type: none"> • ATEX • IECEx | No No |

Ambient conditions

| | |
|--|--|
| ambient temperature | |
| <ul style="list-style-type: none"> • during operation • during storage | -25 ... +70 °C -40 ... +80 °C |
| environmental category during operation according to IEC 60721 | 3M6, 3S2, 3B2, 3C3, 3K6 (with relative air humidity of 10 ... 95%, no condensation in operation permitted) |

Installation/ mounting/ dimensions

| | |
|--|----------------------|
| fastening method | |
| <ul style="list-style-type: none"> • of modules and accessories | Front plate mounting |
| height | 33.2 mm |
| width | 9.8 mm |
| depth | 29.4 mm |

Approvals Certificates

| | |
|--|--|
| Environmental Product Declaration | |
| <ul style="list-style-type: none"> • global warming potential [CO2 eq] / during manufacturing • global warming potential [CO2 eq] / during operation • global warming potential [CO2 eq] / after end of life • global warming potential [CO2 eq] / total | 0.566 kg 0.235 kg -0.0145 kg 0.787 kg |

Environment

General Product Approval

[Environmental Conformations](#)



Maritime application

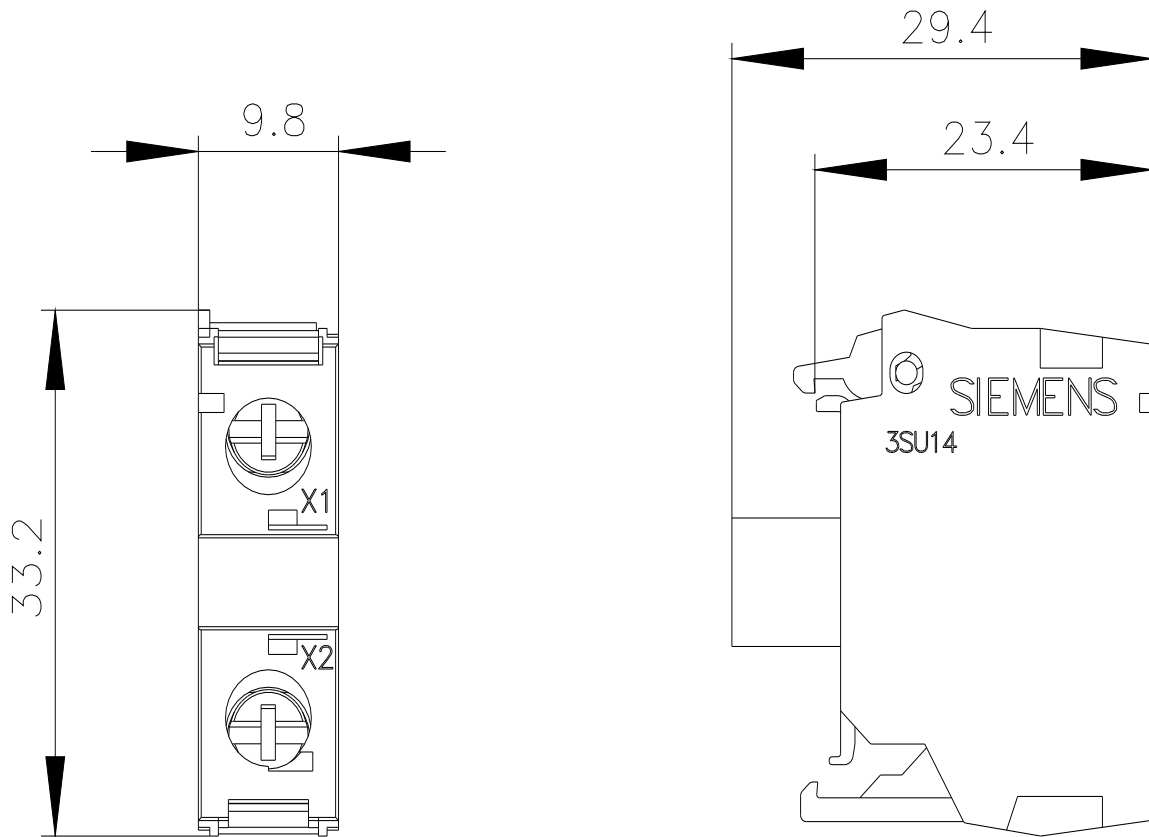
other



[Confirmation](#)

Further information

Information on the packaging
<https://support.industry.siemens.com/cs/ww/en/view/109813875>
 Information for data generation and storage
<https://support.industry.siemens.com/cs/ww/en/view/109995012>
 Information- and Downloadcenter (Catalogs, Brochures,...)
<https://www.siemens.com/ic10>
 Industry Mall (Online ordering system)





last modified:

4/4/2026 