



LED module w. indicator lights With integrated LED 24 V DC, red-yellow-green, screw terminal, for front plate mounting

| | |
|--|--|
| product brand name | SIRIUS ACT |
| product designation | LED module |
| product type designation | 3SU1 |
| General technical data | |
| product component | |
| • diode | Yes |
| • lamp transformer | No |
| • light source | Yes |
| • series resistor | No |
| insulation voltage rated value | 320 V |
| degree of pollution | 3 |
| type of voltage of the operating voltage | AC/DC |
| • for actuation | AC/DC |
| surge voltage resistance rated value | 4 kV |
| consumed current maximum | 25 mA |
| protection class IP | |
| • of the enclosure | IP40 |
| • of the terminal | IP20, clamping screw tightened |
| shock resistance | |
| • according to IEC 60068-2-27 | sinusoidal half-wave 15 g / 11 ms |
| • for railway applications according to EN 61373 | Category 1, Class B |
| vibration resistance | |
| • according to IEC 60068-2-6 | 10 ... 500 Hz: 5 g |
| • for railway applications according to EN 61373 | Category 1, Class B |
| operating period typical | 100 000 h |
| reference code according to IEC 81346-2 | P |
| Substance Prohibitance (Date) | 10/01/2014 |
| SVHC substance name | Lead monoxide (lead oxide) CAS-No. 1317-36-8 2-(2H-benzotriazol-2-yl)-4-(1,1,3,3-tetramethylbutyl)phenol (UV-329) CAS-No. 3147-75-9 2-methyl-1-(4-methylthiophenyl)-2-morpholinopropan-1-one CAS-No. 71868-10-5 Melamine CAS-No. 108-78-1 |
| Net Weight | 16 g |
| operating voltage 1 | |
| • at AC | |
| — at 50 Hz rated value | 24 V |

| | | |
|--|---|-----------------------------|
| • at DC rated value | 24 V | |
| relative positive tolerance of the operating voltage | 20 % | |
| relative negative tolerance of the operating voltage | 10 % | |
| Control circuit/ Control | | |
| inrush current maximum | 2 A | |
| Connections/ Terminals | | |
| type of electrical connection | screw terminal | |
| type of connectable conductor cross-sections | | |
| • solid with core end processing | 2x (0.5 ... 0.75 mm ²) | |
| • solid without core end processing | 2x (1.0 ... 1.5 mm ²) | |
| • finely stranded with core end processing | 2x (0.5 ... 1.5 mm ²) | |
| • finely stranded without core end processing | 2x (1,0 ... 1,5 mm ²) | |
| • for AWG cables | 2x (18 ... 14) | |
| connectable conductor cross-section finely stranded with core end processing | 0.5 ... 1.5 mm ² | |
| tightening torque with screw-type terminals | 0.8 ... 0.9 N·m | |
| Lamp | | |
| type of light source | LED | |
| color of the light source | red/yellow/ green | |
| ATEX | | |
| certificate of suitability | | |
| • ATEX | No | |
| • IECEx | No | |
| Ambient conditions | | |
| ambient temperature | | |
| • during operation | -25 ... +70 °C | |
| • during storage | -40 ... +80 °C | |
| environmental category during operation according to IEC 60721 | 3M6, 3S2, 3B2, 3K6 (with relative air humidity of 10 ... 95%, no condensation in operation permitted) | |
| Installation/ mounting/ dimensions | | |
| fastening method | | |
| • of modules and accessories | Front plate mounting | |
| height | 36 mm | |
| width | 9.8 mm | |
| depth | 49.7 mm | |
| Approvals Certificates | | |
| Environmental Product Declaration | | |
| • global warming potential [CO ₂ eq] / during manufacturing | 0.566 kg | |
| • global warming potential [CO ₂ eq] / during operation | 0.235 kg | |
| • global warming potential [CO ₂ eq] / after end of life | -0.0145 kg | |
| • global warming potential [CO ₂ eq] / total | 0.787 kg | |
| Environment | General Product Approval | Maritime application |

[Environmental Confirmations](#)



Maritime application

other



[Confirmation](#)

Further information

Information on the packaging

<https://support.industry.siemens.com/cs/ww/en/view/109813875>

Information for data generation and storage

<https://support.industry.siemens.com/cs/ww/en/view/109995012>

Information- and Downloadcenter (Catalogs, Brochures,...)

<https://www.siemens.com/ic10>

Industry Mall (Online ordering system)

<https://mall.industry.siemens.com/mall/en/en/Catalog/product?mlfb=3SU1401-1BB24-1AA0>

Cax online generator

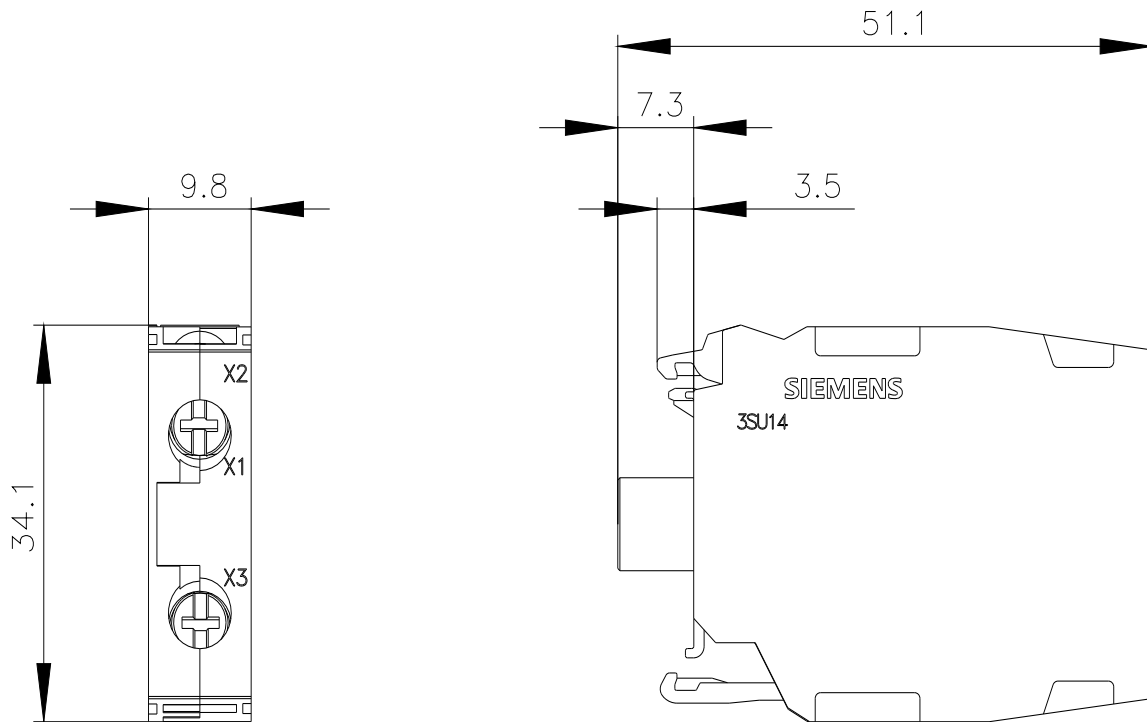
<https://support.automation.siemens.com/WW/CAXorder/default.aspx?lang=en&mlfb=3SU1401-1BB24-1AA0>

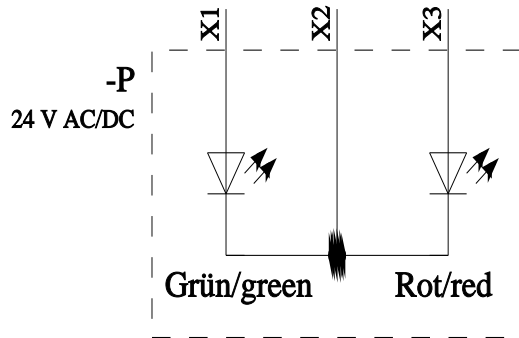
Service&Support (Manuals, Certificates, Characteristics, FAQs,...)

<https://support.industry.siemens.com/cs/ww/en/ps/3SU1401-1BB24-1AA0>

Image database (product images, 2D dimension drawings, 3D models, device circuit diagrams, EPLAN macros, ...)

https://www.automation.siemens.com/bilddb/cax_de.aspx?mlfb=3SU1401-1BB24-1AA0&lang=en





| X1 | X2 | X3 | Farbe/color |
|----|----|----|-------------|
| X | X | | Grün/green |
| | X | X | Rot/red |
| X | X | X | Gelb/yellow |

last modified:

4/4/2026 