

Door-coupling 8x 8 mm Accessory for: Shaft 8x 8 mm, 3VA, 3VM, 3KX, 3RV, 3LD5
UL Door-coupling rotary operating mechanism, 3KD



Model	
product brand name	SETRON
product designation	door coupling
design of the product	size 10x 10
size of cross-section of the shaft of door-coupling rotary operating mechanism	8x8 mm
suitability for use	for shaft 8x 8 mm, 3VA, 3VM, 3KX, 3RV door mounted rotary operator
Product details	
product description	without lighting
product component	
• extension shaft	No
Accessories	
accessories	Door coupling
Mechanical Design	
height	26.2 mm
width	27.4 mm
depth	40 mm
Net Weight	16 g
Approvals Certificates	
Environment	General Product Approval

[Environmental Confirmations](#)



Maritime application



Further information

Information on the packaging
<https://support.industry.siemens.com/cs/ww/en/view/109813875>
 Information for data generation and storage
<https://support.industry.siemens.com/cs/ww/en/view/109995012>
 Information- and Downloadcenter (Catalogs, Brochures,...)
<https://www.siemens.com/lowvoltage/catalogs>
 Industry Mall (Online ordering system)

<https://mall.industry.siemens.com/mall/en/en/Catalog/product?mlfb=8UD1900-2HA00>

Service&Support (Manuals, Certificates, Characteristics, FAQs,...)

<https://support.industry.siemens.com/cs/ww/en/ps/8UD1900-2HA00>

Image database (product images, 2D dimension drawings, 3D models, device circuit diagrams, ...)

https://www.automation.siemens.com/bilddb/cax_en.aspx?mlfb=8UD1900-2HA00

CAX-Online-Generator

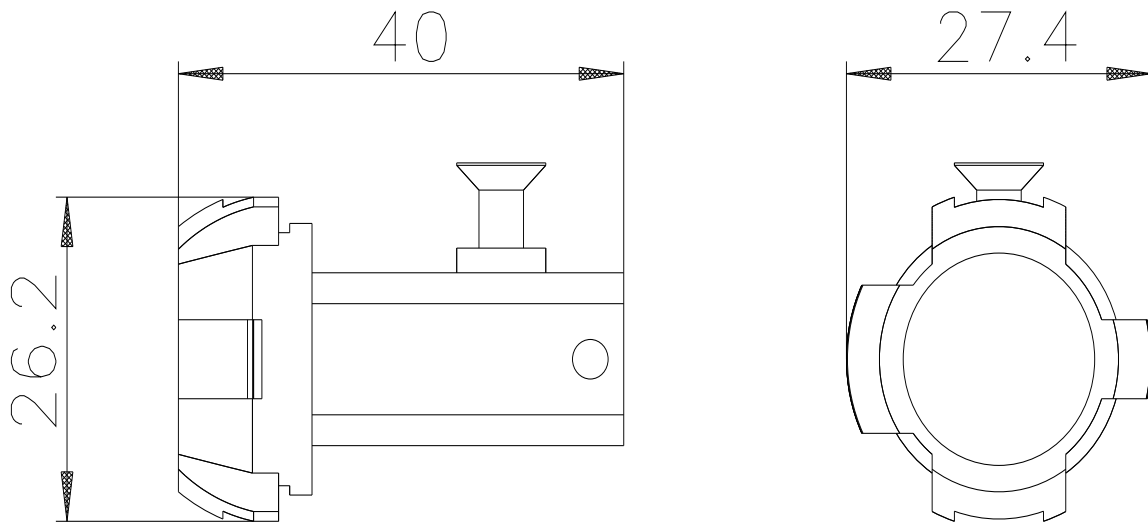
<https://www.siemens.com/cax>

Tender specifications

<https://www.siemens.com/specifications>

Characteristic curves

https://curves.simaris.siemens.com/curves/<mmp_prod_noCOMP='HAUPT'></mmp_prod_no>



last modified:

4/6/2025 

