

handle with masking plate standard size 100 x 100, for shaft 8 x 8, test-0-I handle size 100mm accessory for 3KD size 3 3KF size 2 and 3



Model	
product brand name	SETRON
product designation	handle with masking plate
design of the product	standard
design of handle	Gray
design of the door lock system	Door interlocking
size of cross-section of the shaft of door-coupling rotary operating mechanism	8x8 mm
size format of the masking frame of door-coupling rotary operating mechanism	100x 100 mm
length of handle	100 mm
protection class IP	IP65
suitability for use	for 3KD size 3, 3KF size 2 and 3

Product details	
product description	without lighting
product feature interlock	Yes
product component	
• extension shaft	No
• handle for emergency-OFF function	No
product feature lockable	Yes

Accessories	
accessories	Handle with masking frame
display version for switch position indicator	test-0-I

Mechanical Design	
height	198 mm
width	195 mm
depth	105 mm
Net Weight	630 g

Approvals Certificates		
Environment	General Product Approval	Maritime application

[Environmental Conformations](#)



Further information
Information on the packaging https://support.industry.siemens.com/cs/ww/en/view/109813875
Information for data generation and storage

<https://support.industry.siemens.com/cs/ww/en/view/109995012>

Information- and Downloadcenter (Catalogs, Brochures,...)

<https://www.siemens.com/lowvoltage/catalogs>

Industry Mall (Online ordering system)

<https://mall.industry.siemens.com/mall/en/en/Catalog/product?mlfb=8UD1841-2AF01>

Service&Support (Manuals, Certificates, Characteristics, FAQs,...)

<https://support.industry.siemens.com/cs/ww/en/ps/8UD1841-2AF01>

Image database (product images, 2D dimension drawings, 3D models, device circuit diagrams, ...)

https://www.automation.siemens.com/bilddb/cax_en.aspx?mlfb=8UD1841-2AF01

CAx-Online-Generator

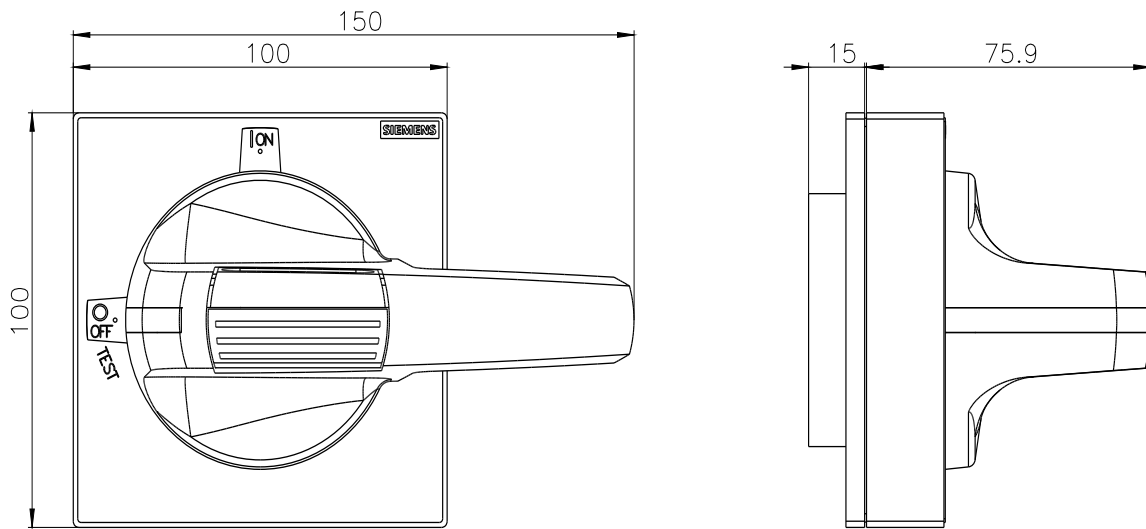
<https://www.siemens.com/cax>

Tender specifications

<https://www.siemens.com/specifications>

Characteristic curves

[https://curves.simaris.siemens.com/curves/<mmp_prod_noCOMP="HAUPT"></mmp_prod_no>](https://curves.simaris.siemens.com/curves/<mmp_prod_noCOMP=)



last modified:

4/4/2025

