



DELTA device insert Antenna through-type/end box also for broadband

Model		
product brand name	DELTA	
product designation	Insert	
design of the product	Aerial through-way boxes/terminal boxes	
type of antenna outlet	feed-through socket	
General technical data		
coupling attenuation at 2150 MHz	15 dB	
coupling attenuation at 860 MHz	15 dB	
transmission loss at 2150 MHz	1.5 dB	
transmission loss at 860 MHz	1.5 dB	
protection class IP	IP00	
Main circuit		
operating frequency rated value		
• minimum	2 400 MHz	
• maximum	2 400 MHz	
Suitability		
suitability for interaction cable modem	No	
Product details		
product component cover	No	
Product function		
product function remote supply	No	
Number		
number of electrical connections	2	
Mechanical Design		
height	70 mm	
width	70 mm	
Net Weight	119 g	
Approvals Certificates		
Environment	General Product Approval	other

[Environmental Conformations](#)

[Confirmation](#)



[Confirmation](#)

Further information

Information on the packaging

<https://support.industry.siemens.com/cs/ww/en/view/109813875>

Information for data generation and storage

<https://support.industry.siemens.com/cs/ww/en/view/109995012>

Information- and Downloadcenter (Catalogs, Brochures,...)

<https://www.siemens.com/lowvoltage/catalogs>

Industry Mall (Online ordering system)

<https://mall.industry.siemens.com/mall/en/en/Catalog/product?mlfb=5TG2484>

Service&Support (Manuals, Certificates, Characteristics, FAQs,...)

<https://support.industry.siemens.com/cs/ww/en/ps/5TG2484>

Image database (product images, 2D dimension drawings, 3D models, device circuit diagrams, ...)

https://www.automation.siemens.com/bilddb/cax_en.aspx?mlfb=5TG2484

CAX-Online-Generator

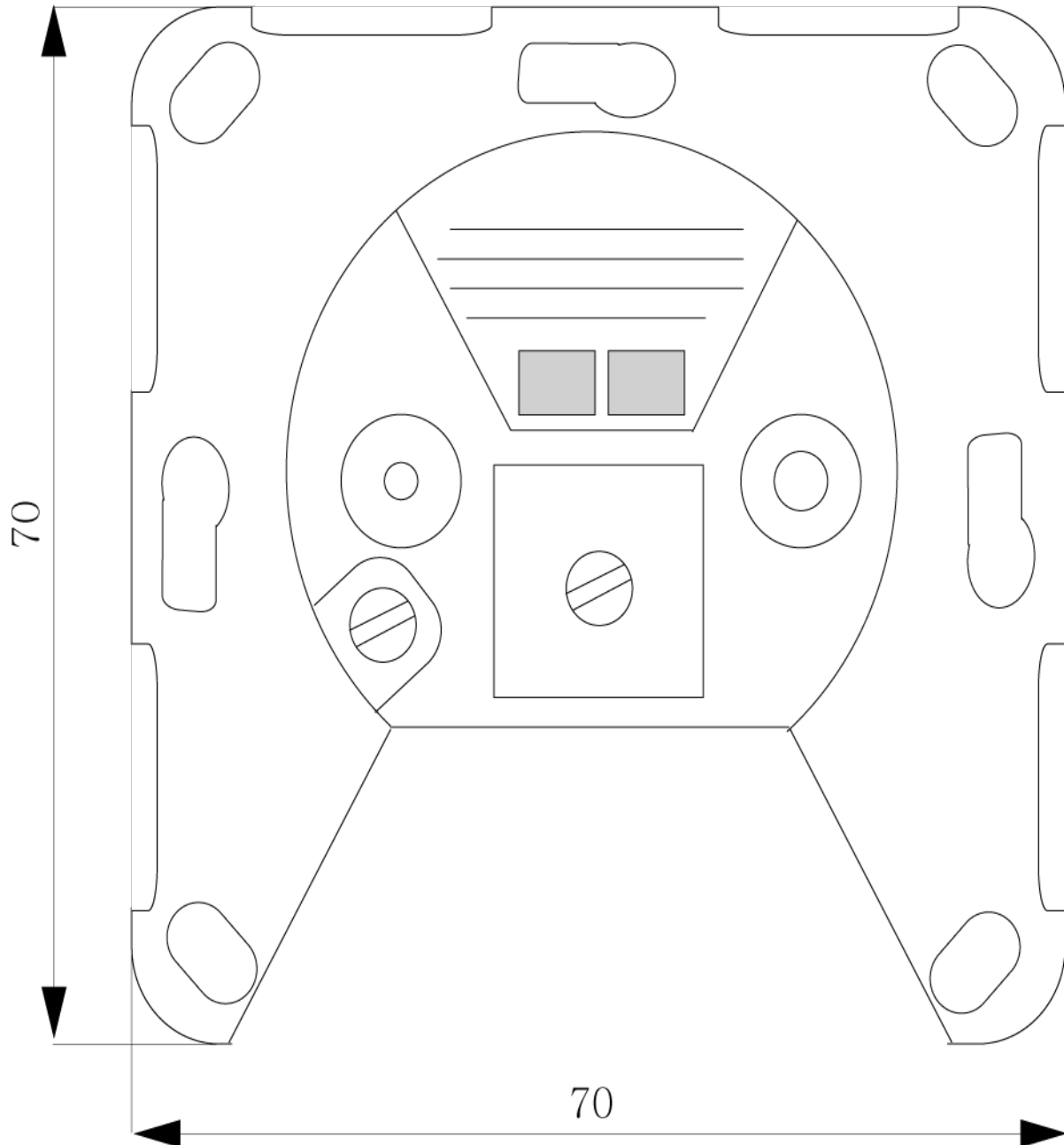
<https://www.siemens.com/cax>

Tender specifications

<https://www.siemens.com/specifications>

Characteristic curves

https://curves.simaris.siemens.com/curves/<mmp_prod_noCOMP='HAUPT'></mmp_prod_no>



last modified:

9/6/2025

