



Safety position switch with separate actuator Metal enclosure, 56 mm Device connection 3x (M20x 1.5) Slow-action contacts 1 NO/2 NC 5 directions of approaches The matching separate actuator 3SE5000-0AV0. must be ordered separately

product brand name	SIRIUS
product designation	Mechanical safety switches
product type designation	3SE5
manufacturer's article number	3SE5000-0AV01 standard actuator, 3SE5000-0AV02 actuator with vertical mounting, 3SE5000-0AV03 actuator with horizontal mounting, 3SE5000-0AV04 radius actuator left, 3SE5000-0AV05 universal actuator, 3SE5000-0AV06 radius actuator right, 3SE5000-0AV07 heavy-duty actuator, 3SE5000-0AW11 plastic actuator, 3SE5000-0AW21 stainless steel actuator
<ul style="list-style-type: none"> of the optional actuators 	
suitability for use safety switch	Yes
General technical data	
product function positive opening	Yes
insulation voltage rated value	400 V
degree of pollution	class 3
surge voltage resistance rated value	6 kV
protection class IP	IP66/IP67
shock resistance	30 g / 11 ms
<ul style="list-style-type: none"> according to IEC 60068-2-27 	
vibration resistance according to IEC 60068-2-6	0.35 mm/5 g
mechanical service life (operating cycles) typical	1 000 000
electrical endurance (operating cycles) at AC-15 at 230 V typical	100 000
thermal current	10 A
material of the enclosure of the switch head	metal
reference code according to IEC 81346-2	B
continuous current of the C characteristic MCB	1 A; for a short-circuit current smaller than 400 A
continuous current of the quick DIAZED fuse link	10 A; for a short-circuit current smaller than 400 A
continuous current of the DIAZED fuse link gG	6 A; for a short-circuit current smaller than 400 A
active principle	mechanical
repeat accuracy	0.05 mm
Substance Prohibitance (Date)	07/01/2006
SVHC substance name	Imidazolidine-2-thione (2-imidazoline-2-thiol) CAS-No. 96-45-7
Net Weight	0.533 kg
minimum actuating force in directions of actuation	20 N
length of the sensor	110 mm
width of the sensor	56 mm
Ambient conditions	
ambient temperature	-25 ... +85 °C
<ul style="list-style-type: none"> during operation 	
<ul style="list-style-type: none"> during storage 	-40 ... +90 °C
explosion protection category for dust	none

Main circuit		
design of the switching contact	mechanical	
operating frequency rated value	50 ... 60 Hz	
number of NC contacts for auxiliary contacts	2	
number of NO contacts for auxiliary contacts	1	
operational current at AC-15		
• at 24 V rated value	6 A	
• at 120 V rated value	6 A	
• at 240 V rated value	4 A	
• at 400 V rated value	4 A	
operational current at DC-13		
• at 24 V rated value	3 A	
• at 125 V rated value	0.55 A	
• at 250 V rated value	0.27 A	
• at 400 V rated value	0.12 A	
Enclosure		
design of the housing	block, wide	
material of the enclosure	metal	
coating of the enclosure	cathodic dip coating	
design of the housing according to standard	No	
Drive Head		
design of the actuating element	without	
design of the switching function	positive opening	
circuit principle	slow-action contacts	
number of switching contacts safety-related	2	
cable entry type	3x (M20 x 1.5)	
Installation/ mounting/ dimensions		
mounting position	any	
fastening method	screw fixing	
Connections/ Terminals		
type of electrical connection	screw terminal	
type of connectable conductor cross-sections		
• solid	1x (0.5 ... 1.5 mm ²), 2x (0.5 ... 0.75 mm ²)	
• finely stranded with core end processing	1x (0.5 ... 1.5 mm ²), 2x (0.5 ... 0.75 mm ²)	
• for AWG cables solid	1x (20 ... 16), 2x (20 ... 18)	
• for AWG cables stranded	1x (20 ... 16), 2x (20 ... 18)	
design of the interface for safety-related communication	without	
Communication/ Protocol		
design of the interface	without	
Safety related data		
product function suitable for safety function	Yes	
service life maximum	20 a	
test wear-related service life necessary	Yes	
proportion of dangerous failures		
• with low demand rate according to SN 31920	20 %	
• with high demand rate according to SN 31920	20 %	
B10 value with high demand rate according to SN 31920	1 000 000	
failure rate [FIT] with low demand rate according to SN 31920	100 FIT	
ISO 13849		
device type according to ISO 13849-1	3	
IEC 61508		
safety device type according to IEC 61508-2	A	
Approvals Certificates		
General Product Approval	other	Environment



[Confirmation](#)

[Environmental Con-
firmations](#)



Further information

Information on the packaging

<https://support.industry.siemens.com/cs/ww/en/view/109813875>

Information for data generation and storage

<https://support.industry.siemens.com/cs/ww/en/view/109995012>

Information- and Downloadcenter (Catalogs, Brochures,...)

<https://www.siemens.com/ic10>

Industry Mall (Online ordering system)

<https://mall.industry.siemens.com/mall/en/en/Catalog/product?mlfb=3SE5122-0QV10>

Cax online generator

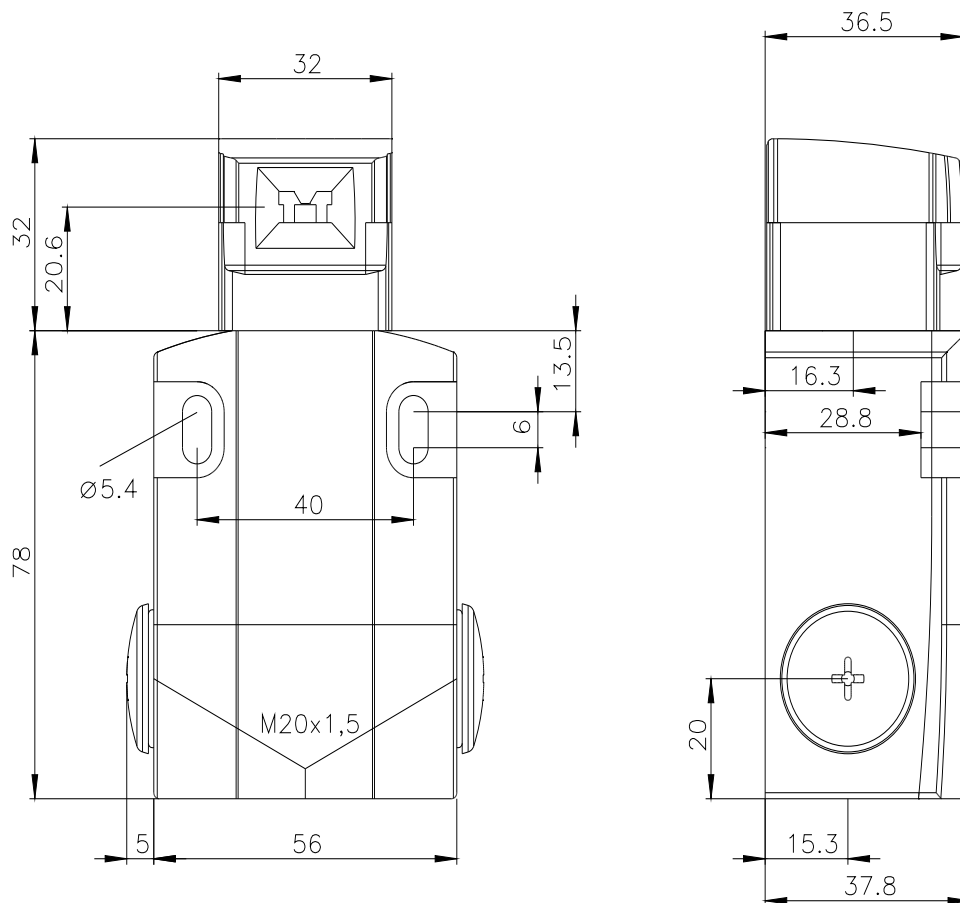
<https://support.automation.siemens.com/WW/CAXorder/default.aspx?lang=en&mlfb=3SE5122-0QV10>

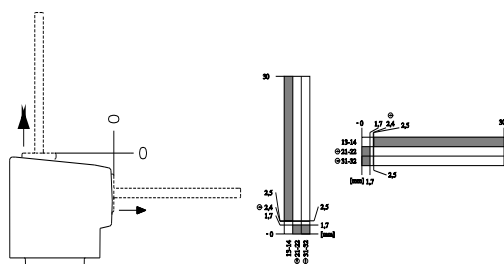
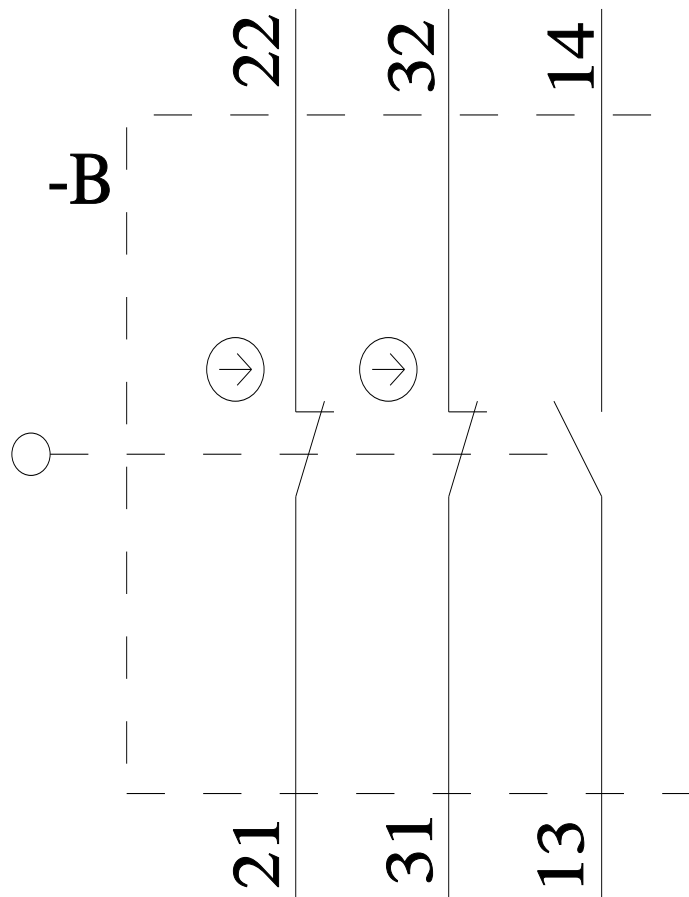
Service&Support (Manuals, Certificates, Characteristics, FAQs,...)

<https://support.industry.siemens.com/cs/ww/en/ps/3SE5122-0QV10>

Image database (product images, 2D dimension drawings, 3D models, device circuit diagrams, EPLAN macros, ...)

https://www.automation.siemens.com/bilddb/cax_de.aspx?mlfb=3SE5122-0QV10&lang=en





last modified:

4/4/2026 