

Door-coupling Size 12x 12, for 3KD



Model		
product brand name	SETRON	
product designation	door coupling	
design of the product	size 12x 12 mm	
size of cross-section of the shaft of door-coupling rotary operating mechanism	12x12 mm	
suitability for use	for door mounted rotary operator 3KD/3KF/3KC0 size 5	
Product details		
product description	without lighting	
product component		
• extension shaft	No	
Accessories		
accessories	Door coupling	
Mechanical Design		
height	90 mm	
width	50 mm	
depth	50 mm	
Net Weight	100 g	
Approvals Certificates		
Environment	General Product Approval	Maritime application

[Environmental Conformations](#)



### Further information

Information on the packaging

<https://support.industry.siemens.com/cs/ww/en/view/109813875>

Information for data generation and storage

<https://support.industry.siemens.com/cs/ww/en/view/109995012>

Information- and Downloadcenter (Catalogs, Brochures,...)

<https://www.siemens.com/lowvoltage/catalogs>

Industry Mall (Online ordering system)

<https://mall.industry.siemens.com/mall/en/en/Catalog/product?mifb=8UD1900-4HA00>

Service&Support (Manuals, Certificates, Characteristics, FAQs,...)

<https://support.industry.siemens.com/cs/ww/en/ps/8UD1900-4HA00>

Image database (product images, 2D dimension drawings, 3D models, device circuit diagrams, ...)

[https://www.automation.siemens.com/bilddb/cax\\_en.aspx?mifb=8UD1900-4HA00](https://www.automation.siemens.com/bilddb/cax_en.aspx?mifb=8UD1900-4HA00)

CAX-Online-Generator

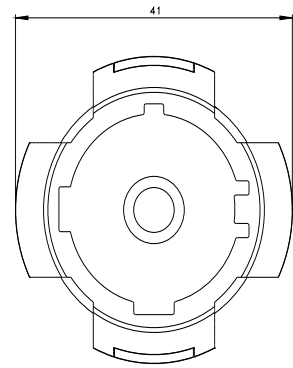
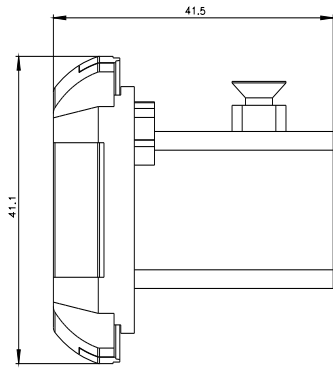
<https://www.siemens.com/cax>

Tender specifications

<https://www.siemens.com/specifications>

Characteristic curves

[https://curves.simaris.siemens.com/curves/<mmp\\_prod\\_noCOMP='HAUPT'></mmp\\_prod\\_no>](https://curves.simaris.siemens.com/curves/<mmp_prod_noCOMP='HAUPT'></mmp_prod_no>)



---

last modified:

4/4/2025 

