



LED module with integrated LED 230 V AC, green, screw terminal, for front plate mounting

<b>product brand name</b>	SIRIUS ACT
<b>product designation</b>	LED module
<b>product type designation</b>	3SU1
<b>General technical data</b>	
<b>product component</b>	
• diode	Yes
• lamp transformer	No
• light source	Yes
• series resistor	No
<b>insulation voltage rated value</b>	320 V
<b>degree of pollution</b>	3
type of voltage of the operating voltage	AC
• for actuation	AC
<b>surge voltage resistance rated value</b>	4 kV
consumed current maximum	20 mA
<b>protection class IP</b>	
• of the enclosure	IP40
• of the terminal	IP20
<b>shock resistance</b>	
• according to IEC 60068-2-27	sinusoidal half-wave 15 g / 11 ms
• for railway applications according to EN 61373	Category 1, Class B
<b>vibration resistance</b>	
• according to IEC 60068-2-6	10 ... 500 Hz: 5 g
• for railway applications according to EN 61373	Category 1, Class B
<b>operating period typical</b>	100 000 h
<b>reference code according to IEC 81346-2</b>	P
<b>Substance Prohibitance (Date)</b>	10/01/2014
<b>SVHC substance name</b>	2-methyl-1-(4-methylthiophenyl)-2-morpholinopropan-1-one CAS-No. 71868-10-5
<b>Net Weight</b>	9 g
<b>operating voltage 1</b>	
• at AC	
— at 50 Hz rated value	230 V
— at 60 Hz rated value	230 V
<b>relative positive tolerance of the operating voltage</b>	20 %
<b>relative negative tolerance of the operating voltage</b>	20 %

**Control circuit/ Control**

<b>inrush current maximum</b>	3 A
-------------------------------	-----

**Connections/ Terminals**

<b>type of electrical connection</b>	screw terminal
<b>type of connectable conductor cross-sections</b>	
<ul style="list-style-type: none"> <li>• solid with core end processing</li> <li>• solid without core end processing</li> <li>• finely stranded with core end processing</li> <li>• finely stranded without core end processing</li> <li>• for AWG cables</li> </ul>	2x (0.5 ... 0.75 mm <sup>2</sup> ) 2x (1.0 ... 1.5 mm <sup>2</sup> ) 2x (0.5 ... 1.5 mm <sup>2</sup> ) 2x (1.0 ... 1.5 mm <sup>2</sup> ) 2x (18 ... 14)
connectable conductor cross-section finely stranded with core end processing	0.5 ... 1.5 mm <sup>2</sup>
tightening torque with screw-type terminals	0.8 ... 0.9 N·m

**Lamp**

<b>type of light source</b>	LED
<b>color of the light source</b>	green
<b>light intensity</b>	900 ... 1 400 mcd

**ATEX**

<b>certificate of suitability</b>	
<ul style="list-style-type: none"> <li>• ATEX</li> <li>• IECEx</li> </ul>	No No

**Ambient conditions**

<b>ambient temperature</b>	
<ul style="list-style-type: none"> <li>• during operation</li> <li>• during storage</li> </ul>	-25 ... +70 °C -40 ... +80 °C
environmental category during operation according to IEC 60721	3M6, 3S2, 3B2, 3C3, 3K6 (with relative air humidity of 10 ... 95%, no condensation in operation permitted)

**Installation/ mounting/ dimensions**

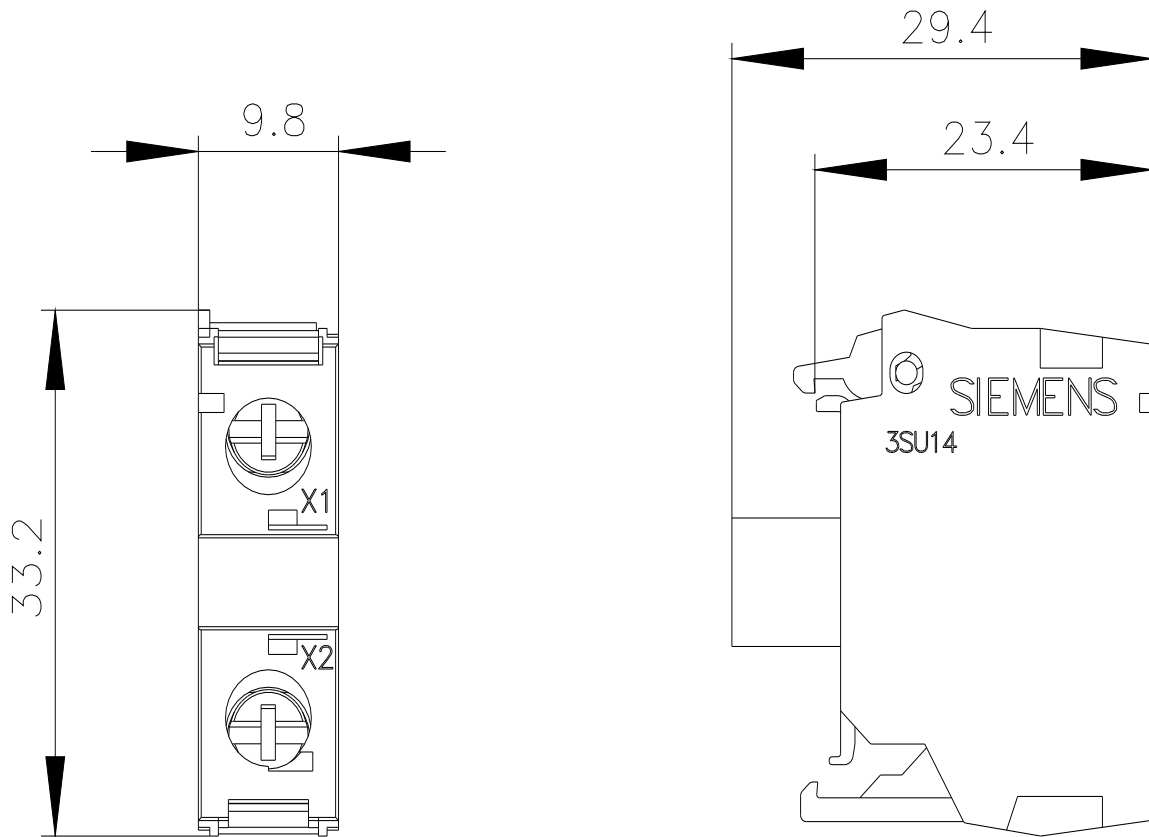
<b>fastening method</b>	
<ul style="list-style-type: none"> <li>• of modules and accessories</li> </ul>	Front plate mounting
<b>height</b>	33.2 mm
<b>width</b>	9.8 mm
<b>depth</b>	29.4 mm

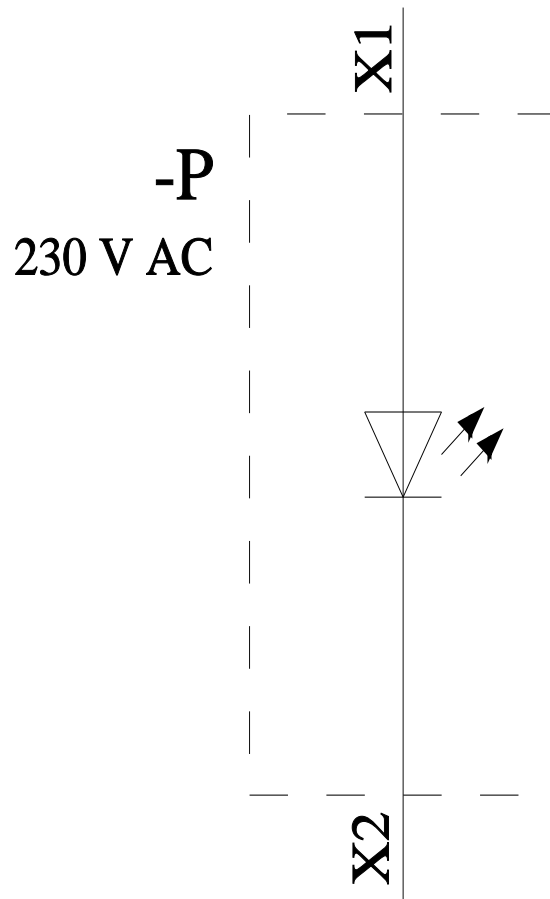
**Approvals Certificates**

Environmental Product Declaration	
<ul style="list-style-type: none"> <li>• global warming potential [CO<sub>2</sub> eq] / during manufacturing</li> <li>• global warming potential [CO<sub>2</sub> eq] / during operation</li> <li>• global warming potential [CO<sub>2</sub> eq] / after end of life</li> <li>• global warming potential [CO<sub>2</sub> eq] / total</li> </ul>	0.566 kg 0.235 kg -0.0145 kg 0.787 kg

**Environment** **General Product Approval**[Environmental Conformations](#)**Maritime application** **other****Further information**

Information on the packaging  
<https://support.industry.siemens.com/cs/ww/en/view/109813875>  
 Information for data generation and storage  
<https://support.industry.siemens.com/cs/ww/en/view/109995012>  
 Information- and Downloadcenter (Catalogs, Brochures,...)  
<https://www.siemens.com/ic10>  
 Industry Mall (Online ordering system)





last modified:

4/4/2026 